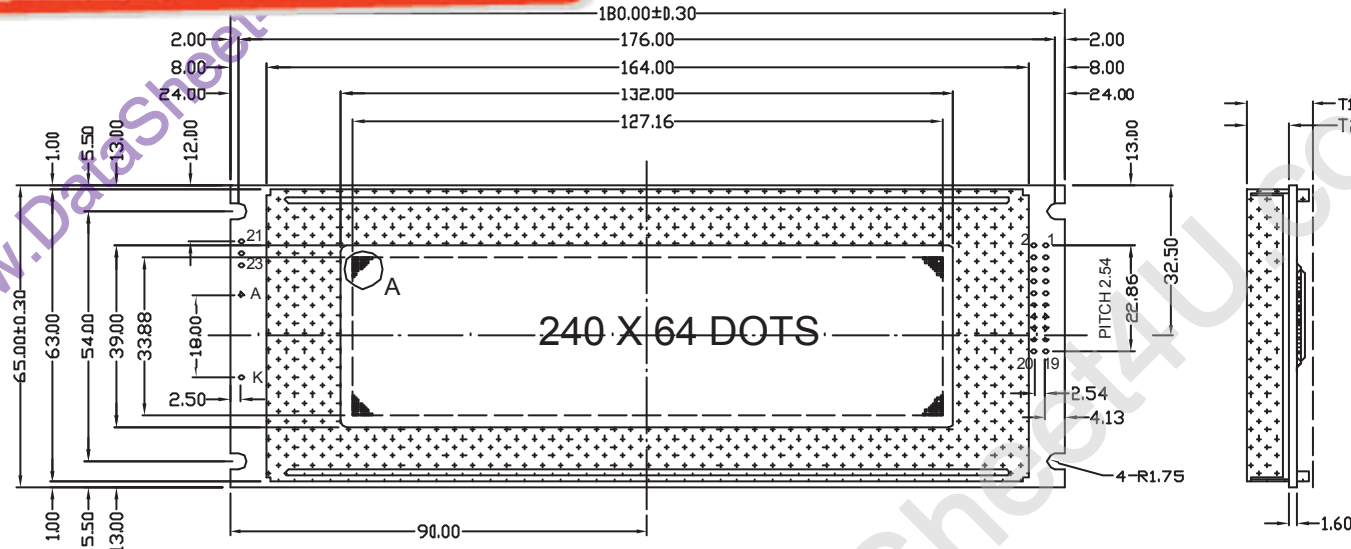


液晶之友 电话: 020-33819057  
 Http://www.ledfriends.com



\* FOR LED BACKLIGHT  
 TH1=14.0MAX TH2=9.0MAX  
 \* FOR EL OR NO BACKLIGHT  
 TH1=11.0MAX TH2=6.0MAX

REVISIONS

NO.	DATE	BY	DESCRIPTION
1	01/06/18	A.CH	NEW RELEASE

PINS ASSIGNMENT		
NO.	SYMBOL	DESCRIPTION
1	FG	FRAME GROUND
2	VSS	GROUND
3	VDD	POWER SUPPLY FOR LOGIC AND LCD
4	V0	OPERATING VOLTAGE FOR LCD
5	WR	DATA WRITE
6	/RD	DATA READ
7	/CE	CHIP ENABLE FOR T6963C
8	C/D	COMMAND/DATA SELECTION
9	NC	NO CONNECT
10	/RST	RESET T6963C (LOW EFFECTIVE)
11-18	DB0-DB7	DATABUS
19	FS	FONT SELECTION (L:8X8, H:6X8)
20	VEE	ON CHIP DC/DC OUTPUT(-10V)
21	A	LED POWER SUPPLY(+)
22	NC	NO CONNECTION
23	K	LED POWER SUPPLY(-)

ABSOLUTE MAXIMUM RATING				
ITEM	SYMBOL	MIN	MAX	UNIT
POWER SUPPLY(LOGIC)	VDD-VSS	0	6.5	V
POWER SUPPLY(LCD DRV.)	VDD-V0	0	18.0	V
INPUT VOLTAGE	Vi	Vi	VDD	V

ELECTRICAL CHARACTERISTICS					
ITEM	SYMBOL	MIN	TYP	MAX	UNIT
VOLTAGE FOR LOGIC	VDD-VSS	4.75	5.0	5.25	V
SUPPLY CURRENT	IDD	-	8.7	-	mA
LCD OPERATING VOLTAGE	OC	-	12.5	-	V
	25C	-	11.5	-	V
	40C	-	10.5	-	V
INPUT VOLTAGE	H	VH	0.7VDD	-	VDD
	L	ViL	0	-	0.3VDD

MECHANICAL SPECIFICATIONS		
ITEM	SPECIFICATION	UNIT
OVERALL SIZE	180.0W x 65.0H x 14.0T(11.0T)	MM
VIEWING AREA	132.0W x 39.0H	MM
DOT NUMBER	240 x 64	DOTS
DOT SIZE	0.49W x 0.49H	MM
DOT PITCH	0.53W x 0.53H	MM

OPTIONS	
1.	LCD TYPE: Y/G STN; GRAY STN; B/W FSTN
2.	BACKLIGHT: WITHOUT BACKLIGHT; LED; EL
3.	COLOR OF BACKLIGHT: Y/G; BLUE; WHITE
4.	TEMPERATURE RANGE: NORMAL (0-50C); EXTENDED (-20-70C)
5.	POWER SUPPLY: ON BOARD DC/DC(SINGLE 5.0V); DUAL POWER SUPPLY(5.0V & -10.0V)
6.	VIEWING ANGLE: 6H; 12H

