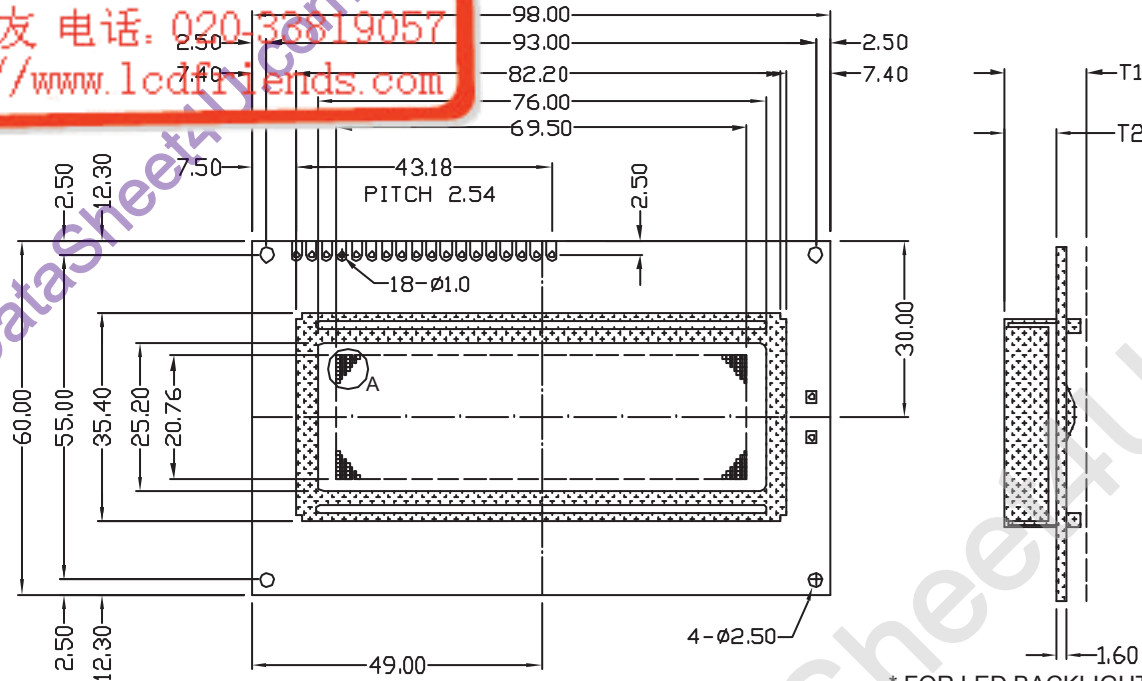


液晶之友 电话: 020-36619057
 Http://www.lcdfriends.com



REVISIONS			
NO.	DATE	BY	DESCRIPTION
1	01/06/18	A.CH	NEW RELEASE

PINS ASSIGNMENT		
NO.	SYMBOL	DESCRIPTION
1	VSS	GROUND
2	VDD	POWER SUPPLY FOR LOGIC AND LCD
3	V0	OPERATING VOLTAGE FOR LCD
4	A0	DATA/INSTRUCTION SELECT
5	E1	READ/WRITE ENABLE SIGNAL(MASTER)
6	E2	READ/WRITE ENABLE SIGNAL(SLAVE)
7-14	DB0-DB7	DATA BUS
15	A	POWER SUPPLY FOR LED BACKLIGHT(+)
16	K	POWER SUPPLY FOR LED BACKLIGHT(-)
17	R/W	READ/WRITE SELECT
18	/RST	RESET SIGNAL(LOW EFFECTIVE)

ABSOLUTE MAXIMUM RATING				
ITEM	SYMBOL	MIN	MAX	UNIT
POWER SUPPLY(LOGIC)	VDD-VSS	0	6.5	V
POWER SUPPLY(LCD DRV.)	VDD-V0	0	10.0	V
INPUT VOLTAGE	Vi	Vi	VDD	V

ELECTRICAL CHARACTERISTICS					
ITEM	SYMBOL	MIN	TYP	MAX	UNIT
VOLTAGE FOR LOGIC	VDD-VSS	4.75	5.0	5.25	V
SUPPLY CURRENT	IDD	-	300	500	uA
LCD OPERATING VOLTAGE	0C	-	6.2	-	V
	25C	-	5.8	-	V
	40C	-	5.6	-	V
INPUT VOLTAGE	H ViH	0.8VDD	-	VDD	V
	L ViL	0	-	0.2VDD	V

MECHANICAL SPECIFICATIONS		
ITEM	SPECIFICATION	UNIT
OVERALL SIZE	98.0W x 60.0H x 14.0T(10.0T)	MM
VIEWING AREA	76.0W x 25.2H	MM
DOT NUMBER	122 x 32	DOTS
DOT SIZE	0.53W x 0.61H	MM
DOT PITCH	0.57W x 0.65H	MM

- OPTIONS**
- LCD TYPE: Y/G STN; GRAY STN;
 - BACKLIGHT: WITHOUT BACKLIGHT; LED; EL
 - COLOR OF BACKLIGHT: Y/G; BLUE; WHITE
 - TEMPERATURE RANGE: NORMAL(0-50C); EXTENDED(-20-70C)
 - POWER SUPPLY: ON BOARD DC/DC(SINGLE 5.0V); DUAL POWER SUPPLY(5.0V & -5.0V)
 - VIEWING ANGLE: 6H; 12H

* FOR LED BACKLIGHT
 T1=14.0MAX T2=9.0±0.3
 * FOR EL OR NO BACKLIGHT
 T1=11.0MAX T2=6.0±0.3

