



PL-6313

Single-Chip GPS Baseband Processor

OVERVIEW

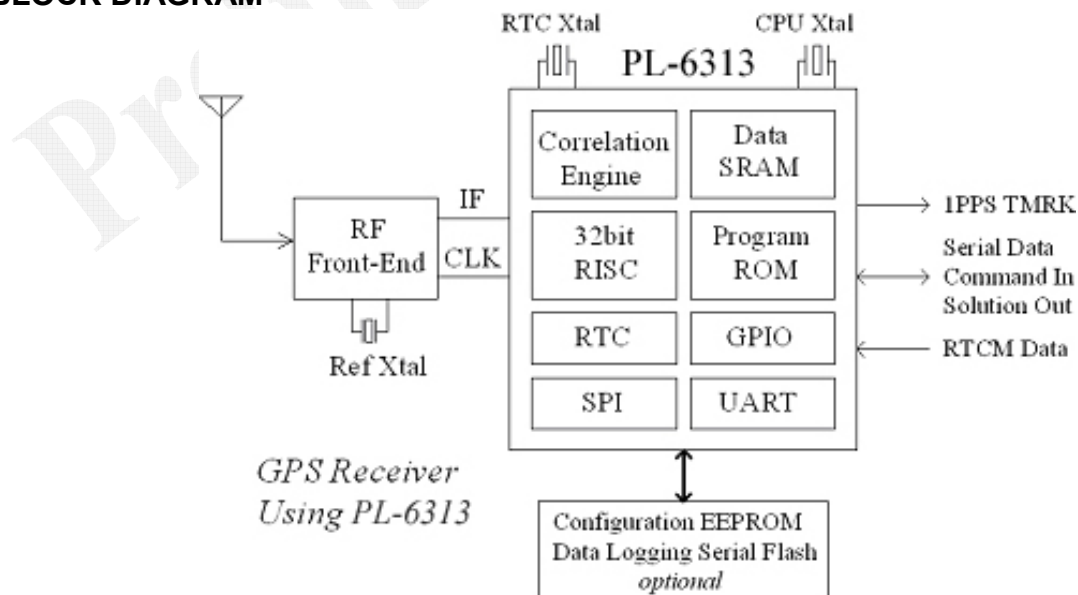
The PL-6313 is a low-power single-chip baseband LSI for GPS application. It supports 12 parallel correlation channels, having 4000 time/frequency search bins, achieves fast signal lock-on to all visible satellite signals at power-up and reacquisition. The sensitivity-enhanced architecture allows positioning in severe environments such as under foliage and urban canyons. The PL-6313 incorporates power management features to lower power consumption. Unused portion of the circuitry is turned-off dynamically. Software commands allow controlling of PL-6313's low-power features according to application requirements.

The PL-6313 works with available RF front-ends such as SiGe SE4100L and NEC uPB1007K. A complete GPS receiver system can be formed using just two chips and a few discrete passive components. The PL-6313 enables realization of low-power GPS receiver solution within a very small footprint. Having a small package dimension and low power consumption, the PL-6313 is ideal for use in all applications requiring GPS-enabled location awareness.

FEATURES

- Low power consumption < 50mW
- 5-stage pipeline 32bit RISC CPU
- On-chip program and data memory
- 12 parallel GPS signal processing channels
- Fast acquisition with 4000 time/frequency search bins
- WAAS / EGNOS SBAS correction
- Wireless A-GPS support
- Hot-start time-to-first-fix < 5sec
- Cold-start time-to-first-fix < 45sec
- Acquisition sensitivity better than -140dBm
- Tracking sensitivity better than -150dBm
- Compatible with available GPS RF front-ends
- UART / SPI / GPIO interface
- On-chip real-time clock
- Core voltage 1.8V, I/O voltage 3.3V
- 0.18um CMOS technology
- 0.8mm pitch 10mm x 10mm TFBGA128 package
- Operating temperature from -40°C to +85°C

BLOCK DIAGRAM



Prolific Technology Inc.

7F, #48, Sec.3, Nan-Kang Rd., Taipei, Taiwan 115, ROC
 Tel: 886-2-2654-6363 Fax: 886-2-2654-6161
 E-mail: sales@prolific.com.tw
<http://www.prolific.com.tw>

TECHNICAL SPECIFICATIONS

Receiver Type	12 Channel, L1 Frequency, C/A Code	
Accuracy	Position	10m autonomous
		5m WAAS
		3m DGPS
	Velocity	0.1m/sec stand-alone 0.05m/sec DGPS
	Time	+/-500nsec
Startup Time	Hot Start < 5sec	
	Warm Start < 35sec	
	Cold Start < 45sec	
Sensitivity	Acquisition better than -140dBm	
	Tracking better than -150dBm	
Reacquisition	< 1sec	
Dynamics	< 4G	
Operating Limit	Altitude	-1,000m to 18,000m
	Velocity	500m/sec
Protocol	NMEA-0183 v3.01	
	Prolific Private	
Interface	GPIO, SPI, UART	
Power	Less than 50mW	
Voltage	Core 1.8V, I/O 3.3V	
Package	0.8mm pitch	10mm x 10mm TFBGA128
		9mm x 9mm LQFP-64

APPLICATIONS

- Global Positioning System Receivers
- Car / Marine Navigation System
- Fleet Management System
- Vehicle Locating Systems
- Personal Locator Device
- Timing Reference
- Asset Tracking
- Smart Phone
- PDA

Information provided by Prolific is believed to be accurate and reliable. These materials are provided by Prolific as a service to its customers and may be used for informational purposes only. Prolific assumes no responsibility for errors or omissions in these materials, nor for its use. Prolific reserves the right to change specification at any time without notice.

Prolific products are not intended for use in medical, life-support devices, or applications involving potential risk of death, personal injury, or severe property damage in case of failure of the product.

Prolific Technology Inc.

7F, #48, Sec.3, Nan-Kang Rd., Taipei, Taiwan 115, ROC
Tel: 886-2-2654-6363 Fax: 886-2-2654-6161
E-mail: sales@prolific.com.tw
<http://www.prolific.com.tw>