

VDSL Micro-Filter DT60-1017A

Features:

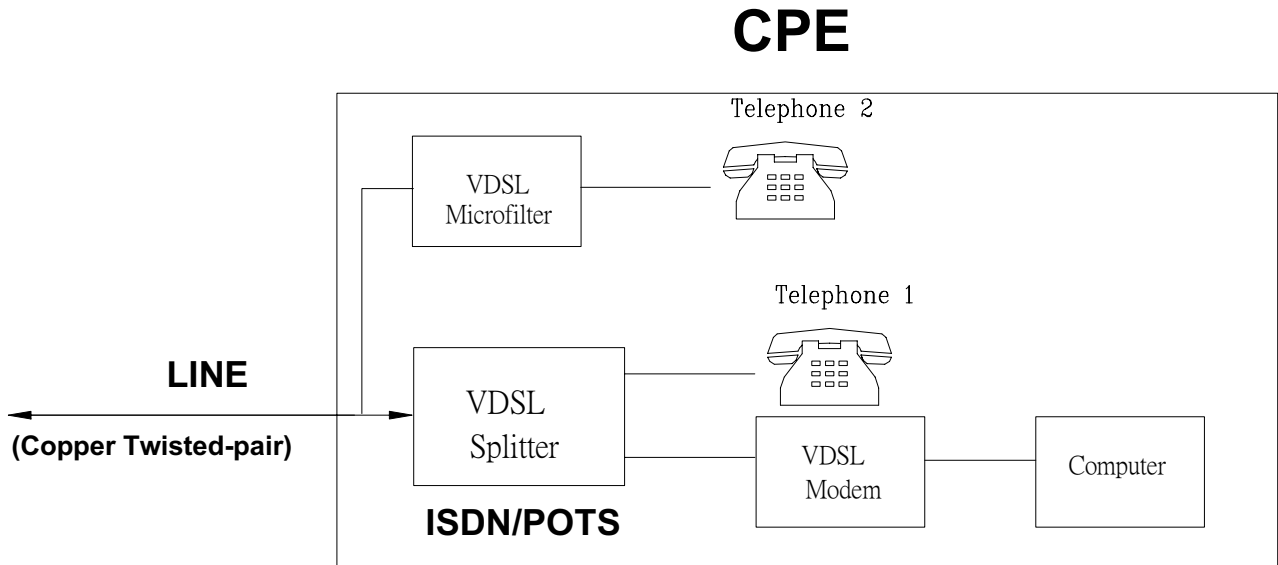
- Design Meet UL1950, UL94V-0
- Using connector RJ-11 for one line.
- Operating temperature range -10°C to $+55^{\circ}\text{C}$.
- Designed for implementation of VDSL CPE application.
- Provides excellent isolation between VDSL and ISDN or POTS.
- Matched to Infineon technologies VDSL solution.
- VDSL Frequency band 900K Hz to 8M Hz.

Description:

This document contains the requirements for VDSL Filter Recommendations. The POTS/ISDN splitter on the CPE side is a low pass filter, which separates the POTS/ISDN services from the VDSL bands. The VDSL Filter separates the VDSL frequency range. Target is to suppress outland noise. Protection from the high-frequency transients and voiceband service, the LPF provide protection from VDSL signals, which may impact through non-linear or other effects, remote devices (handset, fax, voiceband, modem, etc.) and central office operation.

VDSL Micro-Filter DT60-1017A

Block Diagram



This shows a typical VDSL splitter application.

VDSL Micro-Filter DT60-1017A

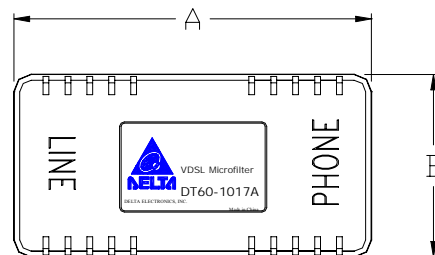
Electrical Characteristics:

The table shows the entire electrical requirement for the filter

TEST ITEM	DESCRIPTION
ATTENUATION	800KHz – 1MHz / MIN 20dB 1MHZ – 10MHz / MIN 35dB
ATTENUATIO DISTORTION (in ISDN band variation)	10KHz – 160KHz / MAX ± 1.5dB 160KHz – 320KHz / MAX ± 1.5dB
INSERTION LOSS	160KHz / MAX ± 1.0dB
DELAY DISTORTION	160KHz / MAX 10 us
RETURN LOSS	10KHz – 160KHz / MIN 15dB
OVER – VOLTAGE (TIP – RING)	(MIN 10 SEC) 120 VDC
DC RESISTANCE	MAX 2 Ω
LOOP DC CURRENT	20/90 DC mA

Mechanical Requirements

The filter dimension shows bellow.

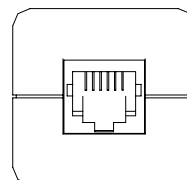
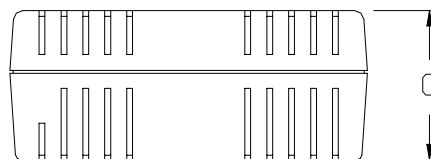


UNIT: mm

$$A = 78.00 \pm 0.50$$

$$B = 31.60 \pm 0.50$$

$$C = 22.00 \pm 0.50$$



VDSL Micro-Filter DT60-1017A

