

INTRODUCTION:

Adam Tech .050" IDC Sockets and transition plugs are low profile, precision designed flat cable connectors that feature either .050" x .100" centerlines or .050" x .050" centerlines. These series quickly and easily mass terminate flat cable in one simple step. Our superior contact design provides a smooth high pressure wiping action to ensure excellent continuity. They are used with a single layer of .025" flat cable. Their small size, light weight and high density make them ideal for compact and limited space applications.

FEATURES:

.050" x .050" or .050" x .100"
 Low Profile and High Density
 Uses Single layer .025" Flat Cable
 Quickly and easily mass terminates standard Flat Cable
 Smooth High Pressure Wiping Contacts

MATING CONNECTORS:

Adam Tech .050" HBHR series box headers or HPH2 series pin headers

SPECIFICATIONS:

Material:

Insulator: PBT, glass reinforced, rated UL94V-0
 Insulator Color: Black
 Contacts: Phosphor Bronze

Contact Plating:

Tin over copper underplate overall

Electrical:

Operating voltage: 250V AC max.
 Current rating: 1 Amp max.
 Contact resistance: 20 mΩ max. Initial
 Insulation resistance: 5000 MΩ min.
 Dielectric withstanding voltage: 1000V AC for 1 minute

Mechanical:

Insertion force: 0.312 lbs per contact max.
 Withdrawal force: 0.094 lbs per contact min.
 Recommended wire size: 28 Awg stranded
 Cable retention: 22 lbs. min axial force per inch.
 Mating durability: 500 cycles min.

Temperature Rating:

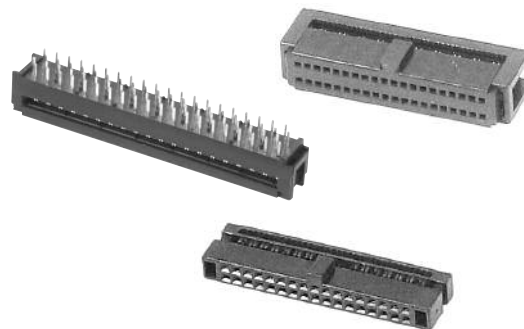
Operating temperature: -40°C to +105°C

PACKAGING:

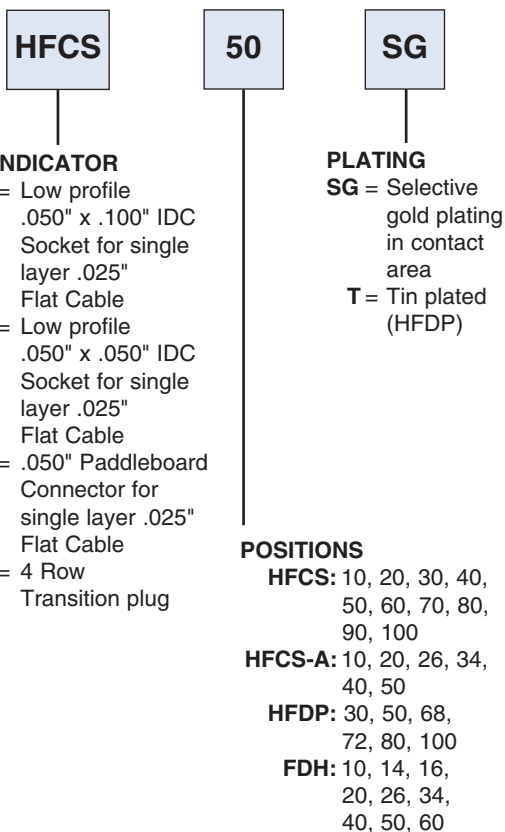
Anti-ESD plastic trays

SAFETY AGENCY APPROVALS:

UL Recognized File No. E224053
 CSA Certified File No. LR1578596



ORDERING INFORMATION



HFCS Strain Relief

Part No.:
 HFSR - XX
 (XX = No. of Positions)

OPTIONS

Add designator(s) to end of part number
N = No polarization bump (HFCS series)