

# KSC Series Sealed Tact Switch for SMT

## Features/Benefits

- Positive tactile feel
- Range of 6 actuation forces
- J or G terminations
- Tape & reel
- IP 67
- RoHS compliant and compatible

## Typical Applications

- Automotive
- Cellular phones
- Industrial electronics
- Network infrastructure and IT



## Specification

FUNCTION: momentary action  
CONTACT ARRANGEMENT: 1 make contact = SPST, N.O.  
TERMINALS: J bend & Gullwing type for SMT

## Mechanical

Type	Operating force FA <sup>1)</sup> Newtons (grams)	Operating life (operations)	Travel
KSC121J	1.85 (185)	200,000	0,3±0,15
KSC141J	3.0 (300)	200,000	0,3±0,15
KSC151J	5.5 (550)	100,000	0,35±0,15
KSC221J	2.0 (200)	500,000	0,35+0,30/-0,10
KSC241J	3.5 (350)	300,000	0,5±0,2
KSC321J	1.6 (160)	500,000	0,20+0,30/-0,0
KSC341J	3.0 (300)	300,000	0,20+0,30/-0,0
KSC351J	5.5 (550)	100,000	0,25+0,30-0,0
KSC401J50SH	1.1 (110)	5,000,000	0,35±0,15
KSC411J70SH	1.4 (140)	1,000,000	0,35+0,2/-0,2
KSC421J70SH	1.7 (170)	1,000,000	0,50+0,25/-0,25
KSC441J70SH	3.2 (320)	300,000	0,75+0,25/-0,25
KSC621J	1.6 (160)	500,000	0,50±0,20
KSC641J	3.0 (300)	300,000	0,50±0,20
KSC421V	1.7 (170)	1,000,000	0,50+0,25/-0,25
KSC621V	1.7 (170)	100,000	0,50±0,20

1) Tolerances of operating force FA is ± 25%.

A detect switch version is available KSC4D1J and KSC4D1G.  
Please see Detect chapter, page F-7.

## Electrical

	Silver	Gold
MAXIMUM POWER:	1 VA	0.2 VA
MAXIMUM VOLTAGE:	32 VDC	32 VDC
MINIMUM VOLTAGE:	20 mV	20 mV
MAXIMUM CURRENT:	50 mA	10 mA
MINIMUM CURRENT:	1 mA	1 mA
DIELECTRIC STRENGTH (50 Hz, 1 min.):	250 V	
CONTACT RESISTANCE:	< 100 mΩ	
INSULATION RESISTANCE (100 V):	> 10 <sup>9</sup> Ω	
BOUNCE TIME:	< 1 ms	

## Environmental

	Silver	Gold
OPERATING TEMPERATURE:	-40°C to 85°C	-40°C to 125°C
STORAGE TEMPERATURE:	-55°C to 85°C	-55°C to 125°C

## Process

SOLDERING: Compatible with the lead free soldering profile.

## Packaging

KSC1, KSC2 and KSC3 are delivered on continuous tape and reels of 2,000 pieces, KSC4 in reels of 1,000 pieces. KSC 6 in reels of 750 pieces. KSCV in boxes of 500 pieces. Dimensions of reels according to EIA RS481 or IEC 2863. External diameter 330 mm ± 2 mm.

**NOTE:** Specifications listed above are for switches with standard options.

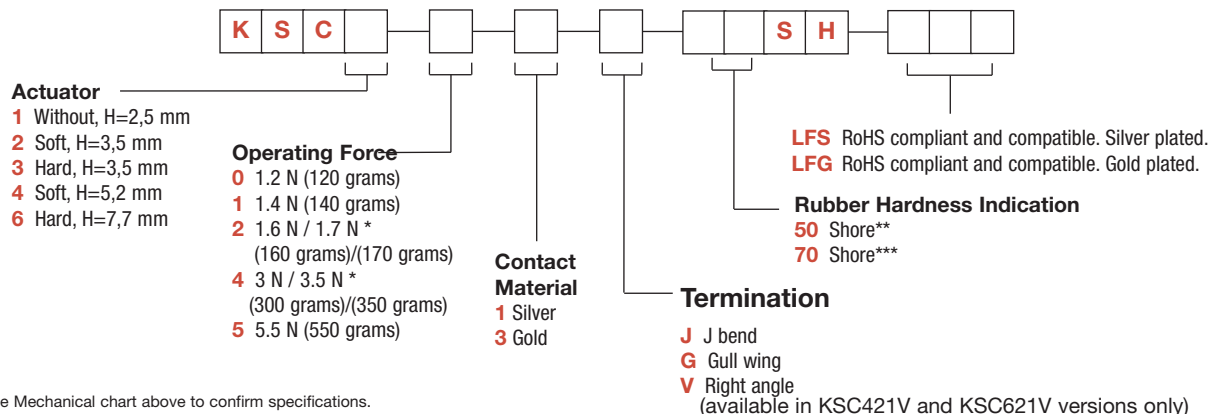
For information on specific and custom switches, consult Customer Service Center.

## How To Order

Our easy build-a-switch concept allows you to mix and match options to create the switch you need. To order, select desired option from each category and place it in the appropriate box.

**However, please note that all the combinations of these options are not feasible.**

**For any part number different from those listed above, please consult your local ITT representative.**



\* See Mechanical chart above to confirm specifications.

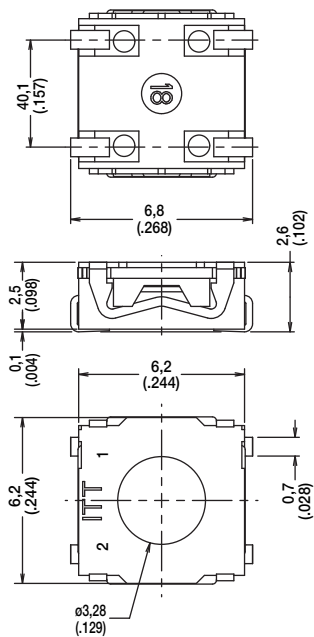
\*\* Applies to KSC401J50SH only.

\*\*\* Applies to KSC 411J70SH, KSC421J70SH, KSC441J70SH

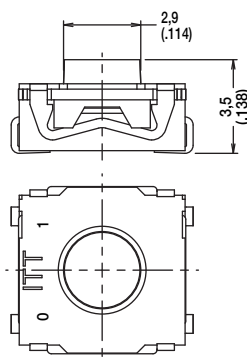
# KSC Series Sealed Tact Switch for SMT

## ACTUATOR

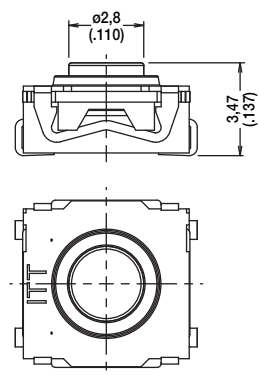
**KSC1** WITHOUT, 2.5 mm HIGH



**KSC2** SOFT, 3,5 mm HIGH

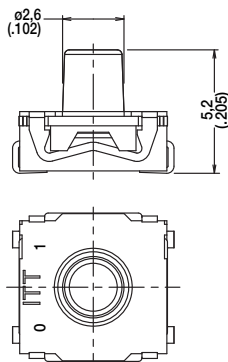


**KSC3** HARD, 3,5 mm HIGH



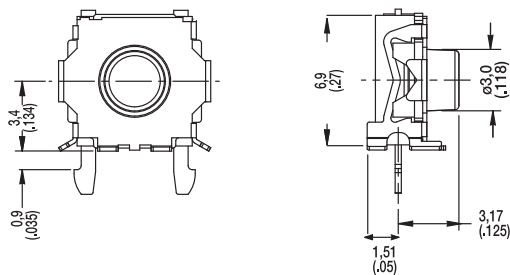
**KSC4** SOFT, 5,2 mm HIGH

**NOTE:** KSC4 standard silicone material is 70 shore, the only exception is KSC401J which is 50 shore.

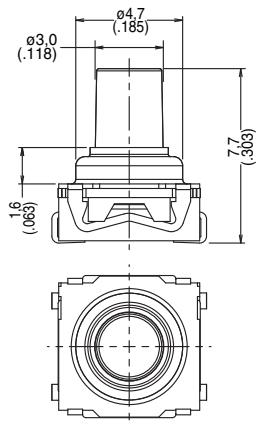


**KSC4** KSC421V ONLY

**NOTE:** KSC421V requires metalized holds for simultaneous reflow soldering of switch terminals and bracket terminals.

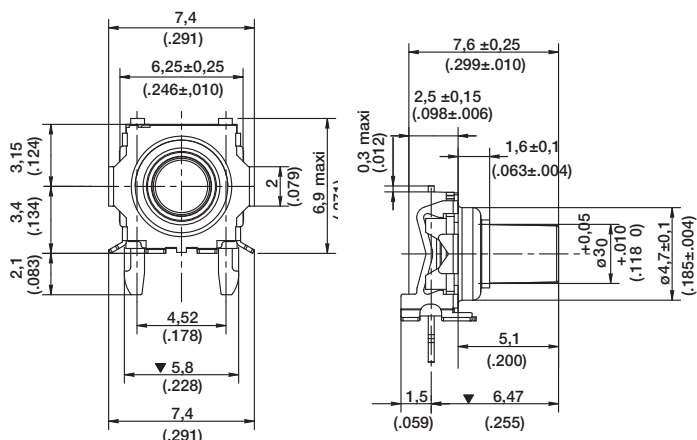


**KSC6** HARD, 7,7 mm HIGH



**KSC6** KSC621V ONLY

**NOTE:** KSC621V requires metalized holds for simultaneous reflow soldering of switch terminals and bracket terminals.



Dimensions shown in: mm (inch)  
Specifications and dimensions subject to change

[www.ittcannon.com](http://www.ittcannon.com)

# KSC Series Sealed Tact Switch for SMT

## OPERATING FORCE

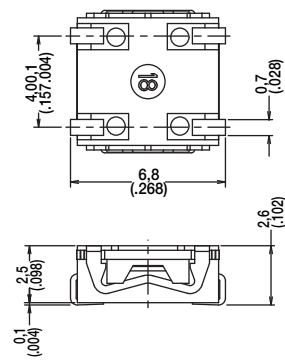
OPTION CODE	OPERATING FORCE
0	1.2 N (120 grams)
1	1.4 N (140 grams)
2	1.6 N / 1.7 N (160/170 grams)
4	3 N / 3.5 N (300/350 grams)
5	5.5 N (550 grams)

## CONTACT MATERIAL

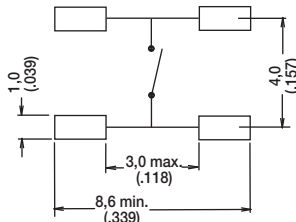
OPTION CODE	MATERIAL
1	SILVER
3	GOLD

## TERMINATION

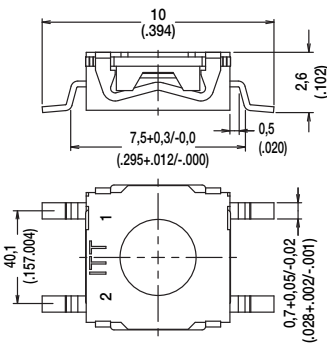
### J J BEND



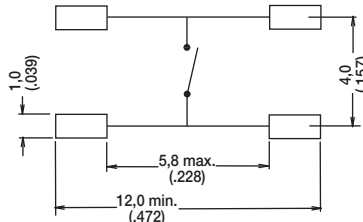
#### PAD LAYOUT



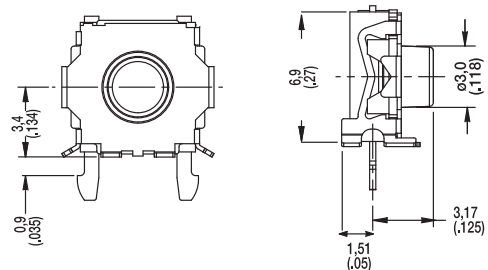
### G GULLWING



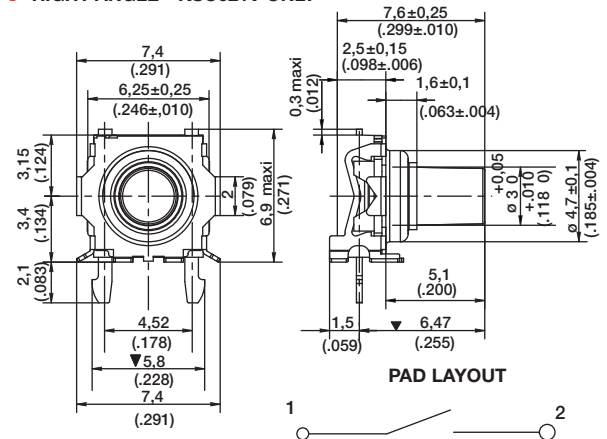
#### PAD LAYOUT



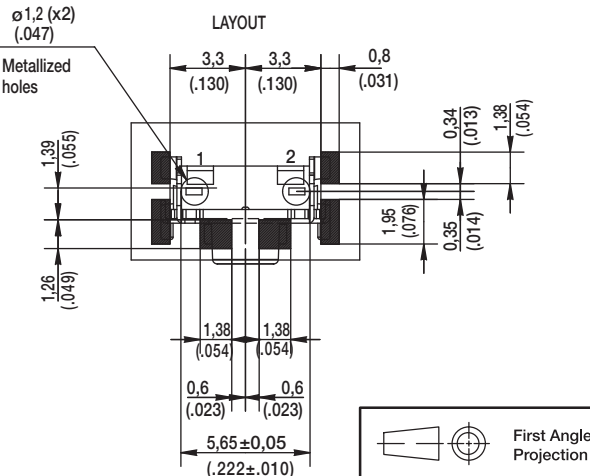
### V RIGHT ANGLE - KSC421V ONLY



### V RIGHT ANGLE - KSC621V ONLY



#### PAD LAYOUT



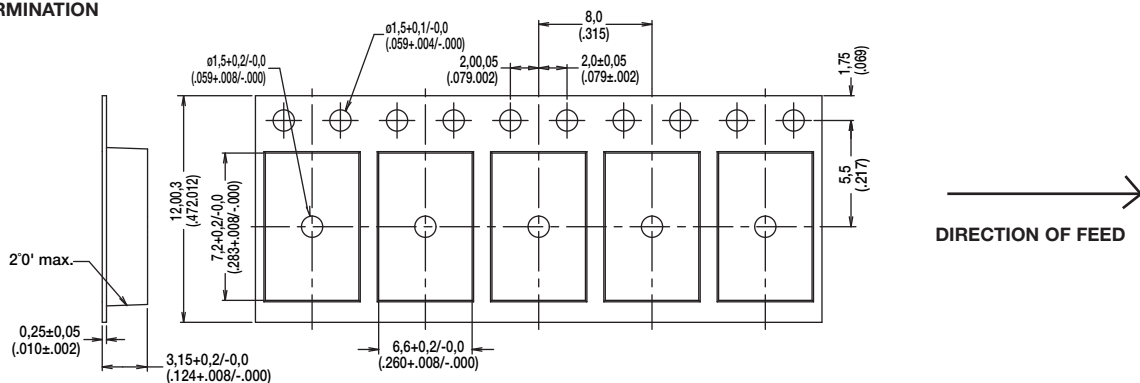
Dimensions shown in: mm (inch)  
Specifications and dimensions subject to change

www.ittcannon.com

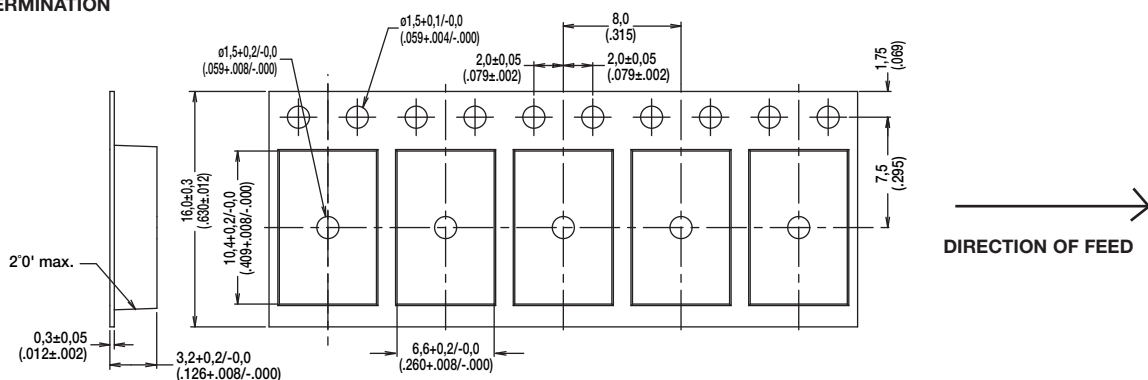
# KSC Series Sealed Tact Switch for SMT

## TAPE & REEL

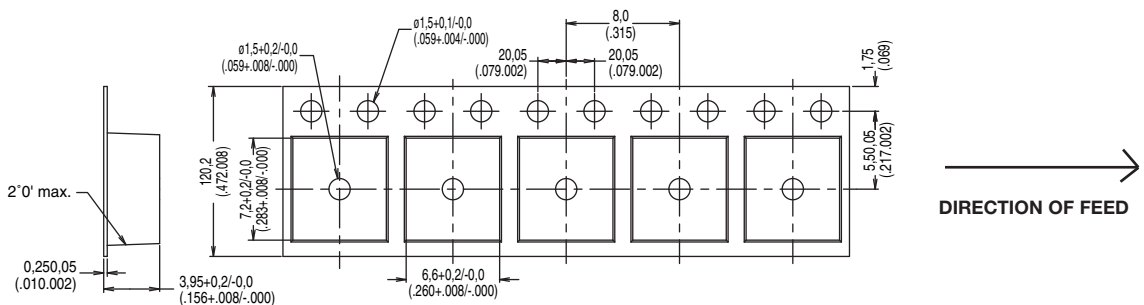
FOR KSC1 J TERMINATION



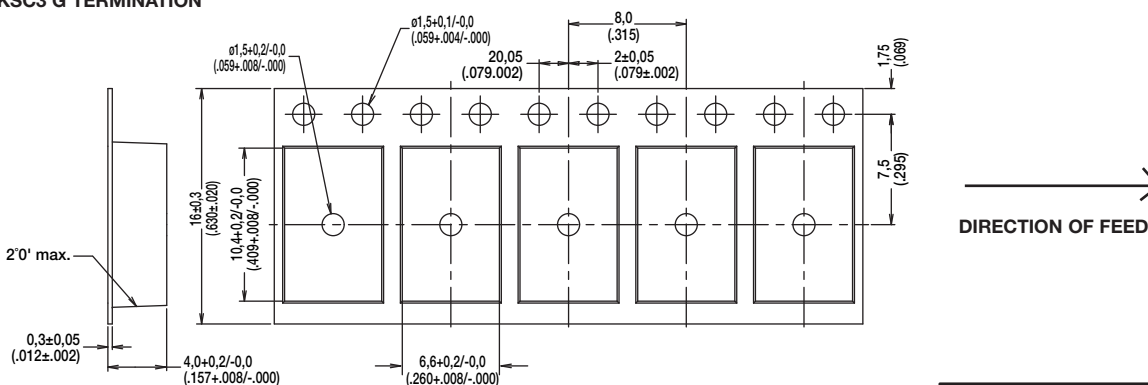
FOR KSC1 G TERMINATION



FOR KSC2 & KSC3 J TERMINATION



FOR KSC2 & KSC3 G TERMINATION

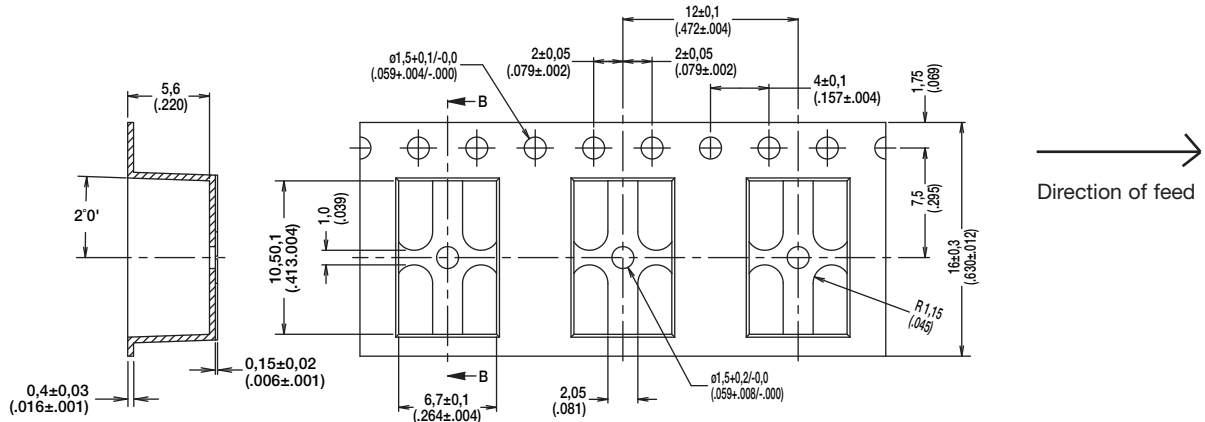


Dimensions shown in: mm (inch)  
Specifications and dimensions subject to change

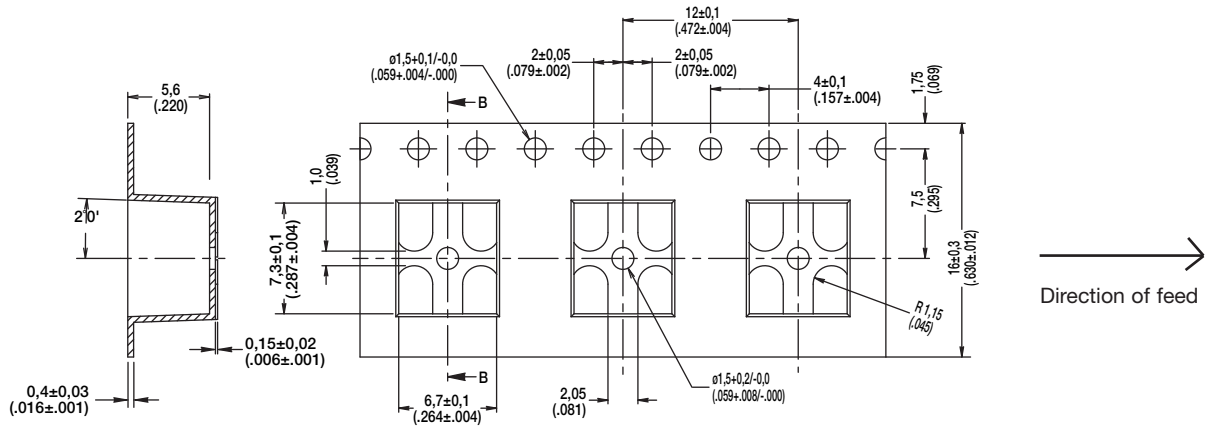
www.ittcannon.com

## TAPE & REEL

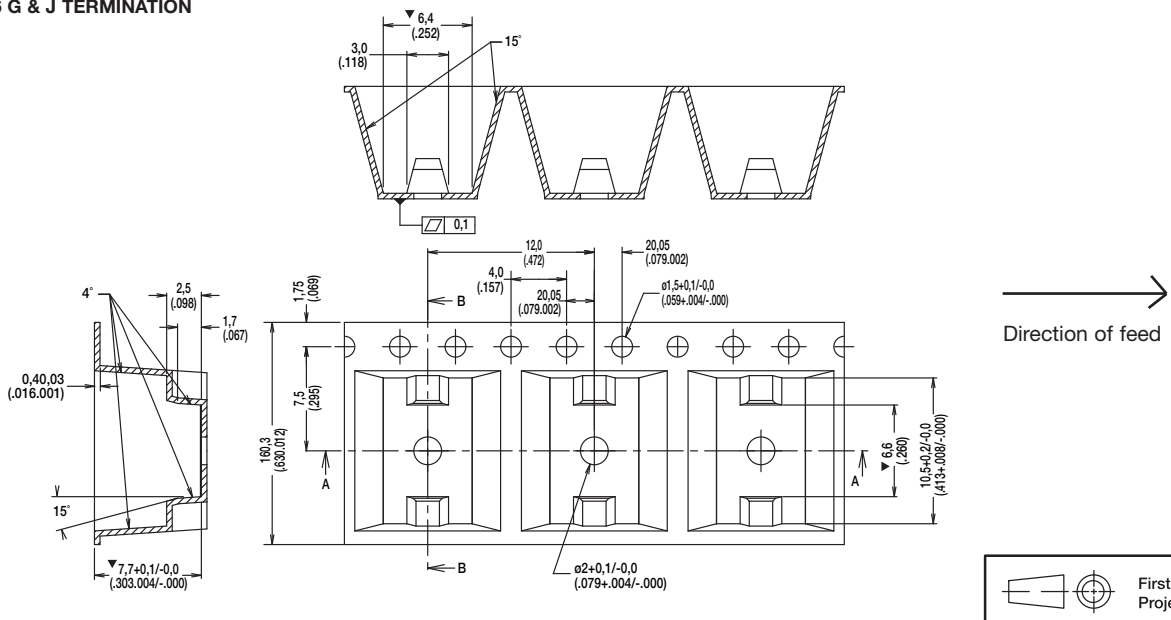
### FOR KSC4 FOR G TERMINATION



### FOR KSC4 FOR J TERMINATION



### FOR KSC6 G & J TERMINATION



Dimensions shown in: mm (inch)  
Specifications and dimensions subject to change