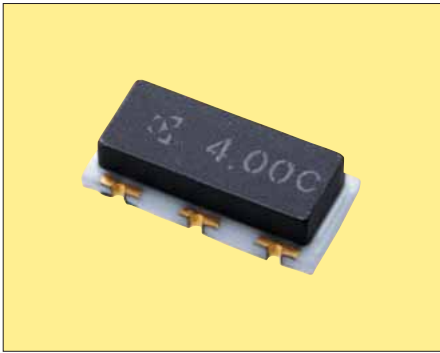


for Automotive



RoHS Conforming

Features

- Miniature & low profile
- Rectangular shape allows easy pick and placement
- Component cost and space saving
- High density mounting possible
- Reflow solderable & washable
- High reliability, high temperature operating with ceramic case

Applications

- Automotive
- ABS
- ECU
- Air-Bag System

How to Order

PBRV 15.00 H R 10 Y 0AB
① ② ③ ④ ⑤ ⑥ ⑦

- ① Series (PBRV: Automotive)
- ② Frequency (MHz)
- ③ Type (H,M)
- ④ Packing _ Bulk (Null) R Reel

⑤ Frequency Tolerance at 25°C

10	±0.1%	20	±0.2%
30	±0.3%	40	±0.4%
50	±0.5%	70	±0.7%

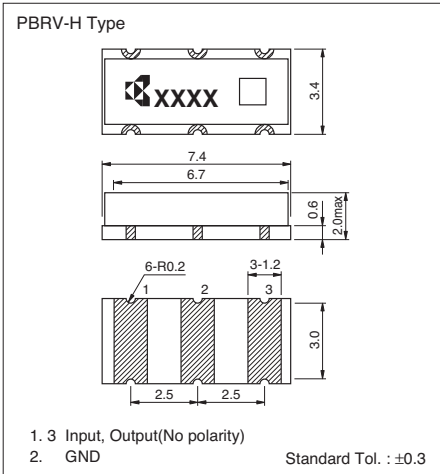
⑥ Operating temperature

X	-40 / 85°C	Y	-40 / 125°C
Z	-40 / 150°C		

⑦ Unique code

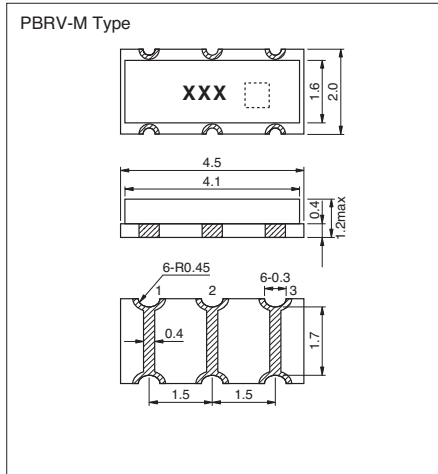
Dimensions

(Unit : mm)

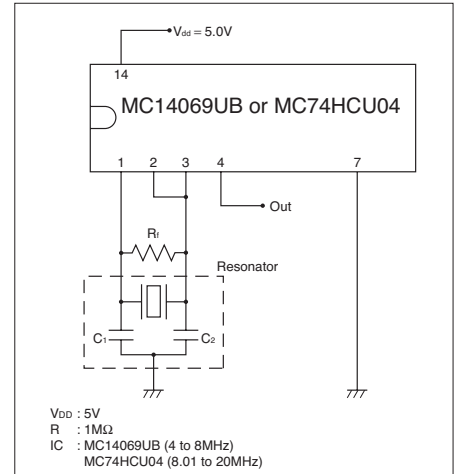


#	Pin #
1	Input
2	Ground
3	Output

(Unit : mm)



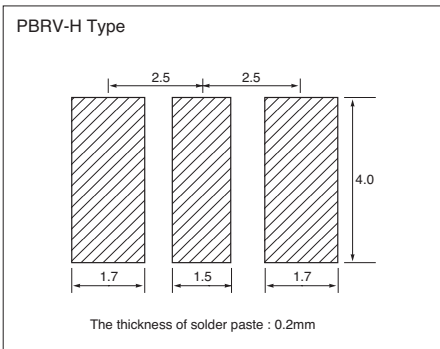
Test Circuit



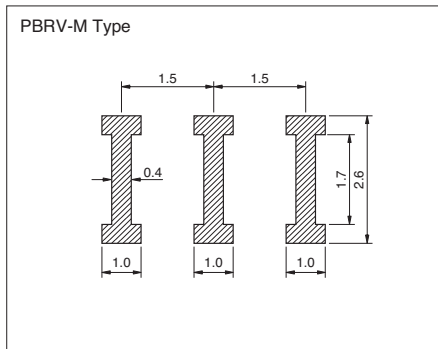
Notice
Please refer to IC Application Guide on our WEB site for IC matching.

Recommended Land pattern

(Unit : mm)



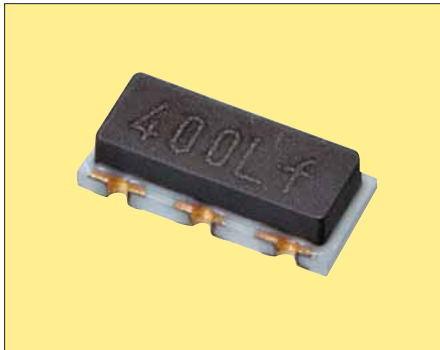
(Unit : mm)



Specifications

Series	Frequency Range(MHz)	Frequency Tolerance(25°C)	Temperature Stability
PBRV-H	4.00 to 8.00	±0.5% (op. ±0.3%)	Y: ±0.5%(-40 to +125°C) Z: ±0.5%(-40 to +150°C)
PBRV-M	8.01 to 20.00	±0.7% (op. ±0.5%)	Y: ±0.1%(-40 to +125°C) Z: ±0.2%(-40 to +150°C)

Please contact our local sales office if you need without capacitor type and tight frequency tolerance type for CANBUS Application.



RoHS Compliant

Features

- Improved frequency tolerance for CANBUS Application of Automotive

How to Order

PBRV 15.00 H R 10 Y 0AB
① ② ③ ④ ⑤ ⑥ ⑦

① Series (PBRV: Automotive)
(PBRC: Consumer)

② Frequency (MHz)

③ Type(H,M)

④ Packing _ Bulk
(Null)

R Reel

⑤ Frequency Tolerance at 25°C

10	±0.1%	20	±0.2%
30	±0.3%	40	±0.4%
50	±0.5%	70	±0.7%

⑥ Operating temperature

X	-40 / 85°C	Y	-40 / 125°C
Z	-40 / 150°C		

⑦ Unique code

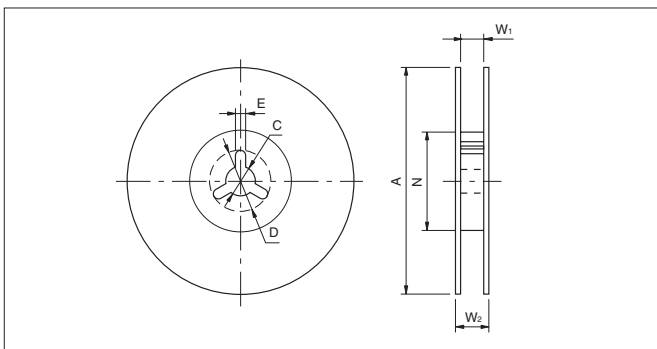
Specifications

Series	PBRV-HR/MR	PBRV-HR/MR	PBRC-HR/MR	PBRC-HR/MR
Part Number	PBRV-HR/MR 10Y□□□	PBRV-HR/MR 10Y□□□	PBRC-HR/MR 10X□□□	PBRC-HR/MR 10Y□□□
Operating Temperature Range	-40 to +125°C	-40 to +125°C	-40 to +85°C	-40 to +85°C
Frequency Range	4.0 to 7.9MHz	8.0 to 20.0MHz	4.0 to 7.9MHz	8.0 to 20.0MHz
Initial+Temperature	±0.3%	±0.2%	±0.3%	±0.2%
Aging	±0.1%	±0.1%	±0.1%	±0.1%
Total Frequency Tolerance	±0.4%	±0.3%	±0.4%	±0.3%

Dimensions: See each page for each series.
Aging: 10 years at 25°C

Packaging

Reel

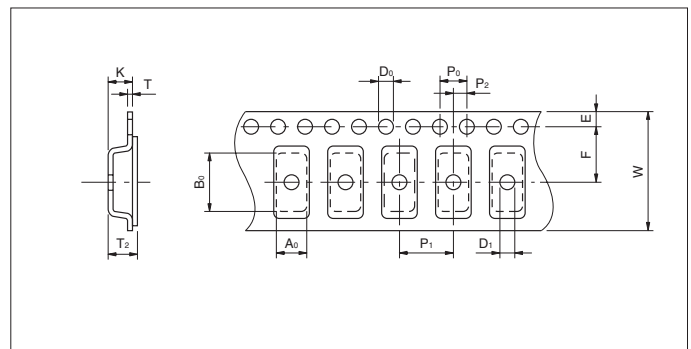


2,000pcs/Reel

Code	A	N	W ₁	W ₂
	250±2.0	80±2.0	16.5 ^{+1.1} _{-0.0}	23.6max
	180 ⁺³ ₀	60 ⁺¹ ₀	13.0±0.3	15.4±1
Code	C	D	E	
	13.0±0.5	21.0±0.8	2.0±0.5	
	13.0±0.2	21.0±0.8	2.0±0.5	

* Upper line shows external dimensions 7.4×3.4×2.0mm
Lower line shows external dimensions 4.5×2.0×1.2mm
7.4×3.4×2.0mm=PBRC-G, PBRC-H, PBRV-G, PBRV-H
4.5×2.0×1.2mm=PBRC-L, PBRC-M, PBRV-L, PBRV-M

Taping



Code	A ₀	B ₀	W	F	E	P ₁
	3.80±0.1	7.80±0.1	16.00±0.3	7.50±0.1	1.75±0.1	8.00±0.1
	2.20±0.1	4.70±0.1	12.00±0.2	5.5±0.05	1.75±0.1	4.00±0.1
Code	P ₀	D ₀	T	T ₂	K*	
	4.00±0.1	1.50 ^{+0.1} ₀	0.30±0.05	2.45±0.2	2.40±0.2	
	4.00±0.1	1.50 ^{+0.1} ₀	0.30±0.05	1.85max	1.80max	

* Upper line shows external dimensions 7.4×3.4×2.0mm
Lower line shows external dimensions 4.5×2.0×1.2mm
7.4×3.4×2.0mm=PBRC-G, PBRC-H, PBRV-G, PBRV-H
4.5×2.0×1.2mm=PBRC-L, PBRC-M, PBRV-L, PBRV-M