

# Hi-performance Regulator IC Series for PCs

## 2phase Switching Regulator Controllers for Graphic Card



No. 09030EBT19

### ●Description

BD95700MUV is a 2 phase switching regulator controller with high output current which can achieve low output voltage (0.4V ~ 3.3V) from AC/DC 5V or 12V. High efficiency for the switching regulator can be realized by utilizing an external N-MOSFET power transistor. A new technology called H<sup>3</sup>Reg™ is a Rohm proprietary control method to realize ultra high transient response against load change without phase compensation capacitance and resistance. For various applications, it is available to select the 3 types of N-MOSFET gate drive voltage (12V: for drive ability, 8V: for intermediate drive ability, 5V: for small real estate).

### ●Features

- 1) H<sup>3</sup>Reg™ Switching Regulator Controller without phase compensation capacitance and resistance
- 2) Ultra High Tolerance Internal Reference Voltage (+/- 1%)
- 3) Thermal Shut Down (TSD), Under Voltage LockOut (UVLO), Adjustable Over Current Protection (OCP), Over Voltage Protection (OVP), Short Circuit protection(SCP) built-in
- 4) Soft start function to minimize rush current during startup
- 5) Switching Frequency Variable (f=50kHz~1000kHz)
- 6) Internal Bootstrap Diode
- 7) High Tolerance Current Balance Function
- 8) VQFN024V4040 Package (4.0mm x 4.0mm x 1.0mm)
- 9) Integrated 1-/2-phase Switching Function

### ●Applications

Graphic Cards, Desktop PC, Gaming Equipments, Digital Components

### ●Maximum Absolute Ratings (Ta=25°C)

| Parameter                   | Symbol       | Limit             | Unit |
|-----------------------------|--------------|-------------------|------|
| Input Voltage 1             | VCC          | 15 <sup>*1</sup>  | V    |
| Input Voltage 2             | VIN          | 15 <sup>*1</sup>  | V    |
| Input Voltage 3             | VCCDRV       | 15 <sup>*1</sup>  | V    |
| Input Voltage 4             | 5VCC         | 7 <sup>*1</sup>   | V    |
| Input Voltage 5             | REFIN        | 7 <sup>*1*2</sup> | V    |
| Input Voltage 6             | BUSEN        | 7 <sup>*1</sup>   | V    |
| BOOT Voltage                | BOOT1, BOOT2 | 30 <sup>*1</sup>  | V    |
| BOOT-SW Voltage             | BOOT-SW      | 15 <sup>*1</sup>  | V    |
| UG-SW Voltage               | UG-SW        | 15 <sup>*1</sup>  | V    |
| SW Voltage                  | SW           | 15                | V    |
| Power Dissipation           | Pd1          | 0.34              | W    |
| Operating Temperature Range | Topr         | 0~+70             | °C   |
| Storage Temperature Range   | Tstg         | -55~+150          | °C   |
| Junction Temperature        | Tjmax        | +150              | °C   |

\*1 Do not to exceed Pd.

\*2 REFIN voltage can not go up higher than 5VCC voltage.

### ●Operating Conditions (Ta=25°C)

| Parameter              | Symbol              | MIN | MAX  | Unit |
|------------------------|---------------------|-----|------|------|
| Input Voltage 1        | VCC                 | 4.7 | 13.2 | V    |
| Input Voltage 2        | VIN                 | 3.3 | 13.2 | V    |
| Input Voltage 5        | REFIN               | 0.4 | 3.3  | V    |
| Input Voltage 6        | BUSEN               | 0   | 3.3  | V    |
| BOOT Voltage           | BOOT                | 4.5 | 27   | V    |
| BOOT-SW Voltage        | BOOT-SW             | 4.5 | 13.2 | V    |
| CS Input Voltage       | CS1-/CS1+/CS2-/CS2+ | 0.4 | 3.3  | V    |
| DROOP Setting Resistor | R <sub>DROOP</sub>  | 0   | 510k | Ω    |
| IOUT Setting Resistor  | R <sub>IOUT</sub>   | 0   | 5M   | Ω    |
| RT Setting Resistor    | R <sub>RT</sub>     | 10k | 510k | Ω    |

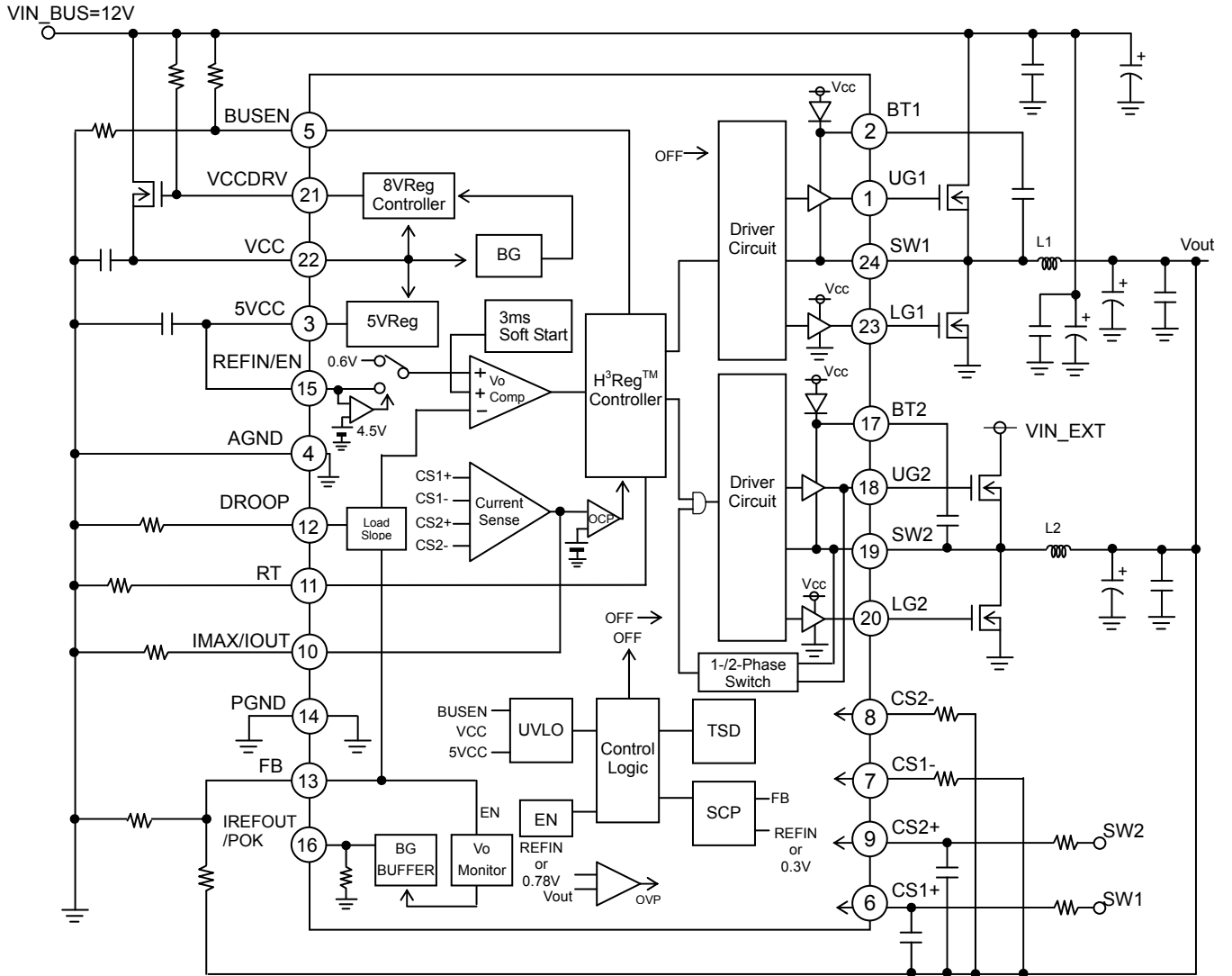
\* This product should not be used in a radioactive environment.

● ELECTRICAL CHARACTERISTICS (Unless otherwise noted, Ta=25°C, VCC=5V, VIN=12V, REF=1.2V, RT=100kΩ)

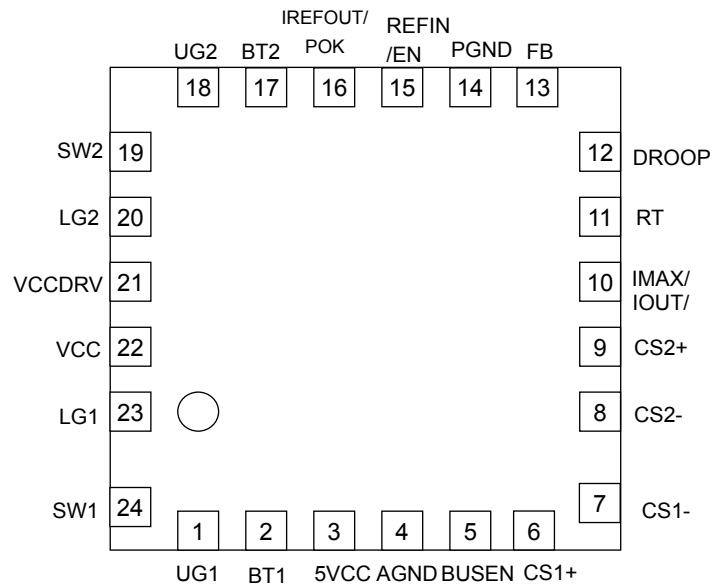
| Parameter                              | Symbol                         | Standard Value |             |                  | Unit | Condition               |
|----------------------------------------|--------------------------------|----------------|-------------|------------------|------|-------------------------|
|                                        |                                | MIN            | TYP         | MAX              |      |                         |
| [Total Block]                          |                                |                |             |                  |      |                         |
| Vcc Bias Current                       | I <sub>CC</sub>                | -              | 4           | 10               | mA   |                         |
| Vcc Standby Current                    | I <sub>STB</sub>               | -              | 1.5         | 2.0              | mA   |                         |
| [5Vcc Block]                           |                                |                |             |                  |      |                         |
| 5Vcc Output Voltage                    | 5V <sub>CC</sub>               | 4.9            | 5           | 5.1              | V    |                         |
| 5Vcc Output Current                    | I <sub>5V<sub>CC</sub></sub>   | 20             | -           | -                | mA   |                         |
| [UVLO Block]                           |                                |                |             |                  |      |                         |
| VCC Threshold Voltage                  | V <sub>CC_UVLO</sub>           | 4.2            | 4.5         | 4.7              | V    | Low → High              |
| VCC Hysteresis Voltage                 | dV <sub>CC_UVLO</sub>          | 130            | 180         | 230              | mV   |                         |
| BUS EN Threshold Voltage               | BUS_UVLO                       | 0.6            | 0.8         | 0.9              | V    | Low → High              |
| BUS EN Hysteresis Voltage              | dBUS_UVLO                      | 5              | 25          | 50               | mV   |                         |
| 5Vcc Threshold Voltage                 | 5V <sub>CC_UVLO</sub>          | 4.1            | 4.3         | 4.5              | V    | Low → High              |
| 5Vcc Hysteresis Voltage                | dV <sub>CC_UVLO</sub>          | 100            | 150         | 200              | mV   |                         |
| [Reference Voltage Block]              |                                |                |             |                  |      |                         |
| Internal Reference Voltage             | V <sub>REF</sub>               | 0.594          | 0.600       | 0.606            | V    | REFIN=5VCC              |
| REFIN Offset Voltage                   | V <sub>REFIN</sub>             | REF_IN-10m     | REF_IN      | REF_IN+10m       | V    |                         |
| REFIN Input Voltage Range              | V <sub>REF</sub>               | 0.4            | -           | 3.3              | V    |                         |
| REFIN Off Threshold Voltage            | V <sub>th REFIN</sub>          | 4.5            | -           | 5V <sub>CC</sub> | V    |                         |
| [EN Threshold]                         |                                |                |             |                  |      |                         |
| EN Low voltage                         | Enlow                          | GND            | -           | 0.3              | V    | REFIN pin voltage input |
| EN High voltage                        | Enhigh                         | 0.4            | -           | 5V <sub>CC</sub> | V    | REFIN pin voltage input |
| [Operating Frequency]                  |                                |                |             |                  |      |                         |
| Oscillation Frequency                  | F <sub>OSC</sub>               | -              | 500         | -                | kHz  |                         |
| ON Time                                | T <sub>ON</sub>                | 100            | 200         | 300              | nsec |                         |
| MIN OFF Time                           | T <sub>Offmin</sub>            | -              | 400         | 500              | nsec |                         |
| [IREFOUT voltage Block]                |                                |                |             |                  |      |                         |
| IREFOUT Voltage                        | V <sub>IREFOUT</sub>           | 1.176          | 1.2         | 1.224            | V    |                         |
| IREFOUT Drive Current                  | I <sub>IREFOUT</sub>           | 3              | 5           | -                | mA   |                         |
| [FET Gate Driver Block]                |                                |                |             |                  |      |                         |
| UG high side ON Resistance             | R <sub>onHGH</sub>             | -              | 6           | 12               | Ω    |                         |
| UG low side ON Resistance              | R <sub>onHGL</sub>             | -              | 4           | 8                | Ω    |                         |
| LG high side ON Resistance             | R <sub>onLGH</sub>             | -              | 6           | 12               | Ω    |                         |
| LG high side ON Resistance             | R <sub>onLGL</sub>             | -              | 1           | 2                | Ω    |                         |
| [Regulator for VCC]                    |                                |                |             |                  |      |                         |
| Output Voltage                         | V <sub>CCDRV</sub>             | 7.2            | 8           | 8.8              | V    |                         |
| Vcc DRV Drive Current                  | I <sub>V<sub>CCDRV</sub></sub> | -              | 10          | -                | mA   |                         |
| [Droop Block]                          |                                |                |             |                  |      |                         |
| Load Line Slope                        | SLOPE <sub>LL</sub>            | -              | 40          | -                | nA   | DCR=5mΩ                 |
| Load Line Slope Gain                   | SLOPEGAIN                      | 0.75           | 0.8         | 0.85             |      |                         |
| [OCP (Over Current Protection) Block]  |                                |                |             |                  |      |                         |
| Over Current Threshold                 | OCP <sub>TH</sub>              | 0.95           | 1           | 1.05             | V    |                         |
| [OVP (Over Voltage Protection) Block]  |                                |                |             |                  |      |                         |
| Over Voltage Threshold 1               | OVP <sub>TH1</sub>             | VREFx1.25      | VREFx1.3    | VREFx1.35        | V    | REFIN=5V <sub>CC</sub>  |
| Over Voltage Threshold 2               | OVP <sub>TH2</sub>             | REFINx1.25     | REFINx1.3   | REFINx1.35       | V    |                         |
| [SCP (Short Circuit Protection) Block] |                                |                |             |                  |      |                         |
| SCP Start up Voltage 1                 | V <sub>SCP1</sub>              | VREFx0.45      | VREFx0.5    | VREFx0.55        | V    | REFIN=5V <sub>CC</sub>  |
| SCP Start up Voltage 2                 | V <sub>SCP2</sub>              | REFINx0.45     | REFINx0.5   | REFINx0.55       | V    |                         |
| SCP Delay Time                         | T <sub>SCP</sub>               | -              | 1           | -                | ms   |                         |
| [POK Detection Block]                  |                                |                |             |                  |      |                         |
| POK Threshold 1                        | POK <sub>THLOW1</sub>          | VREFx0.7       | VREFx0.75   | VREFx0.80        | V    | REFIN=5V <sub>CC</sub>  |
| POK Threshold 2                        | POK <sub>THLOW2</sub>          | VREFINx0.70    | VREFINx0.75 | VREFINx0.80      | V    |                         |

\* Design Guarantee

●Block Diagram



● Pin Configuration



● Pin Function Table

| PIN No.     | PIN Name      | PIN Function                                                |
|-------------|---------------|-------------------------------------------------------------|
| 1           | UG1           | High Side FET Gate Drive Pin 1                              |
| 2           | BT1           | Supply Voltage for UG1                                      |
| 3           | 5VCC          | 5V Regulator Output (I <sub>omin</sub> =20mA)               |
| 4           | AGND          | Sense GND                                                   |
| 5           | BUSEN         | Bus Enable, Power Supply Monitoring Pin                     |
| 6           | CS1+          | Positive Input of Current Sensing 1                         |
| 7           | CS1-          | Negative Input of Current Sensing 1                         |
| 8           | CS2-          | Negative Input of Current Sensing 2                         |
| 9           | CS2+          | Positive Input of Current Sensing 2                         |
| 10          | IMAX / IOUT   | Current Limit/Output Current Indication                     |
| 11          | RT            | Switching Frequency Setting                                 |
| 12          | DROOP         | Droop Control of the Load Line                              |
| 13          | FB            | Output Voltage Feedback Pin                                 |
| 14          | PGND          | Power GND Pin                                               |
| 15          | REFIN/ EN     | External Reference Input and Enable Pin                     |
| 16          | INREFOUT/ POK | Internal Reference Voltage Output and Power Good Output Pin |
| 17          | BT2           | Supply Voltage for UG2                                      |
| 18          | UG2           | High Side FET Gate Drive Pin 2                              |
| 19          | SW2           | Switch Node for Channel 2                                   |
| 20          | LG2           | Low Side FET Gate Drive Pin 2                               |
| 21          | VCCDRV        | Driver for External Linear Regulator                        |
| 22          | VCC           | Supply Voltage Pin                                          |
| 23          | LG1           | Low Side FET Gate Drive Pin 1                               |
| 24          | SW1           | Switch Node for Channel 1                                   |
| Exposed Pad |               | FIN                                                         |

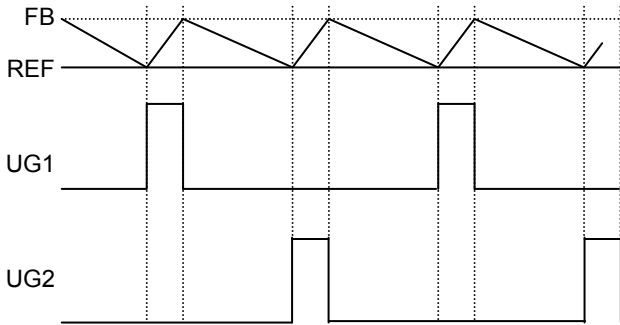
**● Pin Descriptions**

- UG1 (Pin 1), UG2 (Pin 18)  
These are the voltage supply pins to drive the Gate of the high side FET. This voltage swings between BT1/2 and SW1/2. High-speed Gate driving for the high side FET is achieved due to the low on-resistance (3 ohm when UG is high, 2 ohm when UG is low) of the driver.
- BT1 (Pin 2), BT2 (Pin 17)  
These are the voltage supply pins to drive the high side FET. The maximum absolute ratings are 35V (from GND) and 15V (from SW1/2). BT1/2 voltages swing between VIN+VCC and VCC during active operation.
- 5VCC (Pin 3)  
This is the internal 5V regulator output pin. The minimum output current capability is 20mA.
- AGND (Pin 4)  
This is the ground pin for IC internal circuits. It is equivalent to FIN voltage.
- BUSEN (Pin 5)  
This pin monitors the supply input VIN through resistance divider. The POR rising threshold level is set to 0.8V.
- Cs1+ (Pin 6), Cs2+ (Pin 9), Cs1- (Pin 7), Cs2- (Pin 8)  
These pins are connected to both sides of the current sense resistance or Inductance (DCR sensing) to detect output current.
- IMAX / IOUT (Pin 10)  
This pin has multiple functions such as the output current indication, OCP (Over Current Protection) limit setting, and the output voltage load line adjustment pin. BD95700MUV detects the voltage between Cs+ pin and Cs- pin and limits the output current (OCP) using resistance connected between IMAX/IOUT/Droop and GND. A very low current sense resistor or inductor DCR can also be used for this platform.
- RT (Pin 11)  
This is the pin to adjust the switching frequency based on the resistance value. The frequency range is  $f=50\text{KHz} - 1000\text{KHz}$ .
- DROOP (Pin 12)  
This pin can be used for the load slope setting of the output voltage.
- FB (Pin 13)  
This is the output voltage feedback pin. It is possible to adjust the output voltage using external resistor divider based on the equation,  $\text{REFIN} \doteq \text{FB}$ . However, FB becomes 0.6V when  $\text{REFIN}=5\text{VCC}$ .
- PGND (Pin 14)  
This is the power ground pin connected to the source of the low side FET.
- REFEN/EN (Pin 15)  
This is an internal or external reference voltage selectable pin. If REFEN is pulled up to 5VCC, internal reference voltage (0.6V) is used. If REFEN is driven by an external voltage ranged 0.4V to 3.3V, external voltage of REFEN voltage is used. It is very convenient for synchronizing external voltage supply. The IC controls the output voltage ( $\text{REFIN} \doteq \text{FB}$ ). And also this pin is used for enable function. If REFEN is less than 0.3V, the whole circuit is shut down.
- IREFOUT/POK (Pin 16)  
This pin is internal reference voltage output and power good output. During start up, this pin voltage is low. This pin becomes high impedance when FB pin voltage goes beyond 75% of specified FB voltage after soft start ends.
- SW1 (Pin 24), SW2 (Pin 19)  
These are the source pins for the high side FET. The maximum absolute ratings are 15V (from GND). SW1/2 voltage swings between VIN and GND.
- LG1 (Pin 23), LG2 (Pin 20)  
This is the voltage supply to drive the Gate of the low side FET. This voltage swings between VCC and PGND. High-speed Gate driving for the low side FET is achieved due to the low on-resistance (2 ohm when LG1/2 is high, 0.5 ohm when LG1/2 is low) of the driver.
- VCCDRV (Pin 21)  
This is the supply voltage pin to drive an external NPN/N\_MOSFET for 8V linear regulator. The maximum absolute rating is 15V.
- VCC (Pin 22)  
This is the power supply pin for IC internal circuit and driver circuit. The maximum circuit current is 10mA. There are 3 usages depending on a supply voltage for driver (5V, 8V, and 12V). It is recommended that a 0.1uF bypass capacitor be put in this pin to avoid voltage fluctuation when the VCC is supplied from 5V or 12V rail directly from the actual platforms. If 8V is used for the supply voltage, this pin is connected to the LDO output. In this case, it is recommended that at least 10uF ceramic capacitor be input to avoid oscillation.

●Explanation of Operation

The BD95700MUV is a synchronous buck regulator controller incorporating ROHM's proprietary H<sup>3</sup>Reg™ CONTROLLA control system. When V<sub>OUT</sub> drops due to a rapid load change, the system quickly restores V<sub>OUT</sub> by extending the T<sub>ON</sub> time interval. Thus, it serves to improve the regulator's transient response.

H<sup>3</sup>Reg™ control  
(Normal operation)



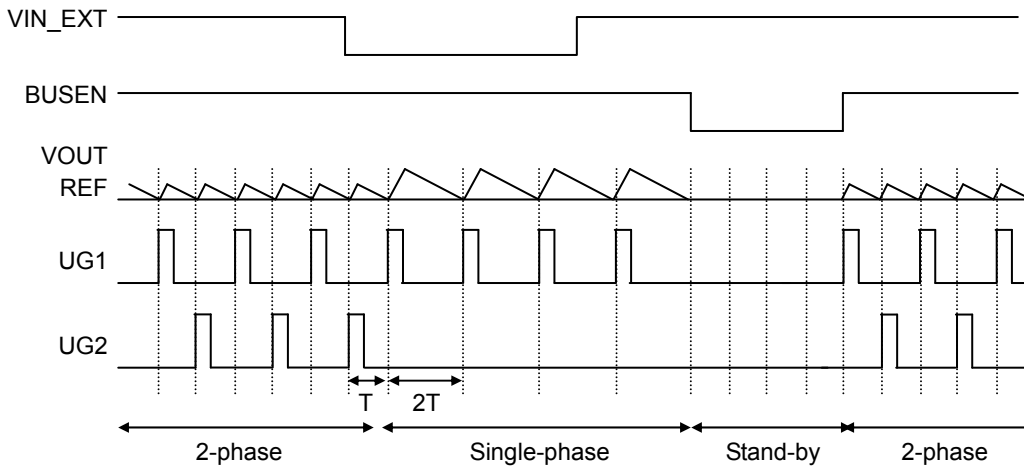
When FB pin voltage (V<sub>out</sub>) falls to a threshold voltage REF, the drop is detected, activating the H<sup>3</sup>Reg™CONTROLLA system.

$$T_{ON} = \frac{REF}{V_{IN}} \times \frac{1}{f} \text{ [sec]} \dots (1)$$

UG output is determined with the formula above. LG outputs until the status of V<sub>OUT</sub> is lower than REF after the status of UG is off.

Note: REF is an internal or external reference voltage. If the internal reference is utilized, REF=0.6V. If the external reference is utilized, REF = REFIN pin voltage.

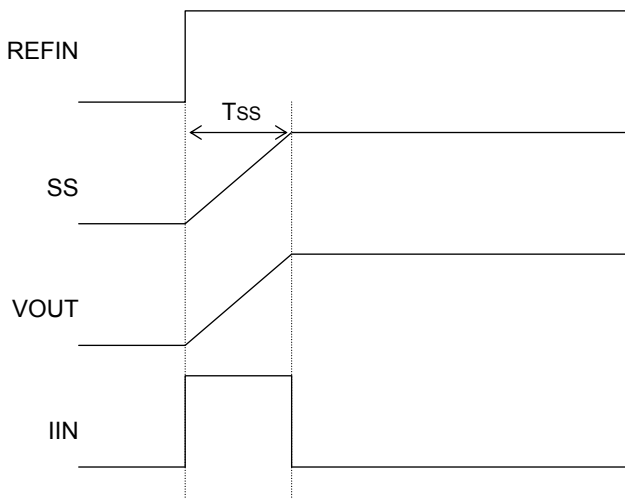
Phase switch function



The IC normally operates in 2-phase mode, but when the input voltage on the VIN\_EXT pin is cut off, the IC latches into single-phase mode. The IC will remain latched in this mode (even if a voltage is reintroduced onto the VIN\_EXT pin) until the voltage is cycled on any of the EN, VCC or BUSEN pins. It will then return to two-phase mode.

● Timing Chart

• Soft Start Function



Soft start is activated when REF hits its enabling threshold (VCC, 5VCC, and BUSEN have to be beyond their own UVLO thresholds). Current control takes effect at startup, enabling an output voltage “ramping start.” Soft start timing and incoming current are calculated with formulas (2) and below.

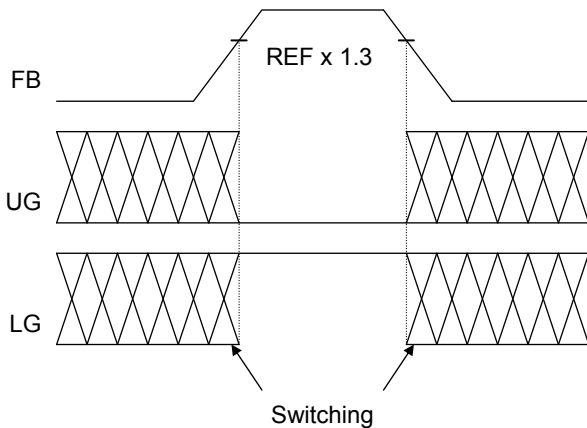
Soft start time (TSS) ≐ 3msec (fixed)

Incoming current

$$IIN = \frac{Co \times VOUT}{3msec} [A] \dots (2)$$

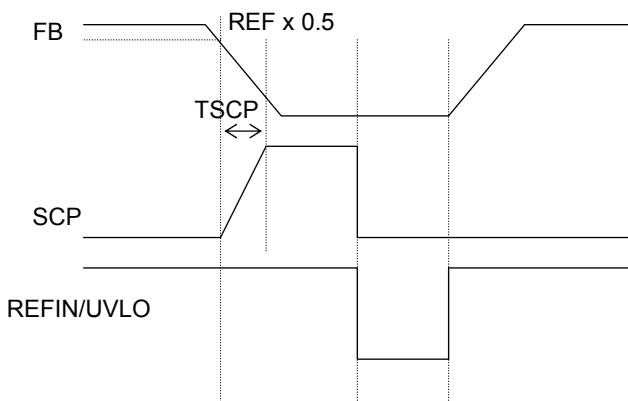
(Co: Output capacitor)

• Output Over Voltage Protection



When the FB pin voltage becomes REF x 1.3, the output over voltage protection is activated and Low side MOSFET becomes ON to lower the output voltage (LG=High, UG=Low). When the output voltage goes back down to the specified level, the whole circuit becomes the normal operation mode.

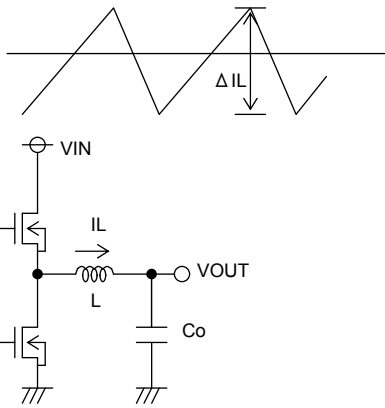
• Short Circuit Protection with Timer Latch



Short Circuit Protection kicks in when output falls to or below REF x 0.5. When the programmed time period elapses, output is latched OFF to prevent destruction of the IC. Output voltage can be restored either by reconnecting the REFIN pin (ON → OFF → ON) or disabling UVLO (HIGH → Low → High).

●External Component Selection

1. Inductor (L) selection



Output Ripple Current

The inductor value is a major influence on the output ripple current. As formula (3) below indicates, the greater the inductor or the switching frequency, the lower the ripple current.

$$\Delta IL = \frac{(VIN - VOUT) \times VOUT}{L \times VIN \times f} \quad [A] \dots (3)$$

The proper output ripple current setting is about 30% of maximum output current.

$$\Delta IL = 0.3 \times IO_{UTmax} / 2 \quad [A] \dots (4)$$

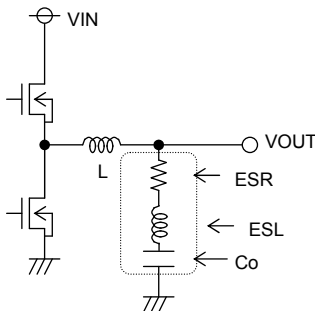
$$L = \frac{(VIN - VOUT) \times VOUT}{\Delta IL \times VIN \times f} \quad [H] \dots (5)$$

(ΔIL: output ripple current; f: switch frequency)

※Passing a current larger than the inductor's rated current will cause magnetic saturation in the inductor and decrease system efficiency. In selecting the inductor, be sure to allow enough margin to assure that peak current does not exceed the inductor rated current value.

※To minimize possible inductor damage and maximize efficiency, choose a inductor with a low (DCR, ACR) resistance.

2. Output Capacitor (Co) Selection



Output Capacitor

At least 20mV ripple voltage of the FB voltage is recommended by taking the equivalent series resistance and inductance into account.

Output ripple voltage is determined as in formula (6) below.

$$\Delta V_{OUT} = \Delta IL \times ESR + ESL \times \Delta IL / T_{ON} \dots (6)$$

(ΔIL: Output ripple current; ESR: Co equivalent series resistance, ESL: equivalent series inductance)

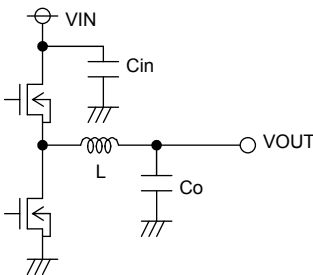
※ In selecting a capacitor, make sure the capacitor rating allows sufficient margin relative to output voltage. Note that a lower ESR can minimize output ripple voltage.

Please give due consideration to the conditions in formula (7) below for output capacity, bearing in mind that output rise time must be established within the soft start time frame.

$$Co \leq \frac{3msec \times (Limit - IO_{UT} / 2)}{V_{OUT}} \dots (7) \quad \text{Limit: Current Limit Value}$$

Note: Improper capacitor may cause startup malfunctions.

3. Input Capacitor (Cin) Selection



Input Capacitor

The input capacitor selected must have low enough ESR resistance to fully support large ripple output, in order to prevent extreme over current. The formula for ripple current IRMS is given in (8) below.

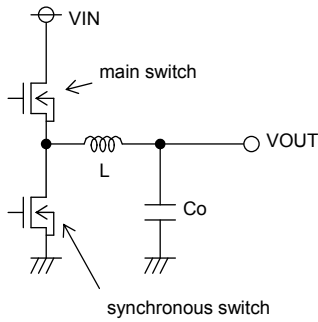
$$IRMS = \frac{IO_{UT}}{2} \times \frac{\sqrt{V_{OUT}(VIN - V_{OUT})}}{VIN} \quad [A] \dots (8)$$

Where  $VIN = 2 \times V_{OUT}$ ,  $IRMS = \frac{IO_{UT}}{4}$

A low ESR capacitor is recommended to reduce ESR loss and maximize efficiency.



4. MOSFET Selection



$$P_{main} = P_{RON} + P_{GATE} + P_{TRAN}$$

Loss on the main MOSFET

$$= \frac{V_{OUT}}{4 \times V_{IN}} \times R_{ON} \times I_{OUT}^2 + C_{iss} \times f \times V_{DD} + \frac{V_{IN}^2 \times C_{rss} \times I_{OUT} \times f}{2 \times I_{DRIVE}} \dots (9)$$

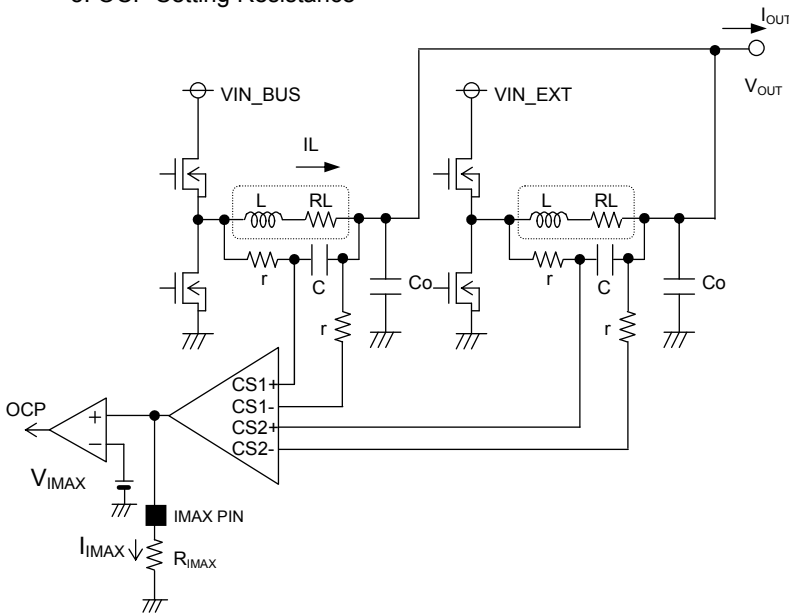
(Ron: On-resistance of FET; Ciss: FET gate capacity;  
f: Switching frequency Crrs: FET inverse transfer function;  
IDRIVE: Gate peak current)

Loss on the synchronous MOSFET

$$P_{syn} = P_{RON} + P_{GATE}$$

$$= \frac{V_{IN} - V_{OUT}}{4 \times V_{IN}} \times R_{ON} \times I_{OUT}^2 + C_{iss} \times f \times V_{DD} \dots (10)$$

5. OCP Setting Resistance



OCP threshold is determined by external OCP setting resistance (RIMAX) and IIMAX calculated below.

$$I_{IMAX} = \frac{V_{CS1+} - V_{CS1-}}{250k\Omega} + \frac{V_{CS2+} - V_{CS2-}}{250k\Omega} \dots (11)$$

$$(V_{CS1+} - V_{CS1-} = I_L \times R_L, R_L = \frac{L}{r \times C})$$

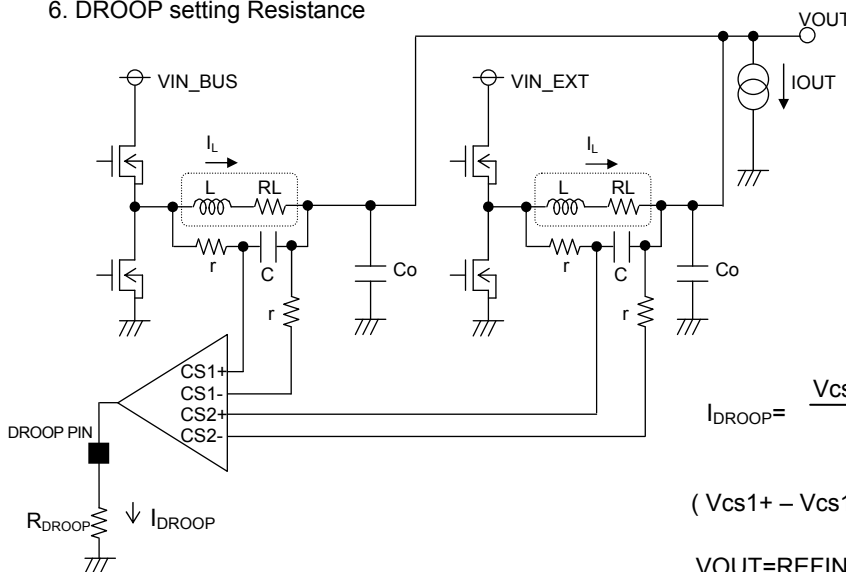
(RL: the DCR value of coil)

If VIMAX meet the following condition, OCP becomes activated.

$$V_{IMAX} \leq I_{IMAX} \times R_{IMAX}$$

(VIMAX: OCP Setting Voltage, VIMAX=1V)

6. DROOP setting Resistance



The slope of the DROOP (VDROOP) can be set by the voltage drop caused by IDROOP and RDROOP. The equation is as follows.

$$I_{DROOP} = \frac{V_{CS1+} - V_{CS1-}}{250k\Omega} + \frac{V_{CS2+} - V_{CS2-}}{250k\Omega}$$

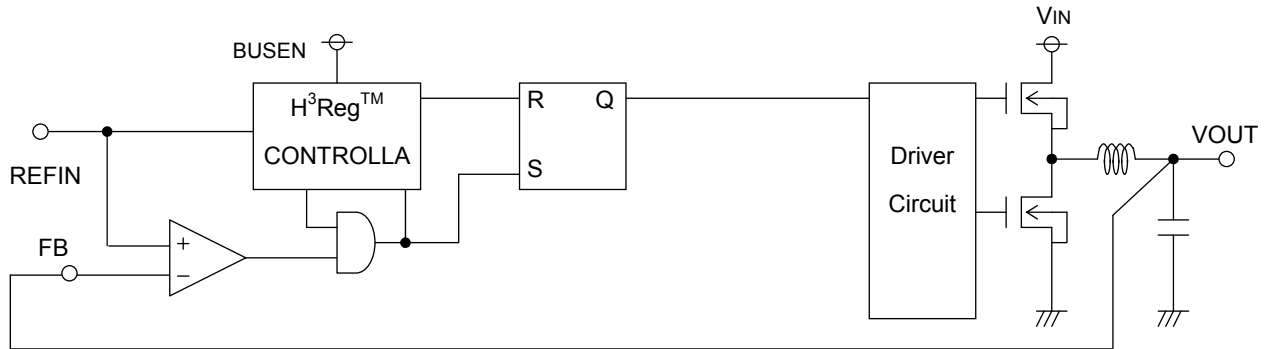
$$(V_{CS1+} - V_{CS1-} = I_L \times R_L, R_L = \frac{L}{r \times c}, I_{OUT} \doteq 2I_L)$$

$$V_{OUT} = V_{REFIN} - R_{DROOP} \times I_{DROOP}$$

... (12)

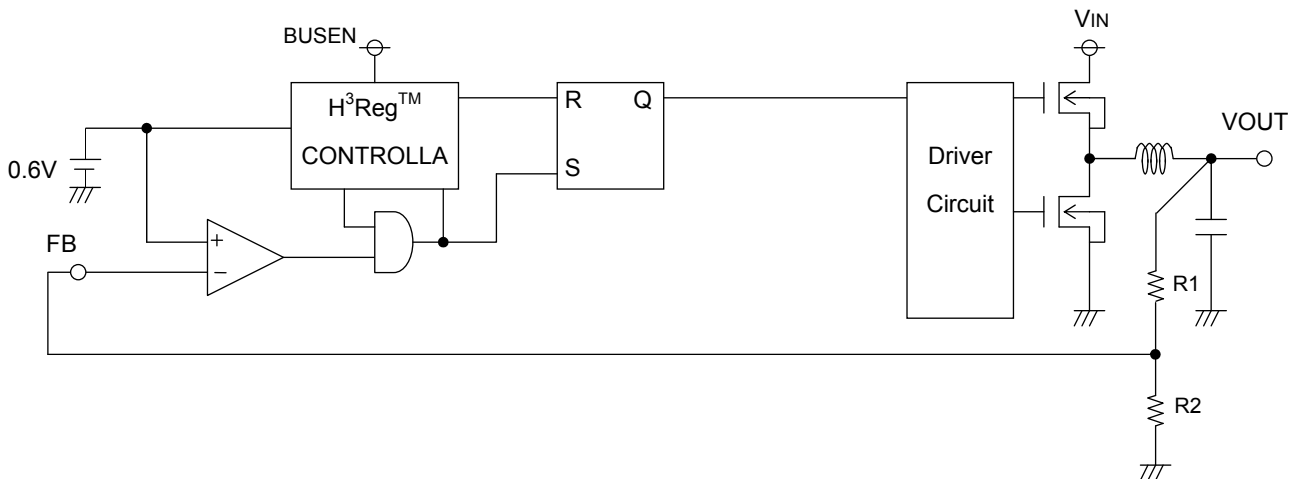
7. Setting output voltage

The output voltage is  $V_{OUT} = V_{REFIN}$  when  $V_{OUT}$  is tied to the FB directly. The range of  $V_{OUT}$  is 0.4V ~ 3.3V.



The output voltage is calculated as follows when resistor divider network is connected between the FB and  $V_{OUT}$ .  $V_{REFIN}$  set 5Vcc. The range of  $V_{out}$  is 0.6~3.3V

$$V_{out} = \frac{R1+R2}{R2} \times 0.6 [V] \dots (13)$$



8. Frequency Setting Resistance

The Frequency at steady state is determined by resistance value connected to  $R_{RT}$  pin.

But actual SW rising time and falling time are factored in due to the external MOSFET gate capacity or switching speed. As a result, On-Time increases.

The frequency is determined by the following formula.

$$f [Hz] = \frac{V_{OUT}}{V_{IN}} \times \frac{1}{T_{on}} \dots (14)$$

$$\left( T_{on} = \frac{10^{-12} \times REF \times R_{RT}}{2 \times BUSEN} + 170 \times 10^{-9} \right) \quad T_{on} : \text{ON TIME}$$

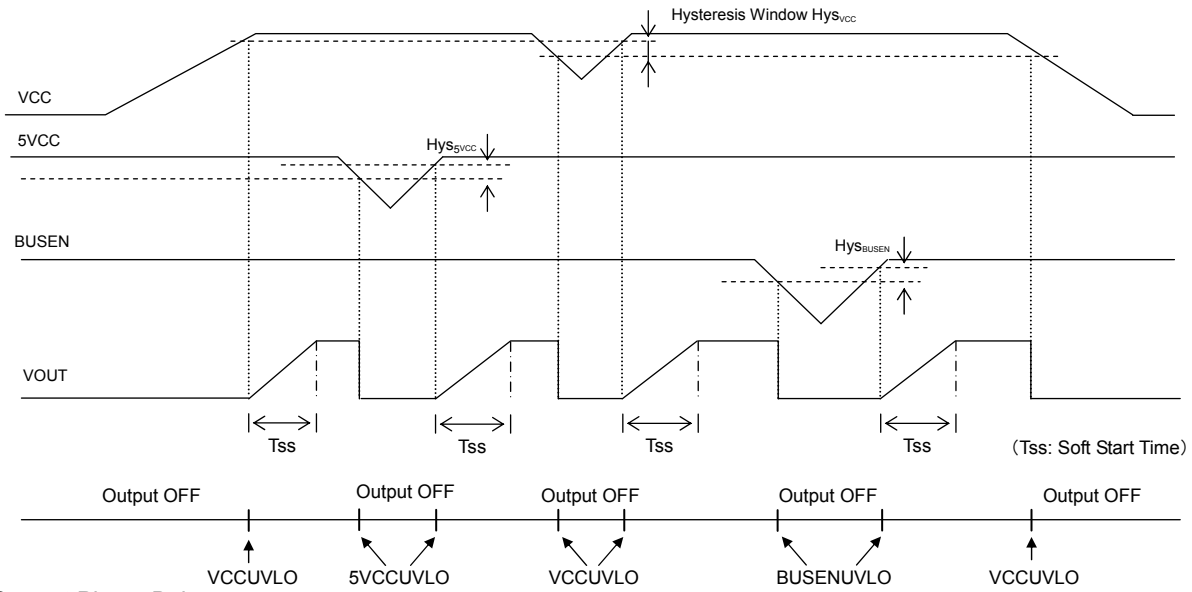
Consequently, total frequency becomes lower than the formula above.

On-Time increases by Dead Time on the condition of zero cross point of inductor current. And also switching frequency increases as the output current increases due to the fixed On-Time and the influence of conduction loss.

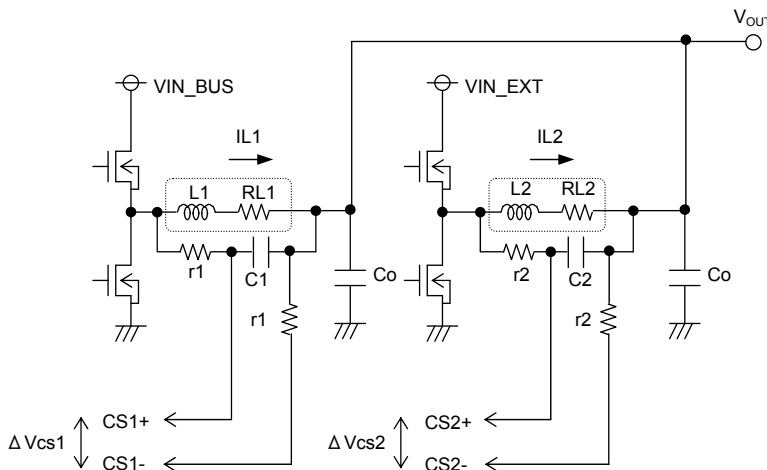
It is recommended that switching frequency be checked on large current condition (at the point where the inductor current doesn't become reversed from  $V_{out}$ ).

9. UVLO

BD95700MUV has function to detect input UVLO voltage in each VCC, 5VCC, and BUSEN for output voltage to start up. If all these inputs go beyond their own UVLO threshold voltage, the soft start function kicks in. These threshold voltages have their own hysteresis voltage to avoid faulty operation caused by input noises and glitches.



10. Current Phase Balance

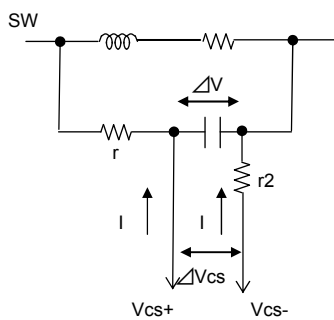


BD95700MUV keeps the current phase balance between coil current IL1 and IL2 by controlling the status  $\Delta V_{cs1} = \Delta V_{cs2}$ . And for that, it is needed to meet the reference formula below.

$$L1 = L2 \text{ (} RL1 = RL2 \text{), } r1 = r2, C1 = C2. \dots (15)$$

For detecting the value of  $\Delta V_{cs1}$  or  $\Delta V_{cs2}$  exactly, it is also needed to meet the formula below.

$$RL1 = \frac{L1}{r1 \times C1} \dots (16)$$



However,  $V_{cs+}$  and  $V_{cs-}$  are fed a small current from current sense amplifier, and this current causes a slight difference in the actual value obtained from formula (16). Refer to formula (17) below:

$$\Delta V_{cs} = \Delta V - I \times r \dots (17)$$

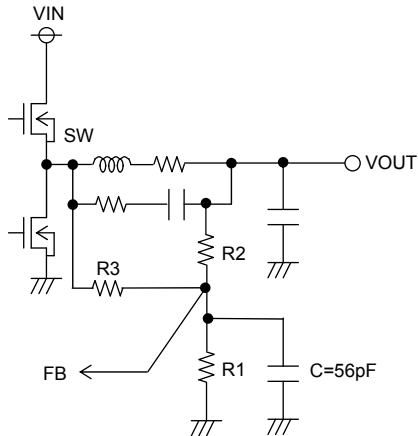
This difference can be compensated for by adding resistor r2.

$$\Delta V_{cs} = (\Delta V - I \times r) + I \times r2 \dots (18)$$

To eliminate the difference, choose r2 to have the same value as r.

$$\Delta V_{cs} = \Delta V \dots (19)$$

## 11. Vout small Ripple Voltage



Resistor R3 and capacitor C (=56pF) are needed to stabilize switching operation when Vout ripple voltage is less than 20mV. The values of R1, R2 and R3 are determined as in the formula (20) below

$$R1+R2 \leq 20k\Omega, 10 \times R1 \leq R3 \quad \dots (20)$$

●Reference Data

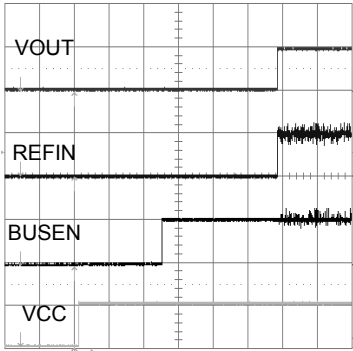


Fig1.Sequence

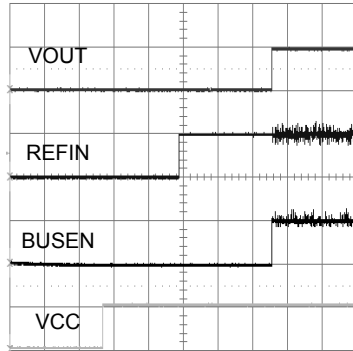


Fig2.Sequence

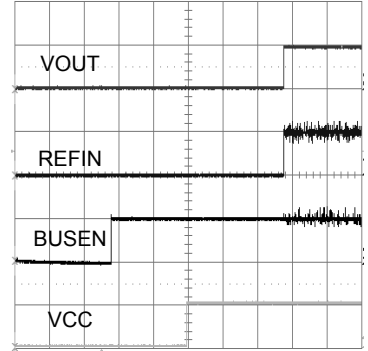


Fig3.Sequence

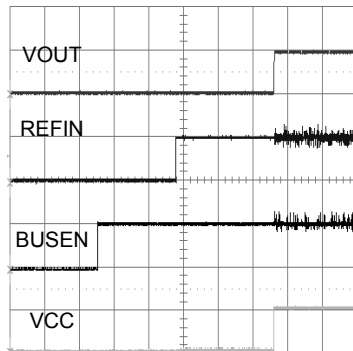


Fig4.Sequence

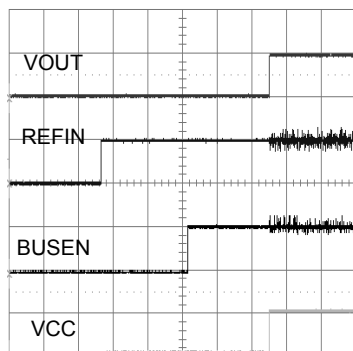


Fig5.Sequence

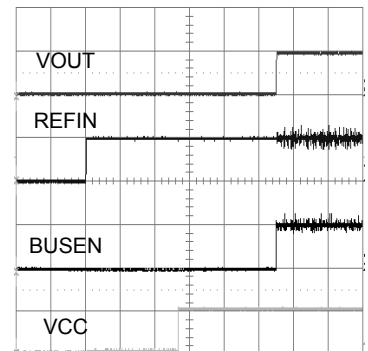


Fig6.Sequence

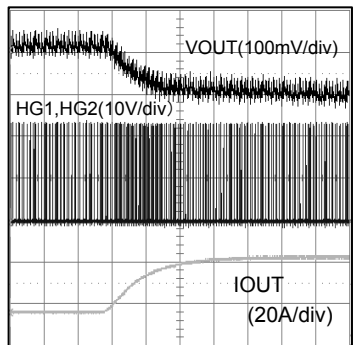


Fig7.Load Transient Response (VCC=12V)

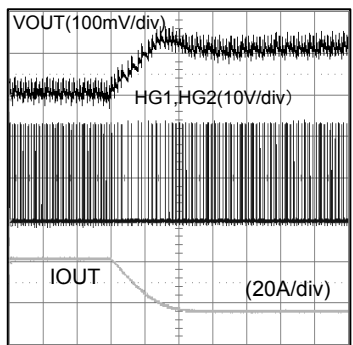


Fig8.Load Transient Response (VCC=12V)

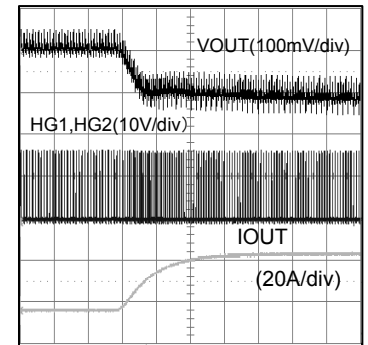


Fig9.Load Transient Response (VCC=5V)

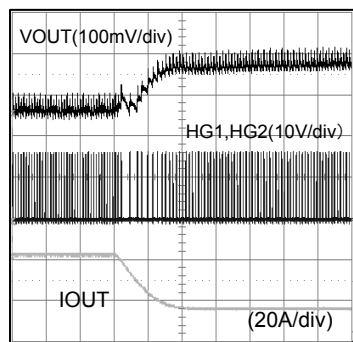


Fig10.Load Transient Response (VCC=5V)

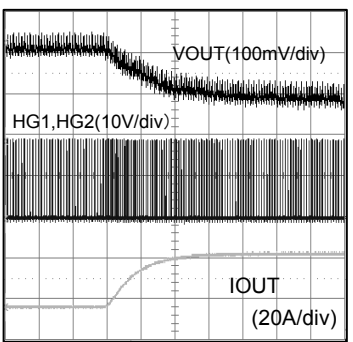


Fig11.Load Transient Response (VCC=8V)

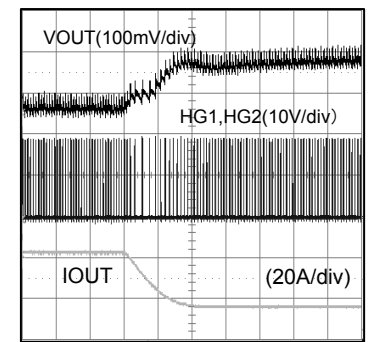


Fig12.Load Transient Response (VCC=8V)

●Reference Data

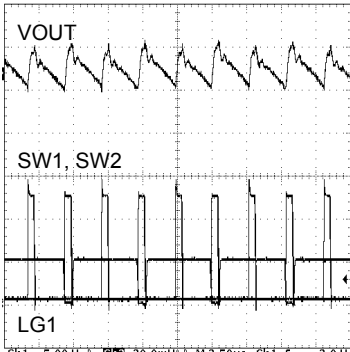


Fig13.Continuous MODE (VCC=5V)

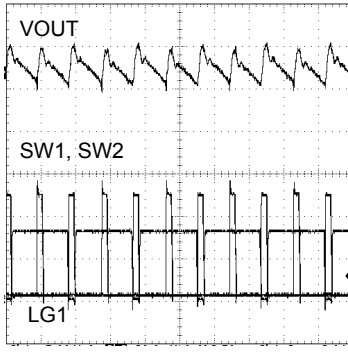


Fig14.Continuous MODE (VCC=8V)

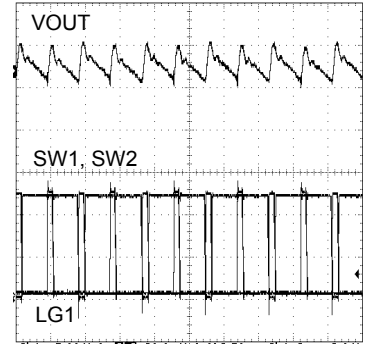


Fig15.Continuous MODE (VCC=12V)

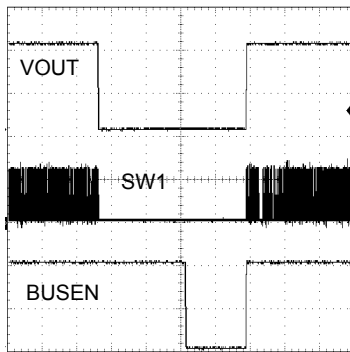


Fig16.SCP Function

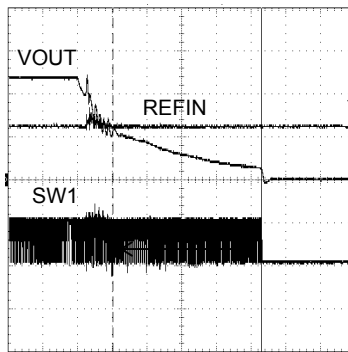


Fig17.SCP Function

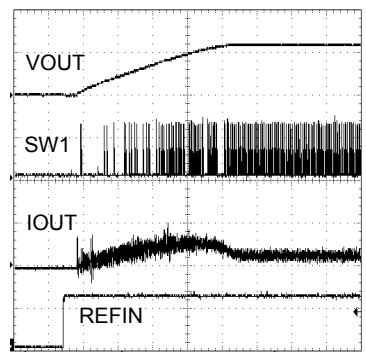


Fig18.Soft Start

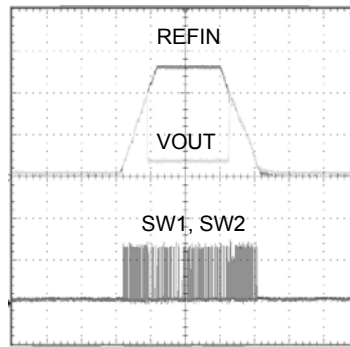


Fig19.Reference Function

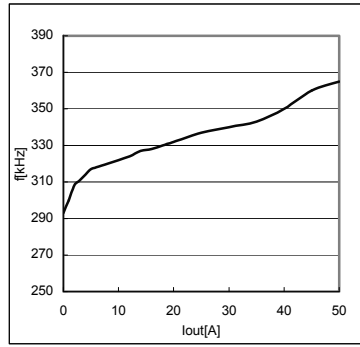


Fig20.Frequency range functionally

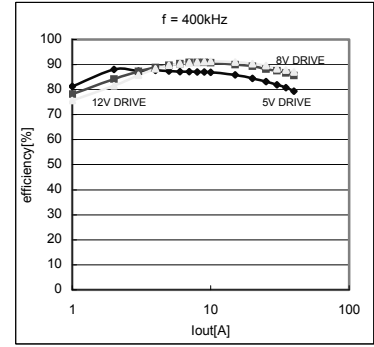


Fig21.Efficiency

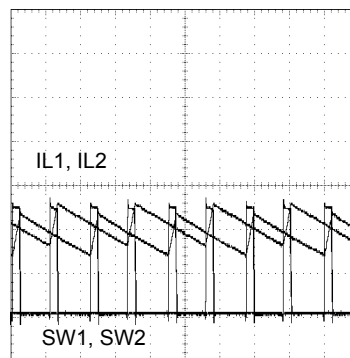


Fig22.Current balance (Io=20A)

C3 Max 13.0 V

C4 Max 12.0 V

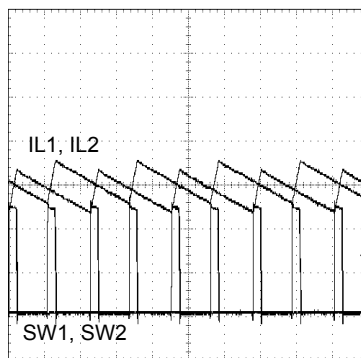


Fig23.Current balance (Io=30A)

C3 Max 17.8 V

C4 Max 16.8 V

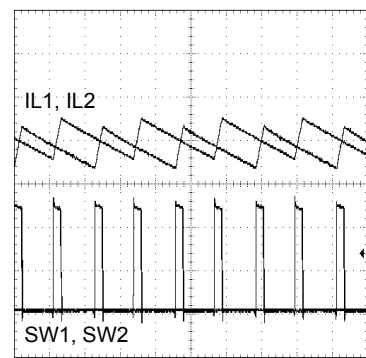
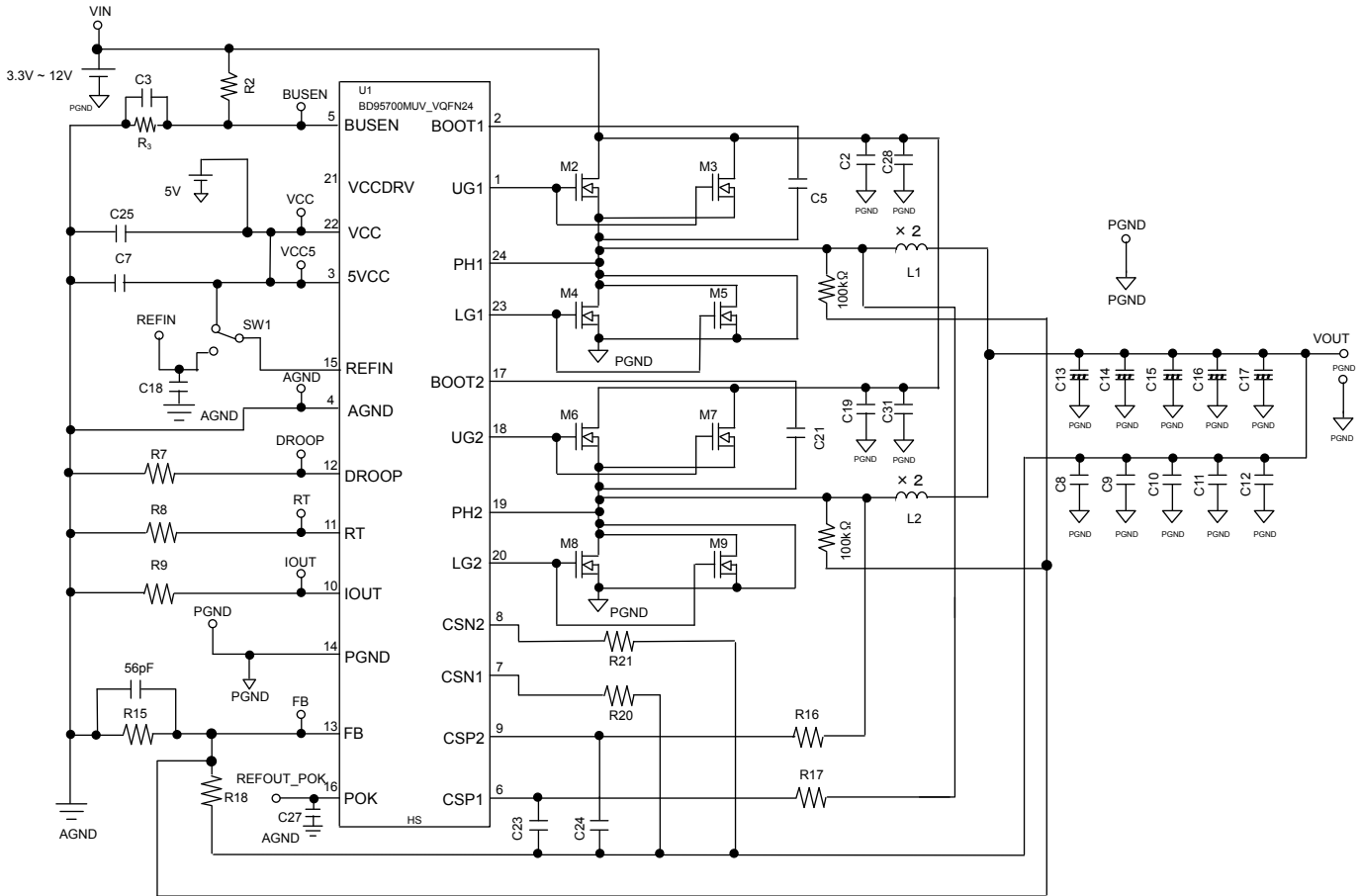


Fig24.Current balance (Io=40A)

C3 Max 22.6 V

C4 Max 21.8 V

■ BD95700MUV Evaluation Board Circuit with 5V Drive (VCC=5V input , VIN=3.3~12V input , REFIN=5VCC, Vout=1.2V)

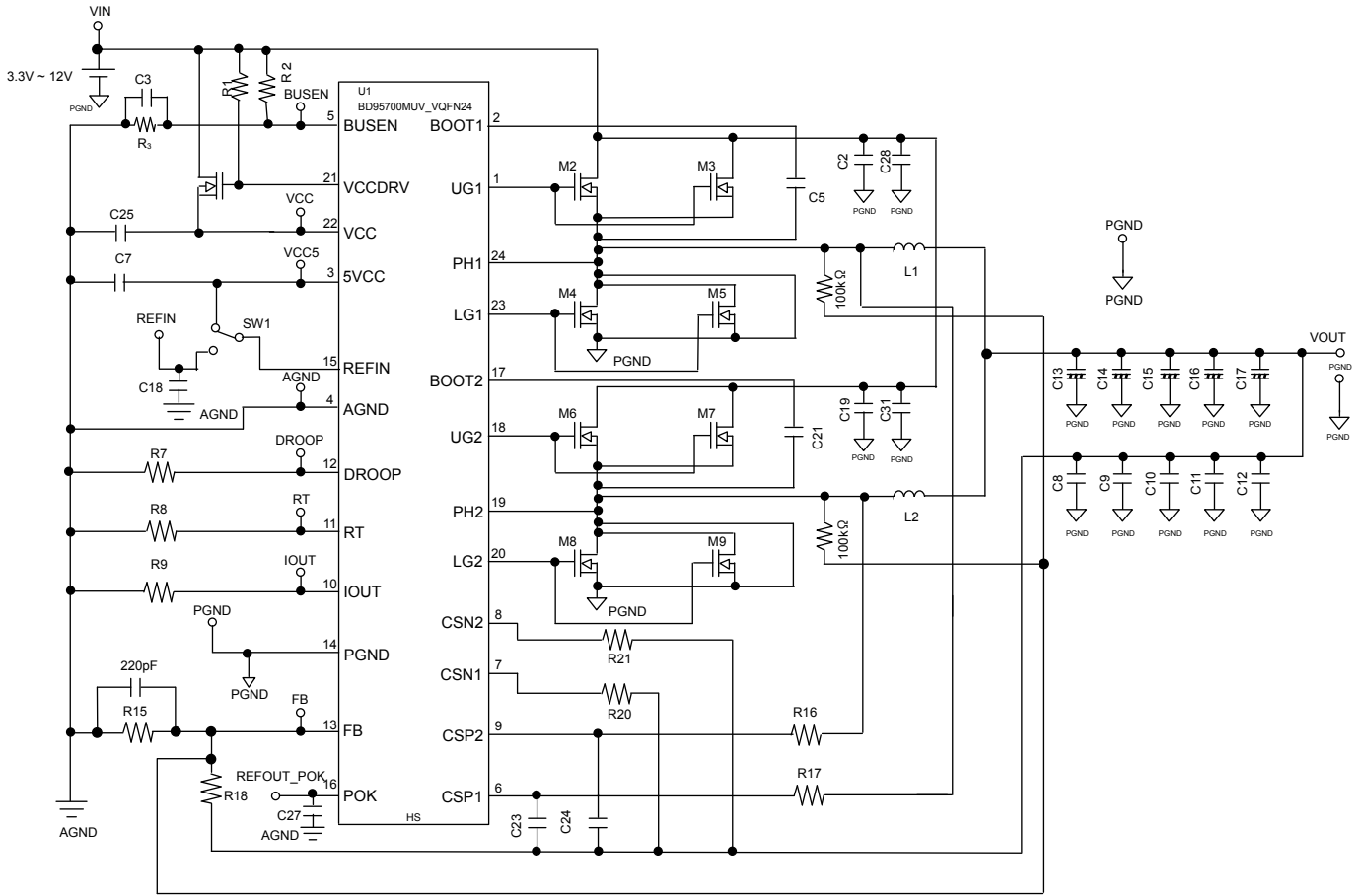


■ BD95700MUV Evaluation Board Parts List

| Part No | Value | Company  | Part name       |
|---------|-------|----------|-----------------|
| U1      |       | ROHM     | BD95700MUV      |
| M2      |       | infineon | BSC119N03SG     |
| M3      |       | infineon | BSC119N03SG     |
| M4      |       | Infineon | BSC032N03SG     |
| M5      |       | Infineon | BSC032N03SG     |
| M6      |       | Infineon | BSC119N03SG     |
| M7      |       | Infineon | BSC119N03SG     |
| M8      |       | Infineon | BSC032N03SG     |
| M9      |       | infineon | BSC032N03SG     |
| C2      | 10uF  | KYOCERA  | CT32X5R106K25A  |
| C3      | 1uF   | KYOCERA  | CM05B105K16A    |
| C5      | 1uF   | KYOCERA  | CM105B105K16A   |
| C7      | 10uF  | KYOCERA  | CM316X5R106M06A |
| C8      | 10uF  | KYOCERA  | CM21B106M06A    |
| C9      | 10uF  | KYOCERA  | CM21B106M06A    |
| C10     | 10uF  | KYOCERA  | CM21B106M06A    |
| C11     | 10uF  | KYOCERA  | CM21B106M06A    |
| C12     | -     | -        | -               |
| C13     | 820uF | SANYO    | NC641-643       |
| C14     | 820uF | SANYO    | NC641-643       |
| C15     | 820uF | SANYO    | NC641-643       |
| C16     | -     | -        | -               |

| Part No | Value  | Company | Part name       |
|---------|--------|---------|-----------------|
| C17     | -      | -       | -               |
| C18     | 1uF    | KYOCERA | CM05B105K06A    |
| C19     | 10uF   | KYOCERA | CT32X5R106K25A  |
| C21     | 1uF    | KYOCERA | CM105B105K16A   |
| C23     | 0.1uF  | KYOCERA | CM105X5R224K25A |
| C24     | 0.1uF  | KYOCERA | CM105X5R224K25A |
| C25     | 10uF   | KYOCERA | CM316X5R106M10A |
| C27     | 10uF   | KYOCERA | CM316X5R106M06A |
| C28     | 10uF   | KYOCERA | CT32X5R106K25A  |
| C31     | 10uF   | KYOCERA | CT32X5R106K25A  |
| R2      | 300kΩ  | ROHM    | MCR03           |
| R3      | 30kΩ   | ROHM    | MCR03           |
| R7      | 0Ω     | ROHM    | MCR03           |
| R8      | 240kΩ  | ROHM    | MCR03           |
| R9      | 3.6MΩ  | ROHM    | MCR03           |
| R15     | 10kΩ   | ROHM    | MCR03           |
| R16     | 4.87kΩ | ROHM    | MCR03           |
| R17     | 4.87kΩ | ROHM    | MCR03           |
| R18     | 10kΩ   | ROHM    | MCR03           |
| R20     | 4.87kΩ | ROHM    | MCR03           |
| R21     | 4.87kΩ | ROHM    | MCR03           |
| L1      | 0.47uH | Cyntec  | PCMB105T-R47MS  |
| L2      | 0.47uH | Cyntec  | PCMB105T-R47MS  |

■ BD95700MUV Evaluation Board Circuit with 8V Drive (VIN=10.8~13.2V input , REFIN=5VCC, Vout=1.2V )



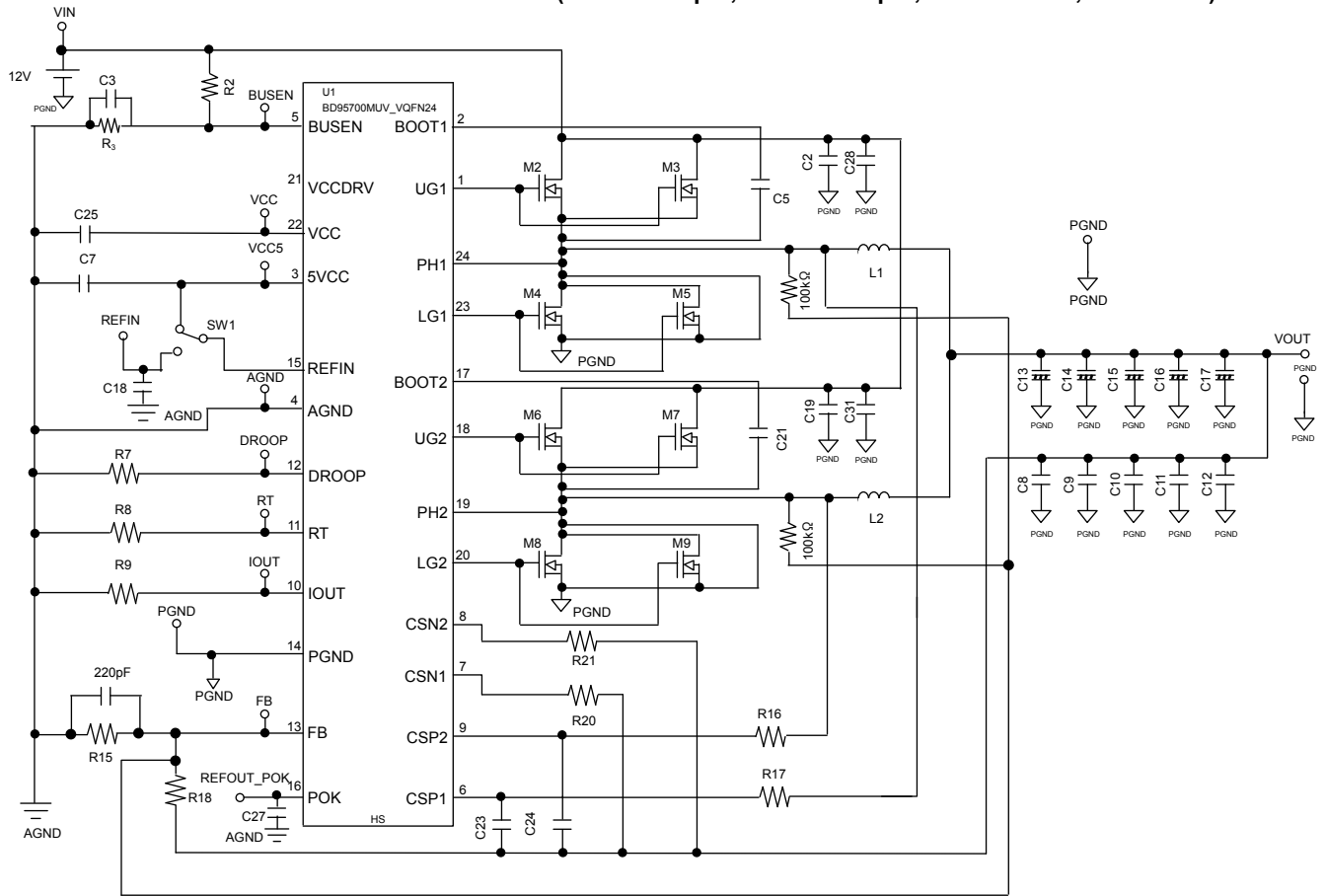
■ BD95700MUV Evaluation Board Parts List

| Part No | Value | Company  | Part name       |
|---------|-------|----------|-----------------|
| U1      |       | ROHM     | BD95700MUV      |
| M2      |       | infineon | BSC119N03SG     |
| M3      |       | infineon | BSC119N03SG     |
| M4      |       | Infineon | BSC032N03SG     |
| M5      |       | Infineon | BSC032N03SG     |
| M6      |       | Infineon | BSC119N03SG     |
| M7      |       | Infineon | BSC119N03SG     |
| M8      |       | Infineon | BSC032N03SG     |
| M9      |       | infineon | BSC032N03SG     |
| C2      | 10uF  | KYOCERA  | CT32X5R106K25A  |
| C3      | 1uF   | KYOCERA  | CM05B105K16A    |
| C5      | 1uF   | KYOCERA  | CM105B105K16A   |
| C7      | 10uF  | KYOCERA  | CM316X5R106M06A |
| C8      | 10uF  | KYOCERA  | CM21B106M06A    |
| C9      | 10uF  | KYOCERA  | CM21B106M06A    |
| C10     | 10uF  | KYOCERA  | CM21B106M06A    |
| C11     | 10uF  | KYOCERA  | CM21B106M06A    |
| C12     | -     | -        | -               |
| C13     | 820uF | SANYO    | NC641-643       |
| C14     | 820uF | SANYO    | NC641-643       |
| C15     | 820uF | SANYO    | NC641-643       |
| C16     | -     | -        | -               |
| C17     | -     | -        | -               |

| Part No | Value  | Company | Part name       |
|---------|--------|---------|-----------------|
| C18     | 1uF    | KYOCERA | CM05B105K06A    |
| C19     | 10uF   | KYOCERA | CT32X5R106K25A  |
| C21     | 1uF    | KYOCERA | CM105B105K16A   |
| C23     | 0.1uF  | KYOCERA | CM105X5R224K25A |
| C24     | 0.1uF  | KYOCERA | CM105X5R224K25A |
| C25     | 10uF   | KYOCERA | CM316X5R106M10A |
| C27     | 10uF   | KYOCERA | CM316X5R106M06A |
| C28     | 10uF   | KYOCERA | CT32X5R106K25A  |
| C31     | 10uF   | KYOCERA | CT32X5R106K25A  |
| R1      | 10kΩ   | ROHM    | MCR03           |
| R2      | 300kΩ  | ROHM    | MCR03           |
| R3      | 30kΩ   | ROHM    | MCR03           |
| R7      | 0Ω     | ROHM    | MCR03           |
| R8      | 240kΩ  | ROHM    | MCR03           |
| R9      | 3.6MΩ  | ROHM    | MCR03           |
| R15     | 10kΩ   | ROHM    | MCR03           |
| R16     | 4.87kΩ | ROHM    | MCR03           |
| R17     | 4.87kΩ | ROHM    | MCR03           |
| R18     | 10kΩ   | ROHM    | MCR03           |
| R20     | 4.87kΩ | ROHM    | MCR03           |
| R21     | 4.87kΩ | ROHM    | MCR03           |
| L1      | 0.47uH | Cyntec  | PCMB105T-R47MS  |
| L2      | 0.47uH | Cyntec  | PCMB105T-R47MS  |



■ BD95700MUV Evaluation Board Circuit with 12V Drive ( VIN=12V input, VCC=12V input, REFIN=5VCC, Vout=1.2V )



■ BD95700MUV Evaluation Board Parts List

| Part No | Value | Company  | Part name       |
|---------|-------|----------|-----------------|
| U1      |       | ROHM     | BD95700MUV      |
| M2      |       | infineon | BSC119N03SG     |
| M3      |       | infineon | BSC119N03SG     |
| M4      |       | Infineon | BSC032N03SG     |
| M5      |       | Infineon | BSC032N03SG     |
| M6      |       | Infineon | BSC119N03SG     |
| M7      |       | Infineon | BSC119N03SG     |
| M8      |       | Infineon | BSC032N03SG     |
| M9      |       | infineon | BSC032N03SG     |
| C2      | 10uF  | KYOCERA  | CT32X5R106K25A  |
| C3      | 1uF   | KYOCERA  | CM05B105K16A    |
| C5      | 1uF   | KYOCERA  | CM105B105K16A   |
| C7      | 10uF  | KYOCERA  | CM316X5R106M06A |
| C8      | 10uF  | KYOCERA  | CM21B106M06A    |
| C9      | 10uF  | KYOCERA  | CM21B106M06A    |
| C10     | 10uF  | KYOCERA  | CM21B106M06A    |
| C11     | 10uF  | KYOCERA  | CM21B106M06A    |
| C12     | -     | -        | -               |
| C13     | 820uF | SANYO    | NC641-643       |
| C14     | 820uF | SANYO    | NC641-643       |
| C15     | 820uF | SANYO    | NC641-643       |
| C16     | -     | -        | -               |

| Part No | Value  | Company | Part name       |
|---------|--------|---------|-----------------|
| C17     | -      | -       | -               |
| C18     | 1uF    | KYOCERA | CM05B105K06A    |
| C19     | 10uF   | KYOCERA | CT32X5R106K25A  |
| C21     | 1uF    | KYOCERA | CM105B105K16A   |
| C23     | 0.1uF  | KYOCERA | CM105X5R224K25A |
| C24     | 0.1uF  | KYOCERA | CM105X5R224K25A |
| C25     | 10uF   | KYOCERA | CM316X5R106M10A |
| C27     | 10uF   | KYOCERA | CM316X5R106M06A |
| C28     | 10uF   | KYOCERA | CT32X5R106K25A  |
| C31     | 10uF   | KYOCERA | CT32X5R106K25A  |
| R2      | 300kΩ  | ROHM    | MCR03           |
| R3      | 30kΩ   | ROHM    | MCR03           |
| R7      | 0Ω     | ROHM    | MCR03           |
| R8      | 240kΩ  | ROHM    | MCR03           |
| R9      | 3.6MΩ  | ROHM    | MCR03           |
| R15     | 10kΩ   | ROHM    | MCR03           |
| R16     | 4.87kΩ | ROHM    | MCR03           |
| R17     | 4.87kΩ | ROHM    | MCR03           |
| R18     | 10kΩ   | ROHM    | MCR03           |
| R20     | 4.87kΩ | ROHM    | MCR03           |
| R21     | 4.87kΩ | ROHM    | MCR03           |
| L1      | 0.47uH | Cyntec  | PCMB105T-R47MS  |
| L2      | 0.47uH | Cyntec  | PCMB105T-R47MS  |

### ● Operation Notes

#### 1. Absolute maximum ratings

An excess in the absolute maximum ratings, such as supply voltage, temperature range of operating conditions, etc., can break down the devices, thus making impossible to identify breaking mode, such as a short circuit or an open circuit. If any over rated values will expect to exceed the absolute maximum ratings, consider adding circuit protection devices, such as fuses.

#### 2. Connecting the power supply connector backward

Connecting of the power supply in reverse polarity can damage IC. Take precautions when connecting the power supply lines. An external direction diode can be added.

#### 3. Power supply lines

Design PCB layout pattern to provide low impedance GND and supply lines. To obtain a low noise ground and supply line, separate the ground section and supply lines of the digital and analog blocks. Furthermore, for all power supply terminals to ICs, connect a capacitor between the power supply and the GND terminal. When applying electrolytic capacitors in the circuit, not that capacitance characteristic values are reduced at low temperatures.

#### 4. GND voltage

The potential of GND pin must be minimum potential in all operating conditions.

#### 5. Thermal design

Use a thermal design that allows for a sufficient margin in light of the power dissipation (Pd) in actual operating conditions.

#### 6. Inter-pin shorts and mounting errors

Use caution when positioning the IC for mounting on printed circuit boards. The IC may be damaged if there is any connection error or if pins are shorted together.

#### 7. Actions in strong electromagnetic field

Use caution when using the IC in the presence of a strong electromagnetic field as doing so may cause the IC to malfunction.

#### 8. ASO

When using the IC, set the output transistor so that it does not exceed absolute maximum ratings or ASO.

#### 9. Thermal shutdown circuit

The IC incorporates a built-in thermal shutdown circuit (TSD circuit). The thermal shutdown circuit (TSD circuit) is designed only to shut the IC off to prevent thermal runaway. It is not designed to protect the IC or guarantee its operation. Do not continue to use the IC after operating this circuit or use the IC in an environment where the operation of this circuit is assumed.

|            | TSD on temperature [°C] (typ.) | Hysteresis temperature [°C] (typ.) |
|------------|--------------------------------|------------------------------------|
| BD95700MUV | 175                            | 15                                 |

#### 10. Testing on application boards

When testing the IC on an application board, connecting a capacitor to a pin with low impedance subjects the IC to stress. Always discharge capacitors after each process or step. Always turn the IC's power supply off before connecting it to or removing it from a jig or fixture during the inspection process. Ground the IC during assembly steps as an antistatic measure. Use similar precaution when transporting or storing the IC.

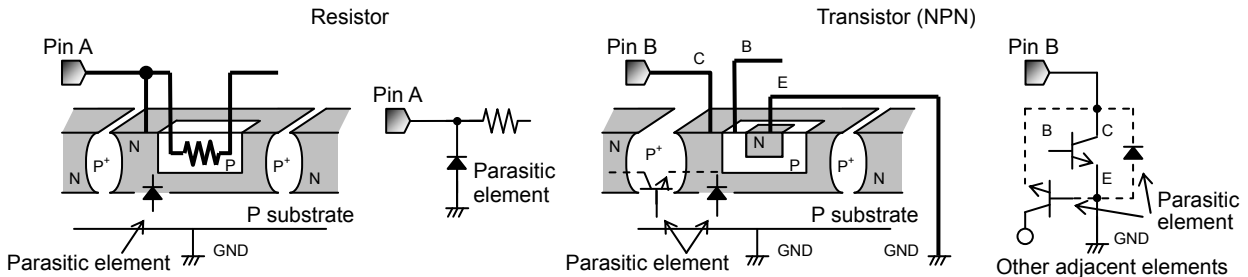
11. Regarding input pin of the IC

This monolithic IC contains P+ isolation and P substrate layers between adjacent elements in order to keep them isolated. P-N junctions are formed at the intersection of these P layers with the N layers of other elements, creating a parasitic diode or transistor. For example, the relation between each potential is as follows:

When  $GND > Pin A$  and  $GND > Pin B$ , the P-N junction operates as a parasitic diode.

When  $GND > Pin B$ , the P-N junction operates as a parasitic transistor.

Parasitic diodes can occur inevitable in the structure of the IC. The operation of parasitic diodes can result in mutual interference among circuits, operational faults, or physical damage. Accordingly, methods by which parasitic diodes operate, such as applying a voltage that is lower than the GND (P substrate) voltage to an input pin, should not be used.



12. Ground Wiring Pattern

When using both small signal and large current GND patterns, it is recommended to isolate the two ground patterns, placing a single ground point at the ground potential of application so that the pattern wiring resistance and voltage variations caused by large currents do not cause variations in the small signal ground voltage. Be careful not to change the GND wiring pattern of any external components, either.

● Power Dissipation

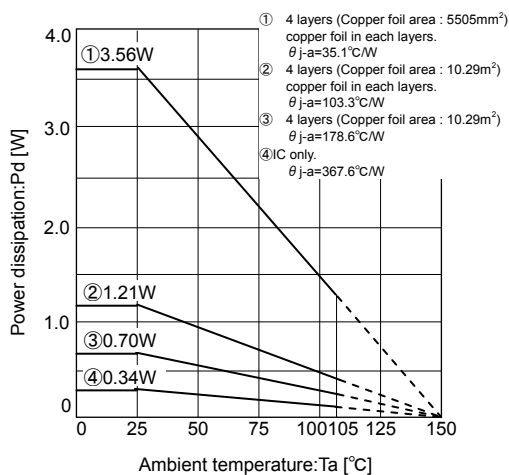
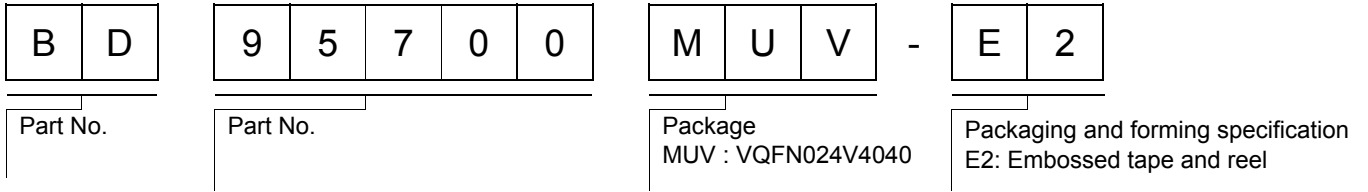
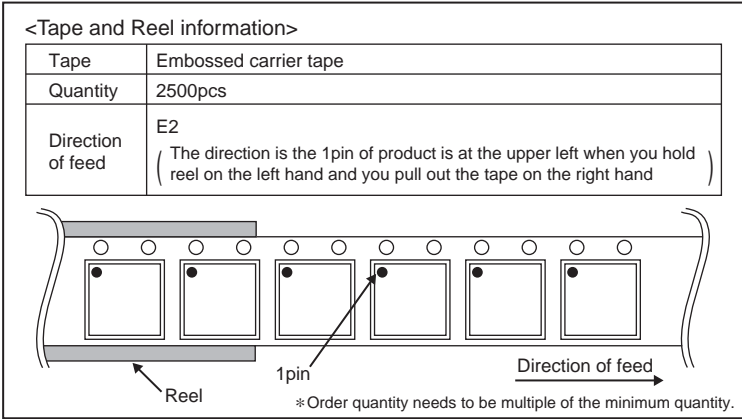
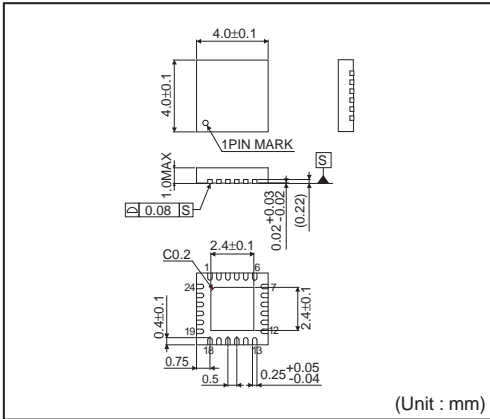


Fig.25 Thermal derating curve (VQFN020V4040)

●Type Designations (Selections) for Ordering



VQFN024V4040



## Notes

No copying or reproduction of this document, in part or in whole, is permitted without the consent of ROHM Co.,Ltd.

The content specified herein is subject to change for improvement without notice.

The content specified herein is for the purpose of introducing ROHM's products (hereinafter "Products"). If you wish to use any such Product, please be sure to refer to the specifications, which can be obtained from ROHM upon request.

Examples of application circuits, circuit constants and any other information contained herein illustrate the standard usage and operations of the Products. The peripheral conditions must be taken into account when designing circuits for mass production.

Great care was taken in ensuring the accuracy of the information specified in this document. However, should you incur any damage arising from any inaccuracy or misprint of such information, ROHM shall bear no responsibility for such damage.

The technical information specified herein is intended only to show the typical functions of and examples of application circuits for the Products. ROHM does not grant you, explicitly or implicitly, any license to use or exercise intellectual property or other rights held by ROHM and other parties. ROHM shall bear no responsibility whatsoever for any dispute arising from the use of such technical information.

The Products specified in this document are intended to be used with general-use electronic equipment or devices (such as audio visual equipment, office-automation equipment, communication devices, electronic appliances and amusement devices).

The Products specified in this document are not designed to be radiation tolerant.

While ROHM always makes efforts to enhance the quality and reliability of its Products, a Product may fail or malfunction for a variety of reasons.

Please be sure to implement in your equipment using the Products safety measures to guard against the possibility of physical injury, fire or any other damage caused in the event of the failure of any Product, such as derating, redundancy, fire control and fail-safe designs. ROHM shall bear no responsibility whatsoever for your use of any Product outside of the prescribed scope or not in accordance with the instruction manual.

The Products are not designed or manufactured to be used with any equipment, device or system which requires an extremely high level of reliability the failure or malfunction of which may result in a direct threat to human life or create a risk of human injury (such as a medical instrument, transportation equipment, aerospace machinery, nuclear-reactor controller, fuel-controller or other safety device). ROHM shall bear no responsibility in any way for use of any of the Products for the above special purposes. If a Product is intended to be used for any such special purpose, please contact a ROHM sales representative before purchasing.

If you intend to export or ship overseas any Product or technology specified herein that may be controlled under the Foreign Exchange and the Foreign Trade Law, you will be required to obtain a license or permit under the Law.



Thank you for your accessing to ROHM product informations.  
More detail product informations and catalogs are available, please contact us.

## ROHM Customer Support System

<http://www.rohm.com/contact/>