

Silicon NPN Power Transistors

2SD381

**DESCRIPTION**

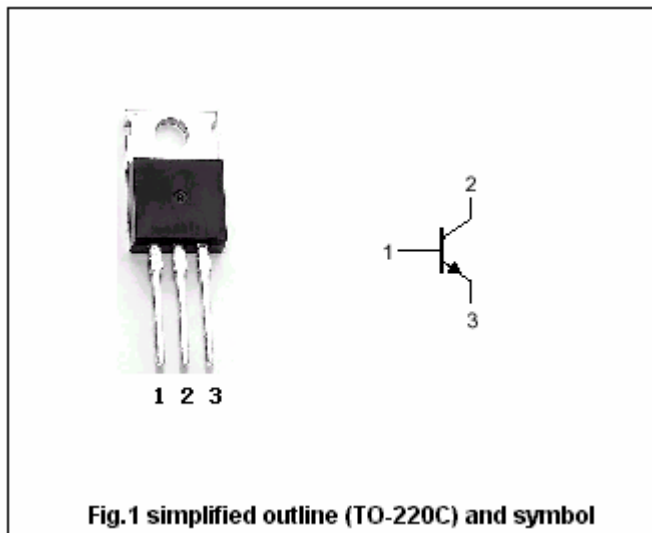
- With TO-220C package
- Complement to type 2SB536
- Low collector saturation voltage

**APPLICATIONS**

- Audio frequency power amplifier
- Low speed power switching

**PINNING**

PIN	DESCRIPTION
1	Base
2	Collector;connected to mounting base
3	Emitter



**Absolute maximum ratings(Ta=25°C)**

SYMBOL	PARAMETER	CONDITIONS	VALUE	UNIT
V <sub>CBO</sub>	Collector-base voltage	Open emitter	130	V
V <sub>CEO</sub>	Collector-emitter voltage	Open base	120	V
V <sub>EBO</sub>	Emitter-base voltage	Open collector	5	V
I <sub>C</sub>	Collector current		1.5	A
I <sub>CM</sub>	Collector current-peak		3.0	A
I <sub>B</sub>	Base current		0.3	A
P <sub>T</sub>	Total power dissipation	T <sub>a</sub> =25°C	1.5	W
		T <sub>C</sub> =25°C	20	
T <sub>j</sub>	Junction temperature		150	°C
T <sub>stg</sub>	Storage temperature		-50~150	°C

## Silicon NPN Power Transistors

2SD381

## CHARACTERISTICS

T<sub>j</sub>=25°C unless otherwise specified

SYMBOL	PARAMETER	CONDITIONS	MIN	TYP.	MAX	UNIT
V <sub>(BR)CEO</sub>	Collector-emitter breakdown voltage	I <sub>C</sub> =10mA; I <sub>B</sub> =0	120			V
V <sub>CEsat</sub>	Collector-emitter saturation voltage	I <sub>C</sub> =1A; I <sub>B</sub> =0.1A			2.0	V
V <sub>BEsat</sub>	Base-emitter saturation voltage	I <sub>C</sub> =1A; I <sub>B</sub> =0.1A			1.5	V
I <sub>CBO</sub>	Collector cut-off current	V <sub>CB</sub> =120V; I <sub>E</sub> =0			1.0	μA
I <sub>EBO</sub>	Emitter cut-off current	V <sub>EB</sub> =3V; I <sub>C</sub> =0			1.0	μA
h <sub>FE-1</sub>	DC current gain	I <sub>C</sub> =5mA; V <sub>CE</sub> =5V	25			
h <sub>FE-2</sub>	DC current gain	I <sub>C</sub> =0.3A; V <sub>CE</sub> =5V	40		250	
C <sub>OB</sub>	Output capacitance	I <sub>E</sub> =0; V <sub>CB</sub> =10V; f=1MHz		25		pF
f <sub>T</sub>	Transition frequency	I <sub>C</sub> =0.1A; V <sub>CE</sub> =5V		45		MHz

◆ h<sub>FE-2</sub> Classifications

N	M	L	K
40-80	60-120	80-160	120-250

Silicon NPN Power Transistors

2SD381

PACKAGE OUTLINE

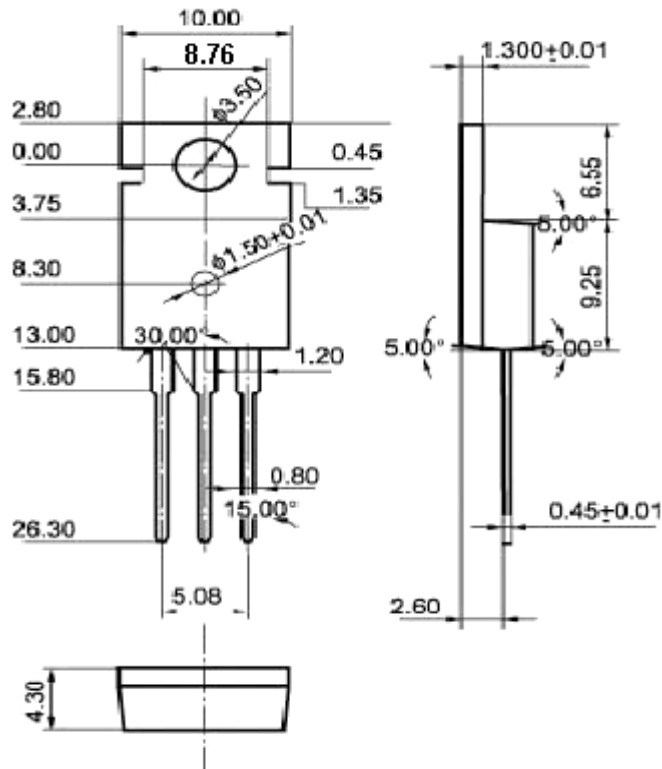


Fig.2 Outline dimensions (unindicated tolerance:±0.10mm)