

Smart Lowside Power Switch

Features

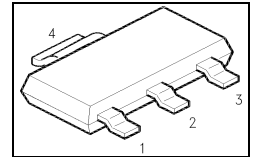
- Logic Level Input
- Input protection (ESD)
- Thermal shutdown (with restart)
- Overload protection
- Short circuit protection
- Overvoltage protection
- Current limitation

Product Summary

Continuous drain source voltage	V_{DS}	55	V
On-state resistance	$R_{DS(ON)}$	550	mΩ
Current limitation	$I_{D(lim)}$	1	A
Load current (ISO)	$I_{D(ISO)}$	0.7	A
Clamping energy	E_{AS}	550	mJ

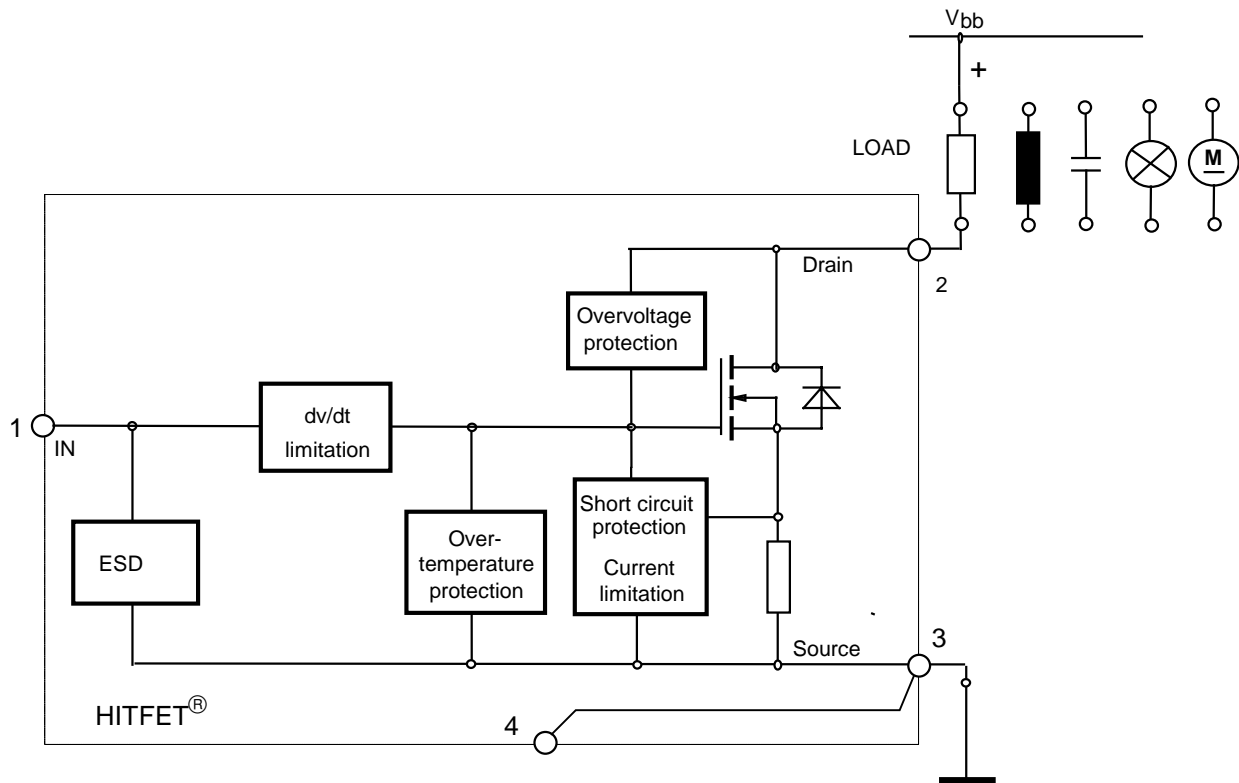
Application

- All kinds of resistive, inductive and capacitive loads in switching applications
- μ C compatible power switch for 12 V and 24 V DC applications
- Replaces electromechanical relays and discrete circuits



General Description

N channel vertical power FET in **Smart Power Technology**. Fully protected by embedded protection functions.



Pin	Symbol	Function
1	IN	Input
2	DRAIN	Output to the load
3	SOURCE	Ground
TAB	SUBSTRATE	Internally connected to source (pin 3)

Maximum Ratings at $T_j=25^\circ\text{C}$ unless otherwise specified

Parameter	Symbol	Values	Unit	
Continuous drain source voltage (overvoltage protection see page 4)	V_{DS}	55	V	
Drain source voltage for short circuit protection	V_{DS}	32	V	
Load dump protection $V_{LoadDump}=U_P+U_S$; $U_P=13.5\text{ V}$ $R_l^1=2\ \Omega$; $t_d=400\text{ms}$; IN=low or high (8V) $R_L=50\ \Omega$ $R_l=2\ \Omega$; $t_d=400\text{ms}$; IN=high (8V) $R_L=22\ \Omega$	$V_{LoadDump}^{2)}$	80 47	V	
Continuous input voltage	V_{IN}	-0.2 ... +10	V	
Peak input voltage	V_{IN}	-0.2 ... +20	V	
Operating temperature range	T_j	-40 ... +150	$^\circ\text{C}$	
Storage temperature range	T_{stg}	-55 ... +150		
Power dissipation (DC)	P_{tot}	1.8	W	
Unclamped single pulse inductive energy $I_{D(ISO)} = 0.7\text{ A}$	E_{AS}	550	mJ	
Electrostatic discharge voltage (Human Body Model) according to MIL STD 883D, method 3015.7 and EOS/ESD assn. standard S5.1 - 1993	V_{ESD}	4000	V	
DIN humidity category, DIN 40 040		E		
IEC climatic category, DIN IEC 68-1		40/150/56		
Thermal resistance	junction soldering point: junction - ambient ³⁾ :	R_{thJS} R_{thJA}	≤ 10 ≤ 70	K/W

¹⁾ R_l =internal resistance of the load dump test pulse generator LD200

²⁾ $V_{LoadDump}$ is setup without DUT connected to the generator per ISO 7637-1 and DIN 40 839.

³⁾ Device on epoxy pcb 40mm x 40 mm x 1.5mm with 6cm² copper area for pin 4 connection

Electrical Characteristics

Parameter and Conditions at $T_j = 25^\circ\text{C}$, unless otherwise specified	Symbol	Values			Unit
		min	typ	max	

Static Characteristics

Drain source clamp voltage $I_D = 10\text{ mA}$ $T_j = -40\dots+150^\circ\text{C}$:	$V_{DS(AZ)}$	55	--	70	V	
Off state drain current $V_{IN} = 0\text{ V}$, $V_{DS} = 32\text{ V}$ $T_j = -40\dots+150^\circ\text{C}$:	I_{DSS}	--	--	5	μA	
Input threshold voltage $I_D = 10\text{ mA}$	$V_{IN(th)}$	2	2.5	3	V	
Input current $V_{IN} = 5\text{ V}$	normal operation, $I_D < I_{D(lim)}$:	$I_{IN(1)}$	--	100	200	μA
	current limitation mode, $I_D = I_{D(lim)}$:	$I_{IN(2)}$	--	200	300	
	after thermal shutdown, $I_D = 0\text{ A}$:	$I_{IN(3)}$	1000	1500	2000	
On-state resistance $I_D = 0.7\text{ A}$, $V_{IN} = 5\text{ V}$	$T_j = 25^\circ\text{C}$:	$R_{DS(on)}$	--	550	675	$\text{m}\Omega$
	$T_j = 150^\circ\text{C}$:		--	850	1350	
On-state resistance $I_D = 0.7\text{ A}$, $V_{IN} = 10\text{ V}$	$T_j = 25^\circ\text{C}$:	$R_{DS(on)}$	--	475	550	$\text{m}\Omega$
	$T_j = 150^\circ\text{C}$:		--	750	1000	
Nominal load current(ISO 10483) $V_{IN} = 10\text{ V}$, $V_{DS} = 0.5\text{ V}$, $T_S = 85^\circ\text{C}$	$I_{D(ISO)}$	0.7	--	--	A	
Current limit $V_{IN} = 10\text{ V}$, $V_{DS} = 12\text{ V}$	$I_{D(lim)}$	1	1.5	1.9	A	

Dynamic characteristics

Turn-on time $R_L = 22\ \Omega$, $V_{IN} = 0\text{ to }10\text{ V}$, $V_{bb} = 12\text{ V}$	V_{IN} to 90% I_D : t_{on}	--	10	20	μs
Turn-off time $R_L = 22\ \Omega$, $V_{IN} = 10\text{ to }0\text{ V}$, $V_{bb} = 12\text{ V}$	V_{IN} to 10% I_D : t_{off}	--	10	20	μs
Slew rate on $R_L = 22\ \Omega$, $V_{IN} = 0\text{ to }10\text{ V}$, $V_{bb} = 12\text{ V}$	70 to 50% V_{bb} : $-dV_{DS}/dt_{on}$	--	4	10	$\text{V}/\mu\text{s}$
Slew rate off $R_L = 22\ \Omega$, $V_{IN} = 10\text{ to }0\text{ V}$, $V_{bb} = 12\text{ V}$	50 to 70% V_{bb} : dV_{DS}/dt_{off}	--	4	10	$\text{V}/\mu\text{s}$

Parameter and Conditions at $T_j = 25\text{ °C}$, unless otherwise specified	Symbol	Values			Unit
		min	typ	max	

Protection Functions

Thermal overload trip temperature	T_{jt}	150	165	--	°C
Thermal hysteresis	ΔT_{jt}	--	10	--	K
Unclamped single pulse inductive energy $I_{D(ISO)}=0.7\text{ A}$, $V_{bb}=32\text{ V}$	E_{AS}	550 200	--	--	mJ
$T_j=25\text{ °C}$ $T_j=150\text{ °C}$					

Inverse Diode

Continuous source drain voltage $V_{IN} = 0\text{ V}$, $-I_D = 2 \cdot 0.7\text{ A}$	V_{SD}	--	1	--	V
--	----------	----	---	----	---

Circuit Description

The BSP 75 is a monolithic power switch in Smart Power Technology (SPT) with a logic level input, an open drain DMOS output stage and integrated protection functions. It is designed for all kind of resistive and inductive loads (relays, solenoid) in automotive and industrial applications.

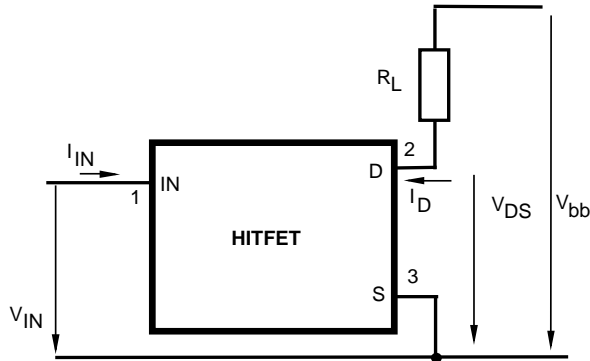
Protection functions

- **Overvoltage protection:** An internal clamp limits the output voltage at $V_{DS(AZ)}$ (about 63 V) when inductive loads are switched off.
- **Current limitation:** By means of an internal current measurement the drain current is limited at $I_{D(lim)}$ (1.4 - 1.5 A typ.). If the current limitation is active the device operates in the linear region, so power dissipation may exceed the capability of the heatsink. This operation leads to an increasing junction temperature until the overtemperature threshold is reached.
- **Overtemperature and short circuit protection:** This protection is based on sensing the chip temperature. The location of the sensor ensures a fast and accurate junction temperature detection. Overtemperature shutdown occurs at minimum 150 °C. A hysteresis of typ. 10 K enables an automatical restart by cooling.

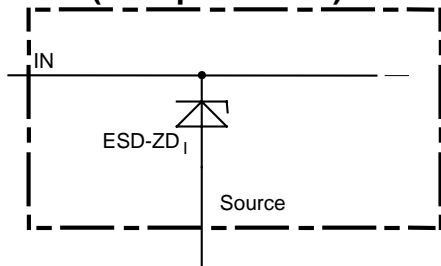
The device is ESD protected according Human Body Model (4 kV) and load dump protected (see Maximum Ratings).

Block diagram

Terms

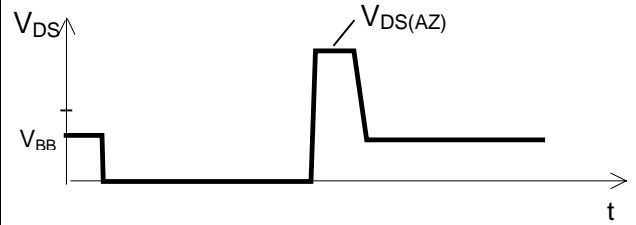
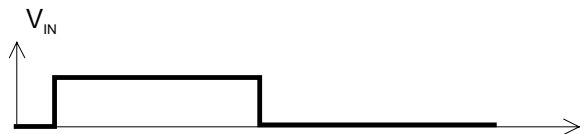
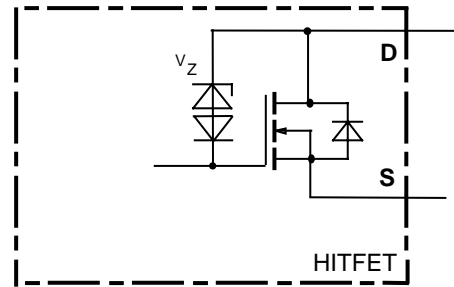


Input circuit (ESD protection)

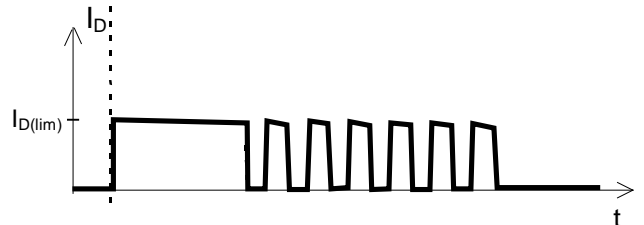
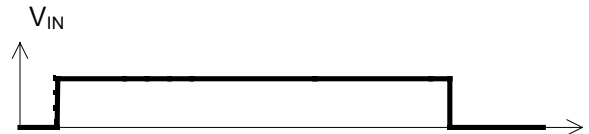


ESD zener diodes are not designed for DC current.

Inductive and overvoltage output clamp



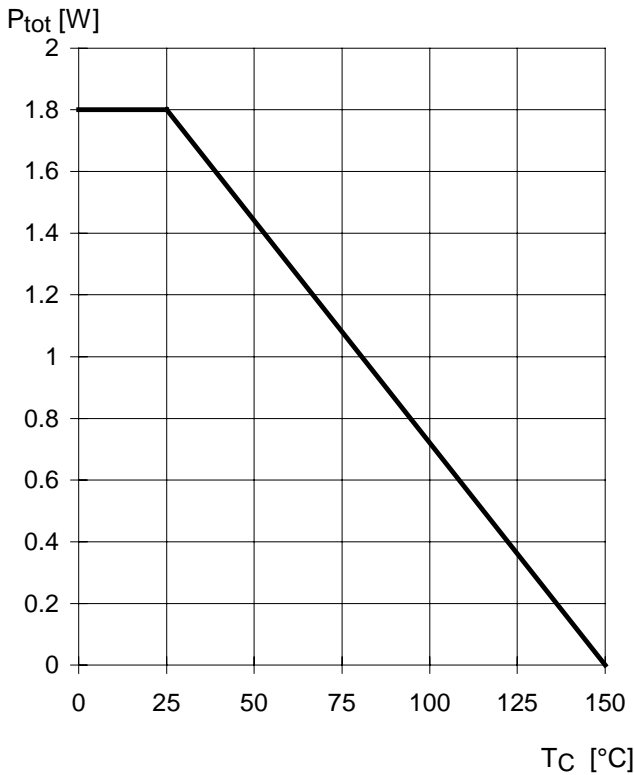
Turn on into overload or short circuit



Shut down by overtemperature and restart by cooling. Current internally limited at $I_{D(lim)}$.

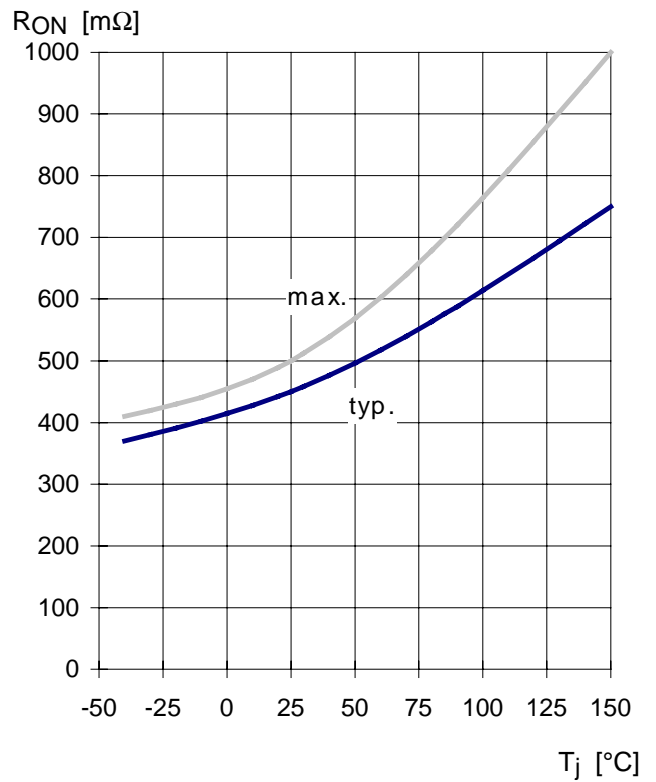
Maximum allowable power dissipation

$$P_{tot} = f(T_C)$$



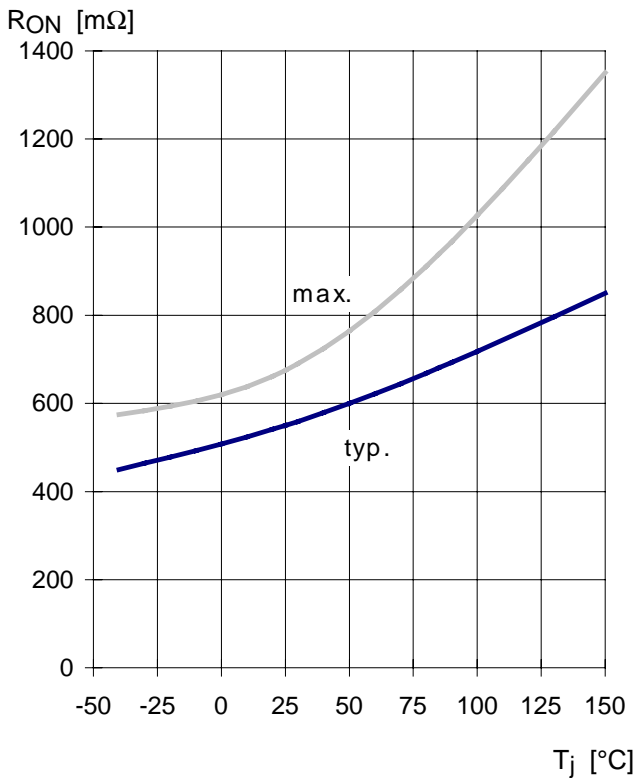
On-state resistance

$$R_{ON} = f(T_j); I_D = 0.7 \text{ A}; V_{IN} = 10 \text{ V}$$



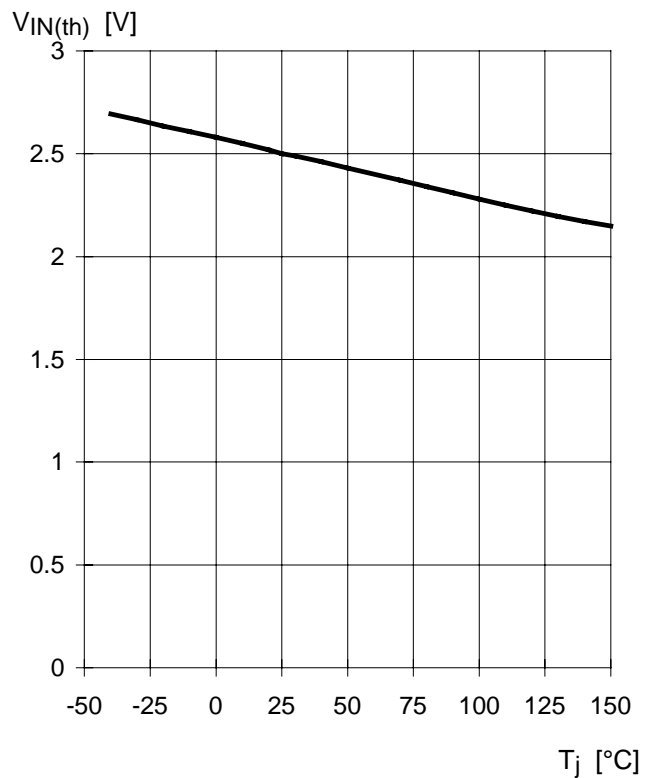
On-state resistance

$$R_{ON} = f(T_j); I_D = 0.7 \text{ A}; V_{IN} = 5 \text{ V}$$

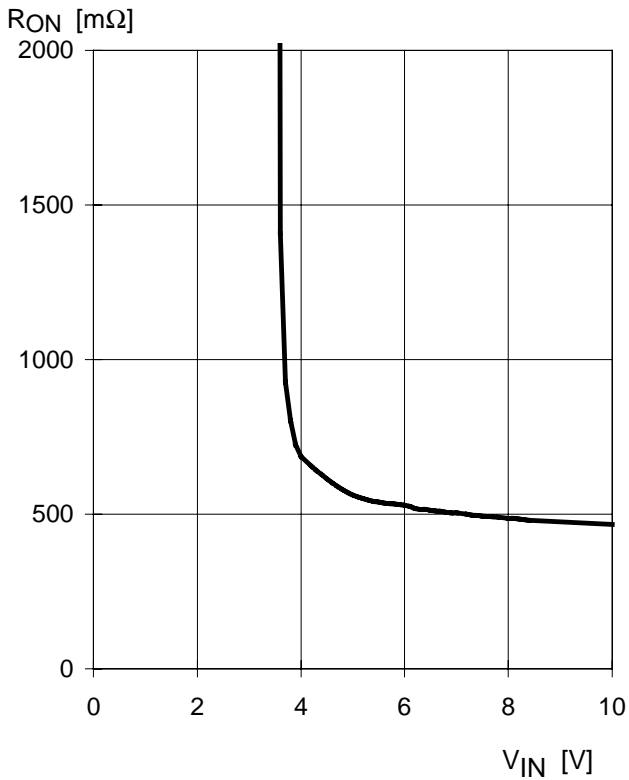


Typ. input threshold voltage

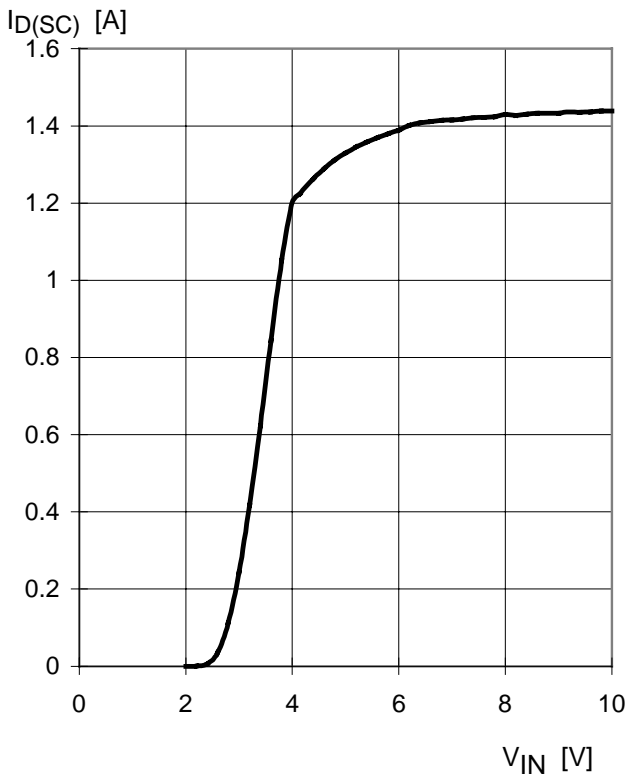
$$V_{IN(th)} = f(T_j); I_D = 10 \text{ mA}; V_{DS} = 12 \text{ V}$$



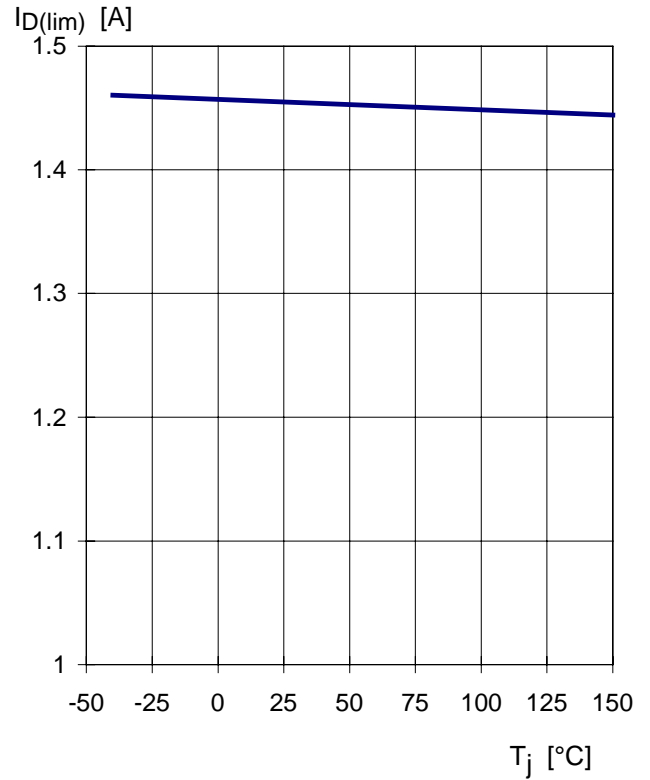
Typ. on-state resistance
 $R_{ON} = f(V_{IN})$ $I_D = 0.7 \text{ A}$; $T_j = 25^\circ\text{C}$



Typ. short circuit current
 $I_{D(SC)} = f(V_{IN})$; $V_{DS} = 12\text{V}$, $T_j = 25^\circ\text{C}$

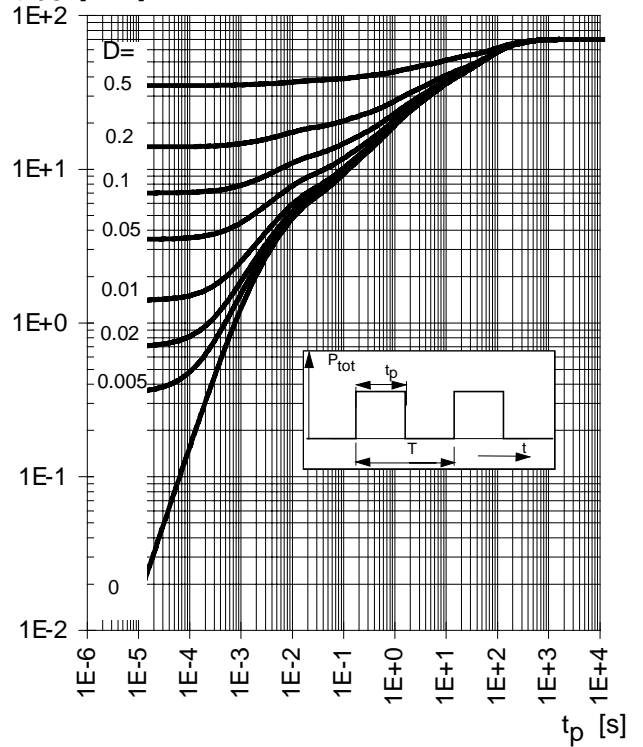


Typ. current limitation
 $I_{D(lim)} = f(T_j)$; $V_{DS} = 12\text{V}$, $V_{IN} = 10\text{V}$



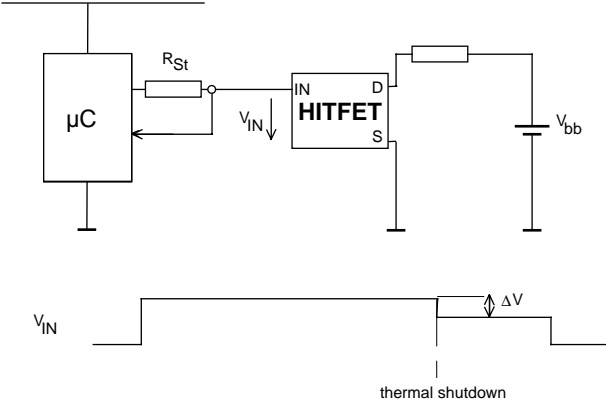
Transient thermal impedance

$Z_{thJC} = f(t_p)$
 Parameter: $D = t_p / T$
 Z_{thJC} [K/W]



Application examples:

Status signal of thermal shutdown by monitoring input current



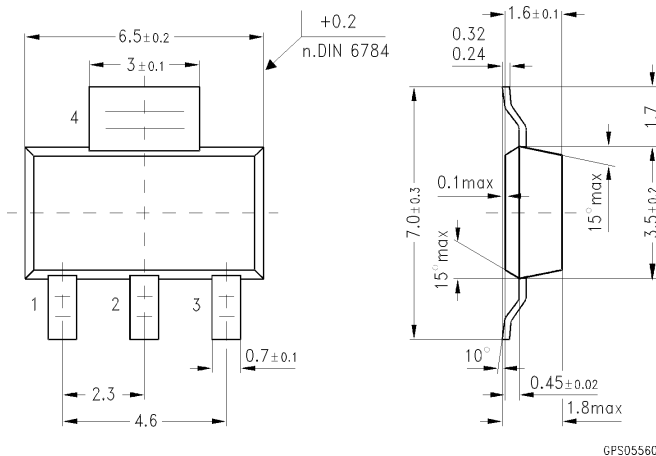
Package and ordering code

all dimensions in mm

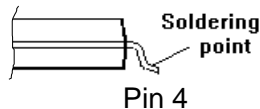
SOT223/4

Ordering code

BSP75	Q67060-S7200-A2
-------	-----------------



Definition of soldering point with temperature T_S :
upper side of solder edge of device pin 4.



Edition 7.97

Published by Siemens AG,
Bereich Halbleiter Vertrieb,
Werbung, Balanstraße 73,
81541 München

© Siemens AG 1997
All Rights Reserved.

Attention please!

As far as patents or other rights of third parties are concerned, liability is only assumed for components. The information describes a type of component and shall not be considered as warranted characteristics. Terms of delivery and rights to change design reserved. For questions on technology, delivery and prices please contact the Semiconductor Group Offices in Germany or the Siemens Companies and Representatives worldwide (see address list). Due to technical requirements components may contain dangerous substances. For information on the types in question please contact your nearest Siemens Office, Semiconductor Group. Siemens AG is an approved CECC manufacturer.

Packing

Please use the recycling operators known to you. We can also help you - get in touch with your nearest sales office. By agreement we will take packing material back, if it is sorted. You must bear the costs of transport.

For packing material that is returned to us unsorted or which we are not obliged to accept, we shall have to invoice you for any costs incurred.

Components used in life-support devices or systems must be expressly authorized for such purpose!

Critical components¹ of the Semiconductor Group of Siemens AG, may only be used in life-support devices or systems² with the express written approval of the Semiconductor Group of Siemens AG.

1) A critical component is a component used in a life-support device or system whose failure can reasonably be expected to cause the failure of that life-support device or system, or to affect its safety or effectiveness of that device or system.

2) Life support devices or systems are intended (a) to be implanted in the human body, or (b) to support and/or maintain and sustain and/or protect human life. If they fail, it is reasonable to assume that the health of the user or other persons may be endangered.