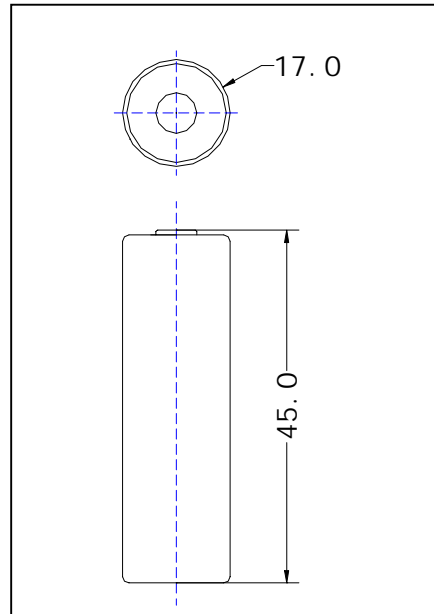


**Manganese Dioxide Lithium Battery(Li/MnO<sub>2</sub>)**

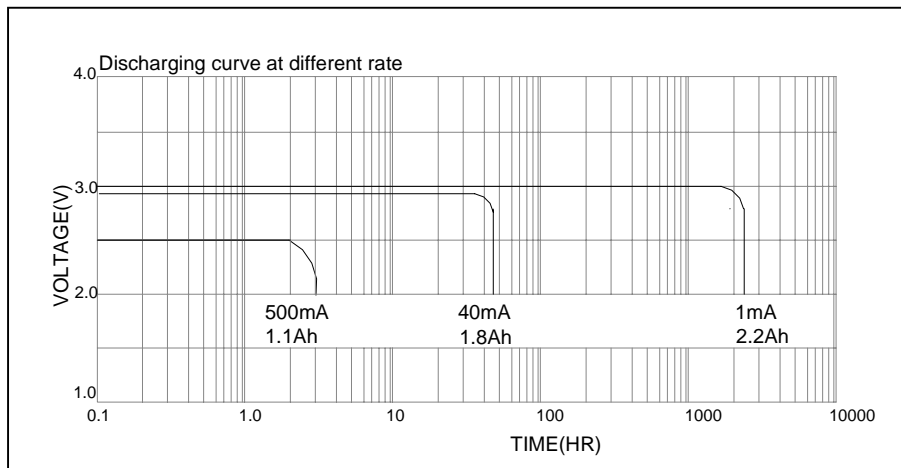
MODEL: CR17450

Nominal capacity (10mA to 2.0V)	2200 mAh
Nominal voltage	3.0 V
Max. Continuous operating current	1000 mA
Max. pulse current	1500 mA
Battery weight	25 g
Battery Dimension mm	φ 17.0 <sup>±0.2</sup> × 45.0 <sup>-0.2</sup>
operating temperature	-40°C~+60°C



Notes: All dimensions are in mm.  
Tolerance is ±0.3mm.

**Characteristics**



**Warning:**

- .Do not short-circuit;
- .Do not recharge, force over-discharge, assemble / disassemble and crush; risk of fire and burns;
- .Do not use under temperature above specified range