

## 2W005M THRU 2W10M

### Single Phase 2.0 AMPS. Silicon Bridge Rectifiers

#### Features

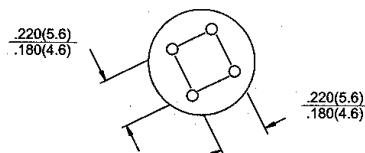
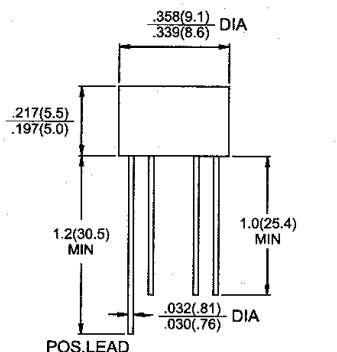
- UL Recognized
- Surge overload ratings to 30 amperes peak
- Ideal for printed circuit board
- Reliable low cost construction technique results in inexpensive product
- High temperature soldering guaranteed: 250°C / 10 seconds / 0.375" ( 9.5mm ) lead length at 5 lbs., ( 2.3 kg ) tension

#### Mechanical Data

- Case: Molded plastic
- Lead: Solder plated
- Polarity: As marked
- Weight: 1.10 grams

Voltage Range  
50 to 1000 Volts  
Current  
2.0 Amperes

#### WOB



Dimensions in inches and (millimeters)

#### Maximum Ratings and Electrical Characteristics

Rating at 25°C ambient temperature unless otherwise specified.

Single phase, half wave, 60 Hz, resistive or inductive load.

For capacitive load, derate current by 20%

Symbol	2W 005M	2W 01M	2W 02M	2W 04M	2W 06M	2W 08M	2W 10M	Units
Maximum Recurrent Peak Reverse Voltage	50	100	200	400	600	800	1000	V
Maximum RMS Voltage	35	70	140	280	420	560	700	V
Maximum DC Blocking Voltage	50	100	200	400	600	800	1000	V
Maximum Average Forward Rectified Current @ T <sub>A</sub> = 50°C	2.0							A
Peak Forward Surge Current, 8.3 ms Single Half Sine-wave Superimposed on Rated Load (JEDEC method )	50							A
Maximum Instantaneous Forward Voltage @ 2.0A	1.1							V
Maximum DC Reverse Current @ T <sub>A</sub> =25°C at Rated DC Blocking Voltage @ T <sub>A</sub> =100°C	10 500							uA uA
Operating Temperature Range T <sub>J</sub>	-55 to +125							°C
Storage Temperature Range T <sub>STG</sub>	-55 to +150							°C

## RATINGS AND CHARACTERISTIC CURVES (2W005M THRU 2W10M)

FIG.1- MAXIMUM NON-REPETITIVE FORWARD SURGE CURRENT PER BRIDGE ELEMENT

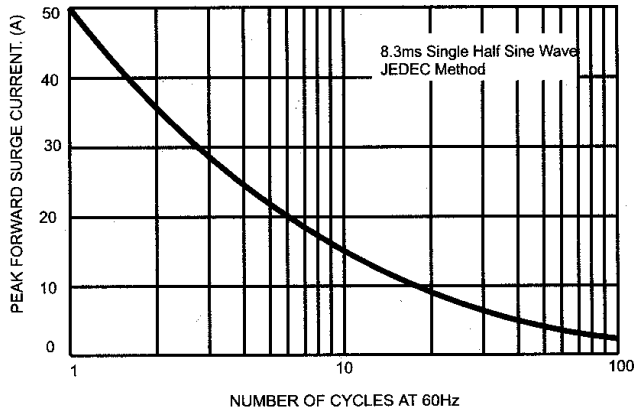


FIG.2- MAXIMUM CURRENT DERATING CURVE OUTPUT RECTIFIED CURRENT

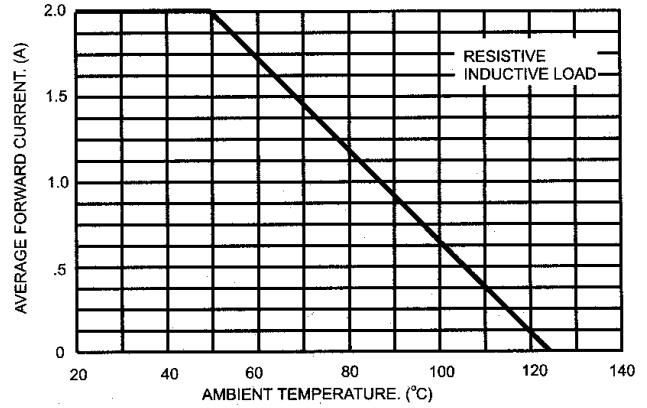


FIG.3- TYPICAL INSTANTANEOUS FORWARD CHARACTERISTICS PER BRIDGE ELEMENT

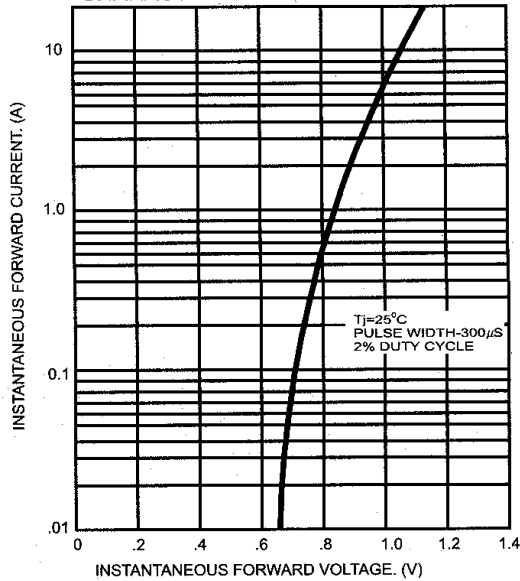


FIG.4- TYPICAL REVERSE CHARACTERISTICS PER BRIDGE ELEMENT

