

Features

- Up to 2 Gsps Sampling Rate
- Power Consumption: 4.6W
- 500 mVpp Differential 100Ω or Single-ended 50Ω ($\pm 2\%$) Analog Inputs
- Differential 100Ω or Single-ended 50Ω Clock Inputs
- ECL or LVDS Output Compatibility
- 50Ω Differential Outputs with Common Mode not Dependent on Temperature
- ADC Gain Adjust
- Sampling Delay Adjust
- Offset Control Capability
- Data Ready Output with Asynchronous Reset
- Out-of-range Output Bit
- Selectable Decimation by 32 Functions
- Gray or Binary Selectable Output Data; NRZ Output Mode
- Pattern Generator Output (for Acquisition System Monitoring)
- Radiation Tolerance Oriented Design (More Than 100 Krad (Si) Expected)
- CBGA 152 Cavity Down Hermetic Package
- CBGA Package Evaluation Board TSEV83102G0BGL
- Companion Device: DMUX 8-/10-bit 1:4/1:8 2 Gsps TS81102G0

Performance

- 3.3 GHz Full Power Input Bandwidth (-3 dB)
- Gain Flatness: ± 0.2 dB (from DC up to 1.5 GHz)
- Low Input VSWR: 1.2 Max from DC to 2.5 GHz
- SFDR = -59 dBc; 7.6 Effective Bits at $F_S = 1.4$ Gsps, $F_{IN} = 700$ MHz [-1 dBFS]
- SFDR = -53 dBc; 7.1 Effective Bits at $F_S = 1.4$ Gsps, $F_{IN} = 1950$ MHz [-1 dBFS]
- SFDR = -54 dBc; 6.5 Effective Bits at $F_S = 2$ Gsps, $F_{IN} = 2$ GHz [-1 dBFS]
- Low Bit Error Rate (10^{-12}) at 2 Gsps

Application

- Direct RF Down Conversion
- Wide Band Satellite Receiver
- High-speed Instrumentation
- High-speed Acquisition Systems
- High-energy Physics
- Automatic Test Equipment
- Radar

Screening

- Temperature Range for Packaged Device:
 - “C” grade: $0^\circ\text{C} < T_c; T_j < 90^\circ\text{C}$
 - “V” grade: $-20^\circ\text{C} < T_c; T_j < 110^\circ\text{C}$
- Standard Die Flow (upon Request)

Description

The TS83102G0B is a monolithic 10-bit analog-to-digital converter, designed for digitizing wide bandwidth analog signals at very high sampling rates of up to 2 Gsps. It uses an innovative architecture, including an on-chip Sample and Hold (S/H). The 3.3 GHz full power input bandwidth and band flatness performances enable the digitizing of high IF and large bandwidth signals.



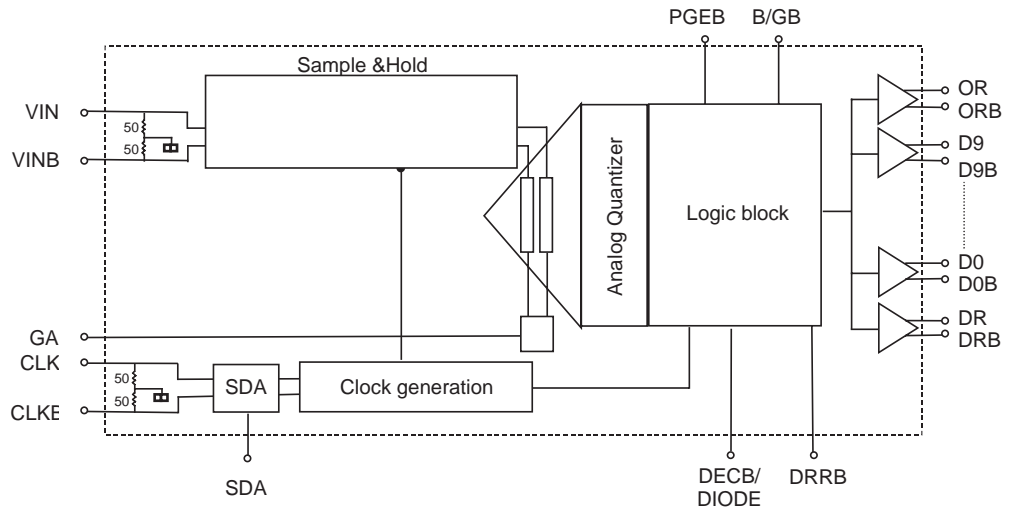
**10-bit 2 Gsps
ADC**

TS83102G0B



2101C-BDC-02/04

Figure 1. Simplified Block Diagram



Functional Description

The TS83102G0B is a 10-bit 2 Gsps ADC. The device includes a front-end master/slave Track and Hold stage (Sample and Hold), followed by an analog encoding stage (Analog Quantizer), which outputs analog residues resulting from analog quantization. Successive banks of latches regenerate the analog residues into logical levels before entering an error correction circuit and resynchronization stage, followed by 50 Ω differential output buffers.

The TS83102G0B works in a fully differential mode from analog inputs to digital outputs. A differential Data Ready output (DR/DRB) is available to indicate when the outputs are valid and an Asynchronous Data Ready Reset ensures that the first digitized data corresponds to the first acquisition.

The control pin B/GB (A11 of the CBGA package) is provided to select either a binary or gray data output format. The gain control pin GA (R9 of the CBGA package) is provided to adjust the ADC gain transfer function.

A Sampling Delay Adjust function (SDA) may be used to ease the interleaving of ADCs.

A pattern generator is integrated on the chip for debug or acquisition setup. This function is activated through the PGE B pin (A9 of the CBGA package).

An Out-of-range bit (OR/ORB) indicates when the input overrides 0.5 Vpp.

A selectable decimation by 32 functions is also available for enhanced testability coverage (A10 of the CBGA package), along with the die junction temperature monitoring function.

The TS83102G0B uses only vertical isolated NPN transistors together with oxide isolated polysilicon resistors, which allows enhanced radiation tolerance (over 100 kRad (Si) total dose expected tolerance).

Specification

Absolute Maximum Ratings

Parameter	Symbol	Comments	Value	Unit
Positive supply voltage	V_{CC}		GND to 6.0	V
Digital negative supply voltage	D_{VEE}		GND to -5.7	V
Digital positive supply voltage	V_{PLUSD}		GND - 1.1 to 2.5	V
Negative supply voltage	V_{EE}		GND to -5.5	V
Maximum difference between negative supply voltages	D_{VEE} to V_{EE}		0.3	V
Analog input voltages	V_{IN} or V_{INB}		-1.5 to 1.5	V
Maximum difference between V_{IN} and V_{INB}	$V_{IN} - V_{INB}$		-1.5 to 1.5	V
Clock input voltage	V_{CLK} or V_{CLKB}		-1 to 1	V
Maximum difference between V_{CLK} and V_{CLKB}	$V_{CLK} - V_{CLKB}$		-1 to 1	Vpp
Static input voltage	V_D	GA, SDA	-5 to 0.8	V
Digital input voltage	V_D	SDAEN, DRRB, B/GB, PGEb, DECB	-5 to 0.8	V
Digital output voltage	V_O		V_{PLUSD} min operating -2.2 to V_{PLUSD} max operating + 0.8	V
Junction temperature	T_J		130	°C

Note: Absolute maximum ratings are short term limiting values (referenced to GND = 0V), to be applied individually, while other parameters are within specified operating conditions. Long exposure to maximum ratings may affect device reliability. All integrated circuits have to be handled with appropriate care to avoid damage due to ESD. Damage caused by inappropriate handling or storage could range from performance degradation to complete failure.

Recommended Conditions of Use

Parameter	Symbol	Comments	Min	Typ	Max	Unit	
Positive supply voltage	V_{CC}		4.75	5	5.25	V	
Positive digital supply voltage	V_{PLUSD}	Differential ECL output compatibility	- 0.9	- 0.8	- 0.7	V	
		LVDS output compatibility	1.375	1.45	1.525	V	
		Grounded ⁽¹⁾					
		Maximum operating V_{PLUSD}				1.7	V
Negative supply voltages	V_{EE}, D_{VEE}		- 5.25	- 5.0	- 4.75	V	
Differential analog input voltage (full-scale)	V_{IN}, V_{INB} $V_{IN} - V_{INB}$	50 Ω differential or single-ended	± 113 450	± 125 500	± 137 550	mV mVpp	
Clock input power level (ground common mode)	P_{CLK}, P_{CLKB}	50 Ω single-ended clock input or 100 Ω differential clock (recommended)	- 4	0	4	dBm	

Recommended Conditions of Use (Continued)

Parameter	Symbol	Comments	Min	Typ	Max	Unit
Operating Temperature Range		Commercial "C" grade Industrial "V" grade	0°C < T _C ; T _J < 90°C -20°C < T _C ; T _J < 110°C			°C
Storage Temperature	Tstg		-65 to 150			°C
Lead Temperature	Tlead		300			°C

Note: 1. ADC performances are independent on V_{PLUSD} common mode voltage and performances are guaranteed in the limits of the specified V_{PLUSD} range (from -0.9V to 1.7V).

Electrical Operating Characteristics

V_{CC} = 5V ; V_{PLUSD} = 0V (unless otherwise specified). ADC performances are independent of V_{PLUSD} common mode voltage and performances are guaranteed within the limits of the specified V_{PLUSD} range (from -0.9V to 1.7V);
V_{EE} = D_{VEE} = -5V; V_{IN} - V_{INB} = 500 mVpp (full-scale single-ended or differential input);
clock inputs differential driven; analog-input single-ended driven.

Parameter	Test Level	Symbol	Min	Typ	Max	Unit
Resolution				10		Bits
Power Requirements						
Positive supply voltage						
- analog	1	V _{CC}	4.75	5	5.25	V
- digital (ECL)	1	V _{PLUSD}		- 0.8		V
- digital (LVDS)	4	V _{PLUSD}		1.45		V
Positive supply current						
- analog	1	I _{VCC}		138	205	mA
- digital	1	I _{VPLUSD}		154	200	mA
Negative supply voltage						
- analog	1	V _{EE}	-5.25	-5	-4.75	V
- digital	1	D _{VEE}	-5.25	-5	-4.75	V
Negative supply current						
- analog	1	V _{EE}		615	750	mA
- digital	1	I _{DVEE}		160	200	mA
Power dissipation						
- ECL	1			4.6	5.2	W
- LVDS	4	P _D		5.0	5.7	W
Analog Inputs						
Full-scale input voltage range (differential mode) (0 V common mode voltage)	4	V _{IN}	- 125		125	mV
	4	V _{INB}	- 125		125	mV
Full-scale input voltage range (single-ended input option) (0 V common mode voltage)	4	V _{IN}	- 250	0	250	mV
	4	V _{INB}				mV

Electrical Operating Characteristics (Continued)

$V_{CC} = 5V$; $V_{PLUSD} = 0V$ (unless otherwise specified). ADC performances are independent of V_{PLUSD} common mode voltage and performances are guaranteed within the limits of the specified V_{PLUSD} range (from -0.9V to 1.7V);
 $V_{EE} = D_{VEE} = -5V$; $V_{IN} - V_{INB} = 500$ mVpp (full-scale single-ended or differential input);
 clock inputs differential driven; analog-input single-ended driven.

Parameter	Test Level	Symbol	Min	Typ	Max	Unit
Analog input power level (50 Ω single-ended)	4	P_{IN}		- 2		dBm
Analog input capacitance (die)	4	C_{IN}		0.3		pF
Input leakage current	4	I_{IN}		10		μA
Input resistance						
- single-ended	4	R_{IN}	49	50	51	Ω
- differential	4	R_{IN}	98	100	102	Ω
Clock Inputs						
Logic common mode compatibility for clock inputs			Differential ECL to LVDS			
Clock inputs common voltage range (V_{CLK} or V_{CLKB}) (DC coupled clock input) AC coupled for LVDS compatibility (common mode 1.2V)	4	V_{CM}	-1.2	0	0.3	V
Clock input power level (low-phase noise sinewave input) 50 Ω single-ended or 100 Ω differential	4	P_{CLK}	-4	0	4	dBm
Clock input swing (single ended; with CLKB = 50 Ω to GND)	4	V_{CLK}	± 200	± 320	± 500	mV
Clock input swing (differential voltage) - on each clock input	4	V_{CLK} V_{CLKB}	± 141	± 226	± 354	mV
Clock input capacitance (die)	4	C_{CLK}		0.3		pF
Clock input resistance						
- single-ended		R_{CLK}	45	50	55	Ω
- differential ended		R_{CLK}	90	100	110	Ω
Digital Inputs (SDAEN, PGEB, DECB/Diode, B/GB, DRRB)						
- logic low	4	V_{IL}	-5		-3	V
- logic high		V_{IH}	-2		0	V
Digital Inputs (DRRB Only)						
Logic Compatibility			Negative ECL			
- logic low	4	V_{IL}	-1.810		-1.625	V
- logic high		V_{IH}	-1.165		-0.880	V

Electrical Operating Characteristics (Continued)

$V_{CC} = 5V$; $V_{PLUSD} = 0V$ (unless otherwise specified). ADC performances are independent of V_{PLUSD} common mode voltage and performances are guaranteed within the limits of the specified V_{PLUSD} range (from $-0.9V$ to $1.7V$);
 $V_{EE} = D_{VEE} = -5V$; $V_{IN} - V_{INB} = 500$ mVpp (full-scale single-ended or differential input);
 clock inputs differential driven; analog-input single-ended driven.

Parameter	Test Level	Symbol	Min	Typ	Max	Unit
Digital Outputs ⁽¹⁾						
Logic compatibility (depending on V_{PLUSD} value)	Differential ECL ($V_{PLUSD} = -0.8V$ typical)					
Output levels 50 Ω transmission lines, 100 Ω (2 x 50 Ω) differentially terminated						
- logic low	1	V_{OL}		-1.17	-1.10	V
- logic high	1	V_{OH}	-0.98	-0.94		V
- swing (each single-ended output)	1	$V_{OH} - V_{OL}$	200	230	300	mV
- common mode	4		-0.95	-1.05	-1.15	V
Logic compatibility (depending on V_{PLUSD} value)	LVDS ($V_{PLUSD} = 1.45V$ typical)					
Output levels 50 Ω transmission lines, 100 Ω (2 x 50 Ω) differentially terminated						
- logic low	4	V_{OL}	825	1090		mV
- logic high	4	V_{OH}		1310	1575	mV
- swing (each single-ended output)	4	$V_{OH} - V_{OL}$	200	230	300	mV
- common mode	4				1275	mV
max $V_{PLUSD} = 1.525V$	4		1190	1200	1210	mV
typ $V_{PLUSD} = 1.45V$	4		1125			mV
min $V_{PLUSD} = 1.375V$	4					mV
DC Accuracy						
DNLrms ⁽²⁾	4	DNLrms	0.50	0.53	0.55	LSB
Differential non-linearity ⁽³⁾	1	DNL+		1.5	2	LSB
Integral non-linearity ⁽³⁾	1	INL-	- 4.0	- 2.4		LSB
Integral non-linearity ⁽³⁾	1	INL+		2.4	4.0	LSB
Gain central value ⁽⁴⁾	1		0.89	0.94	1.1	
Gain error drift	4			23	35	ppm/ $^{\circ}C$
Input offset voltage	1		- 10		10	mV

- Notes: 1. Differential output buffers impedance = 100 Ω differential (50 Ω single-ended). See Figures starting on page 42.
 2. Histogram testing at $F_s = 1$ Gsps, $F_{in} = 100$ MHz, DNLrms is a component of quantization noise.
 3. Histogram testing at $F_s = 50$ Msps, $F_{in} = 25$ MHz
 4. This range of gain can be set to "1" by using the gain adjust function.

AC Electrical Characteristics at Ambient and Hot Temperatures (T_J Max)

Parameter	Test Level	Symbol	Min	Typ	Max	Unit
AC Analog Inputs						
Full power input bandwidth ⁽¹⁾	4	FPBW		3.3		GHz
Small signal input bandwidth (10% full-scale) ⁽¹⁾	4	SSBW		3.5		GHz
Gain flatness ⁽²⁾	4	BF		± 0.2	± 0.3	dB
Input voltage standing wave ratio ⁽³⁾	4	VSWR		1.1 :1	1.2:1	
AC Performance: Nominal Condition at Ambient and Hot Temperatures T_J Max						
-1 dBFS single-ended input mode (unless otherwise specified); 50% clock duty cycle; 0 dBm differential clock (CLK, CLKB); binary output data format						
Signal-to-noise and distortion ratio Fs = 1 Gsps Fin = 100 MHz Fs = 1.4 Gsps Fin = 700 MHz Fs = 1.4 Gsps Fin = 1950 MHz Fs = 2 Gsps Fin = 2 GHz	4	SINAD	47 44 43 38	50 48 45 41		dB
Effective number of bits Fs = 1 Gsps Fin = 100 MHz Fs = 1.4 Gsps Fin = 700 MHz Fs = 1.4 Gsps Fin = 1950 MHz Fs = 2 Gsps Fin = 2 GHz	4	ENOB	7.5 7.0 6.8 6.1	8.0 7.6 7.1 6.5		Bit
Signal to noise ratio Fs = 1 Gsps Fin = 100 MHz Fs = 1.4 Gsps Fin = 700 MHz Fs = 1.4 Gsps Fin = 1950 MHz Fs = 2 Gsps Fin = 2 GHz	4	SNR	48 45 44 39	50 48 45 41		dB

AC Electrical Characteristics at Ambient and Hot Temperatures (T_J Max) (Continued)

Parameter	Test Level	Symbol	Min	Typ	Max	Unit
Total harmonic distortion Fs = 1 Gsps Fin = 100 MHz Fs = 1.4 Gsps Fin = 700 MHz Fs = 1.4 Gsps Fin = 1950 MHz Fs = 2 Gsps Fin = 2 GHz	4	ITHDI	48 48 44 44	54 53 50 49		dB
Spurious free dynamic range Fs = 1 Gsps Fin = 100 MHz Fs = 1.4 Gsps Fin = 700 MHz Fs = 1.4 Gsps Fin = 1950 MHz Fs = 2 Gsps Fin = 2 GHz	4	ISFDRI	50 50 45 45	59 59 53 54		dBc
Two-tone third-order intermodulation distortion Fs = 1.2 Gsps Fin1 = 995 MHz Fin2 = 1005 MHz [-7dBFS] Fs = 1.4 Gsps Fin1 = 745 MHz Fin2 = 755 MHz [-7dBFS] Fs = 1.4 Gsps Fin1 = 995 MHz Fin2 = 1005 MHz [-7dBFS] Fs = 1.4 Gsps Fin1 = 1244 MHz Fin2 = 1255 MHz [-7dBFS]	4	IMD31		65 65 65 65		dBFS

- Notes:
1. See "Definition of Terms" on page 35.
 2. From DC to 1.5 GHz
 3. Specified from DC up to 2.5 GHz input signal. Input VSWR is measured on a soldered device. It assumes an external $50 \Omega \pm 2 \Omega$ controlled impedance line, and a 50Ω driving source impedance ($S_{11} < -30$ dB).

AC Performance at Cold Temperature (T_C Min)

Parameter	Test Level	Symbol	Min	Typ	Max	Unit
AC Performance Condition						
-1 dBFS single-ended input mode; 50% clock duty cycle; 0 dBm differential clock (CLK, CLKB); binary output data format						
Signal-to-noise and distortion ratio Fs = 1 Gsps Fin = 100 MHz Fs = 1.4 Gsps Fin = 700 MHz Fs = 1.4 Gsps Fin = 1950 MHz Fs = 2 Gsps Fin = 2 GHz	4	SINAD	41 40 39 38	43 42 40 39		dB
Effective number of bits Fs = 1 Gsps Fin = 100 MHz Fs = 1.4 Gsps Fin = 700 MHz Fs = 1.4 Gsps Fin = 1950 MHz Fs = 2 Gsps Fin = 2 GHz	4	ENOB	6.5 6.3 6.2 6.0	6.8 6.7 6.4 6.2		Bit
Signal to noise ratio Fs = 1 Gsps Fin = 100 MHz Fs = 1.4 Gsps Fin = 700 MHz Fs = 1.4 Gsps Fin = 1950 MHz Fs = 2 Gsps Fin = 2 GHz	4	SNR	45 44 45 43	46 46 46 44		dB
Total harmonic distortion Fs = 1 Gsps Fin = 100 MHz Fs = 1.4 Gsps Fin = 700 MHz Fs = 1.4 Gsps Fin = 1950 MHz Fs = 2 Gsps Fin = 2 GHz	4	ITHDI	42 41 40 39	44 43 42 41		dB
Spurious free dynamic range Fs = 1 Gsps Fin = 100 MHz Fs = 1.4 Gsps Fin = 700 MHz Fs = 1.4 Gsps Fin = 1950 MHz Fs = 2 Gsps Fin = 2 GHz	4	ISFDRI	44 43 41 41	46 45 43 43		dBc

Transient and Switching Performances

Parameter	Test Level	Symbol	Min	Typ	Max	Unit
Transient Performance						
Bit error rate ⁽¹⁾	4	BER		10 ⁻¹²		Error/sample
ADC setting time ($V_{IN} - V_{INB} = 400$ mVpp)	4	TS		1		ns
Overshoot recovery time	4	ORT			500	ps
ADC step response rise/fall time (10 - 90%)				80	100	ps
Overshoot				4		%
Ringback				2		%
Switching Performance and Characteristics						
Maximum clock frequency ⁽²⁾		F _S Max	2		2.2	Gsps
Minimum clock frequency ⁽²⁾	4	F _S Min		150	200	Msps
Minimum clock pulse width (high)	4	TC1	0.2	0.25	2.5	ns
Minimum clock pulse width (low)	4	TC2	0.2	0.25	2.5	ns
Aperture delay ⁽²⁾	4	TA		160		ps
Aperture uncertainty ⁽²⁾	4	Jitter		150	200	fs rms
Output rise/fall time for DATA (20 - 80%) ⁽³⁾	4	TR/TF		150	200	ps
Output rise/fall time for DATA READY (20 - 80%) ⁽³⁾	4	TR/TF		150	200	ps
Data output delay ⁽⁴⁾	4	TOD		360		ps
Data ready output delay ⁽⁴⁾	4	TDR		410		ps
	4	ITOD minus TDR1	0	50	100	ps
Output data to data ready propagation delay ⁽⁵⁾	4	TD1	250	300	350	ps
Data ready to output data propagation delay ⁽⁵⁾	4	TD2	150	200	250	ps
Output data pipeline delay	4	TPD	4.0			Clock cycles
Data ready reset delay	4	TRDR	1000			ps

- Notes:
- Output error amplitude < ±6 LSB, F_s = 2 Gsps, T_j = 110°C
 - See "Definition of Terms" on page 35.
 - 50Ω // C_{LOAD} = 2 pF termination (for each single-ended output). Termination load parasitic capacitance derating value: 50 ps/pF (ECL). See "Timing Information" on page 37.
 - TOD and TDR propagation times are defined at package input/outputs. They are given for reference only. See "Propagation Time Considerations" on page 37.
 - Values for TD1 and TD2 are given for a 2 Gsps external clock frequency (50% duty cycle). For different sampling rates, apply the following formula: TD1 = T/2 + (|TOD - TDR|) and TD2 = T/2 + (|TOD - TDR|), where T = clock period. This places the rising edge (True/False) of the differential data ready signal in the middle of the output data valid window. This gives maximum setup and hold times for external data acquisition.

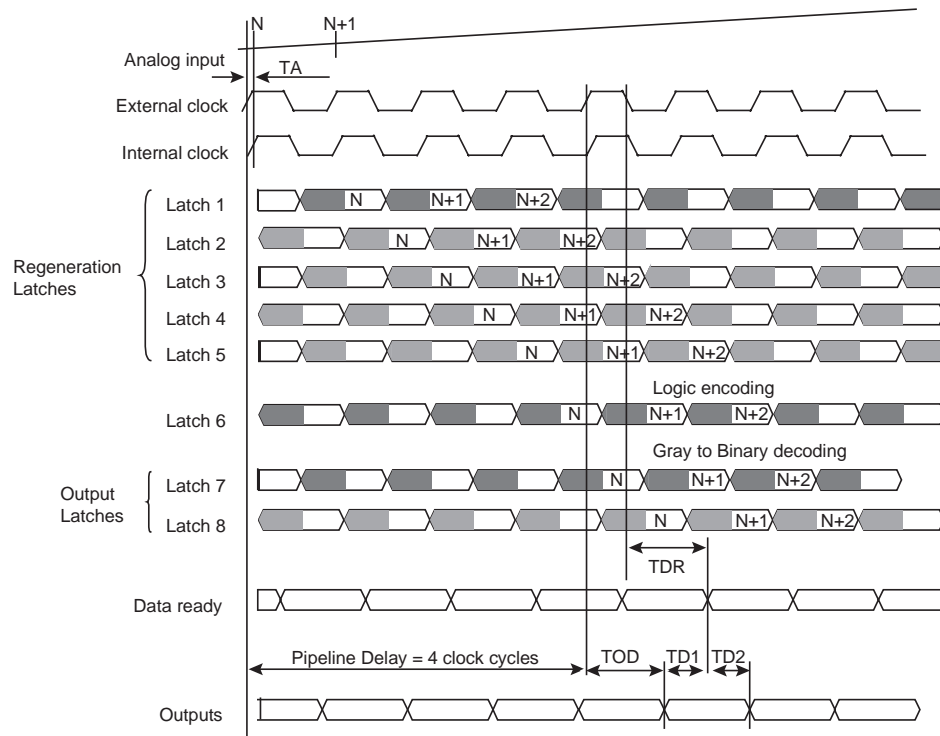
Table 1. Explanation of Test Levels

Level	Explanation
1	100% production tested at 25°C ⁽¹⁾ (for "C" temperature range) ⁽²⁾
2	100% production tested at 25°C ⁽¹⁾ and sample tested at specified temperatures (for "V" temperature ranges ⁽²⁾)
3	Sample tested only at specified temperatures
4	Parameter is guaranteed by design and characterization testing (thermal steady-state conditions at specified temperature)
5	Parameter is a typical value guaranteed by design only
6	100% production tested over specified temperature range (for "B/Q" temperature range ⁽²⁾)

Notes: 1. Unless otherwise specified
 2. Refer to "Ordering Information" on page 55.

Only minimum and maximum values are guaranteed (typical values are issued from characterization results).

Figure 2. Timing Diagram



Note: Detailed timing diagrams are provided on page 39.

Table 2. Digital Coding

Differential Analog Input	Voltage Level	Digital Output			
		Binary (B/GB = GND or floating)		GRAY (B/GB = V _{EE})	
		MSB.....LSB	Out-of-Range	MSB.....LSB	Out-of-Range
> 250.25 mV	>Top end of full-scale + ½ LSB	1 1 1 1 1 1 1 1 1 1	1	1 0 0 0 0 0 0 0 0	1
250.25 mV	Top end of full-scale + ½ LSB	1 1 1 1 1 1 1 1 1 1	0	1 0 0 0 0 0 0 0 0	0
249.75 mV	Top end of full-scale - ½ LSB	1 1 1 1 1 1 1 1 1 0	0	1 0 0 0 0 0 0 0 1	0
125.25 mV	3/4 full-scale + ½ LSB	1 1 0 0 0 0 0 0 0 0	0	1 0 1 0 0 0 0 0 0	0
124.75 mV	3/4 full-scale - ½ LSB	1 0 1 1 1 1 1 1 1 1	0	1 1 1 0 0 0 0 0 0	0
0.25 mV	Mid-scale + ½ LSB	1 0 0 0 0 0 0 0 0 0	0	1 1 0 0 0 0 0 0 0	0
-0.25 mV	Mid-scale - ½ LSB	0 1 1 1 1 1 1 1 1 1	0	0 1 0 0 0 0 0 0 0	0
-124.75 mV	1/4 full-scale + ½ LSB	0 1 0 0 0 0 0 0 0 0	0	0 1 1 0 0 0 0 0 0	0
-124.25 mV	1/4 full-scale - ½ LSB	0 0 1 1 1 1 1 1 1 1	0	0 0 1 0 0 0 0 0 0	0
-249.75 mV	Bottom end of full-scale + ½ LSB	0 0 0 0 0 0 0 0 0 1	0	0 0 0 0 0 0 0 0 1	0
-250.25 mV	Bottom end of full-scale - ½ LSB	0 0 0 0 0 0 0 0 0 0	0	0 0 0 0 0 0 0 0 0	0
< -250.25 mV	< Bottom end of full-scale - ½ LSB	0 0 0 0 0 0 0 0 0 0	1	0 0 0 0 0 0 0 0 0	1

Table 3. Die Mechanical Information

Description	Data
Die size	3740 µm x 3820 µm (±15 µm)
Pad size - single pad - double pad	90 µm x 90 µm 180 µm x 90 µm
Die thickness	380 µm ±25 µm
Back side metallization	None
Metallization - number of layers - material	3 AlCu
Pad metallization	AlCu
Passivation	Oxyde nitride
Back side potential	-5V

TS83102G0B Package Description

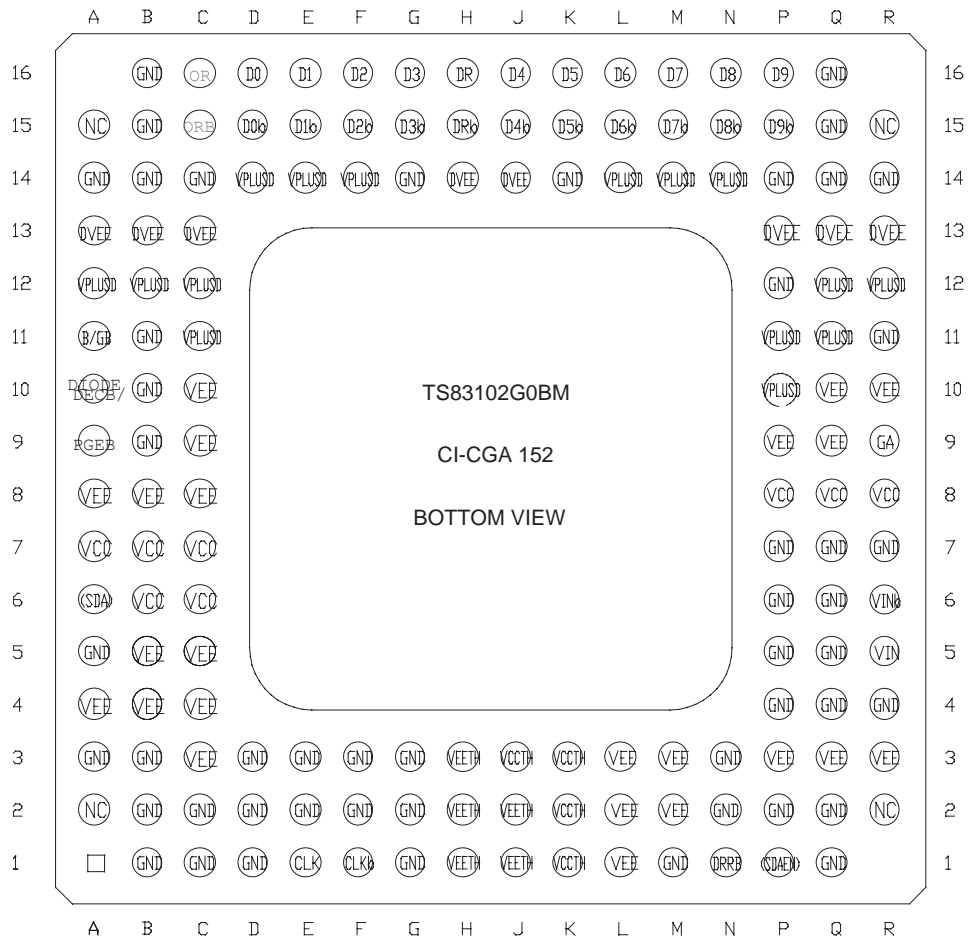
Table 4. Pin Description (CBGA 152)

Symbol	Pin Number	Function
Power Supplies		
V_{CC}, V_{CCTH}	K1, K2, J3, K3, B6, C6, A7, B7, C7, P8, Q8, R8	5V analog supply (connected to same power supply plane)
GND	B1, C1, D1, G1, M1, Q1, B2, C2, D2, E2, F2, G2, N2, P2, Q2, A3, B3, D3, E3, F3, G3, N3, P4, Q4, R4, A5, P5, Q5, P6, Q6, P7, Q7, R7, B9, B10, B11, R11, P12, A14, B14, C14, G14, K14, P14, Q14, R14, B15, Q15, B16, Q16	Analog ground
V_{EE}, V_{EETH}	H1, J1, L1, H2, J2, L2, M2, C3, H3, L3, M3, P3, Q3, R3, A4, B4, C4, B5, C5, A8, B8, C8, C9, P9, Q9, C10, Q10, R10	-5V analog supply (connected to same power supply plane)
V_{PLUSD}	P10, C11, P11, Q11, A12, B12, C12, Q12, R12, D14, E14, F14, L14, M14, N14	Digital positive supply
DV_{EE}	A13, B13, C13, P13, Q13, R13, H14, J14	-5V digital supply
Analog Inputs		
VIN	R5	In-phase (+) analog input signal of the differential Sample & Hold preamplifier
VINB	R6	Inverted phase (-) analog input signal of the differential Sample & Hold preamplifier
Clock Inputs		
CLK	E1	In-phase (+) clock input
CLKB	F1	Inverted phase (-) clock input
Digital Outputs		
D0, D1, D2, D3, D4, D5, D6, D7, D8, D9	D16, E16, F16, G16, J16, K16, L16, M16, N16, P16	In-phase (+) digital outputs D0 is the LSB, D7 is the MSB
D0B, D1B, D2B, D3B, D4B, D5B, D6B, D7B, D8B, D9B	D15, E15, F15, G15, J15, K15, L15, M15, N15, P15	Inverted phase (-) digital outputs
OR	C16	In-phase (+) out-of-range output
ORB	C15	Inverted phase (-) out-of-range output
DR	H16	In-phase (+) data ready signal output
DRB	H15	Inverted phase (-) data ready signal output
Additional Functions		
B/GB	A11	Binary or gray select output format control <ul style="list-style-type: none"> - Binary output format if B/GB is floating or connected to GND - Gray output format if B/GB is connected to V_{EE}

Table 4. Pin Description (CBGA 152) (Continued)

Symbol	Pin Number	Function
DECB/DIODE	A10	Decimation function enable or die junction temperature measurement: - Decimation active when connected to V_{EE} (die junction temperature monitoring is not possible) - Normal mode when connected to Ground or left floating - Die junction temperature monitoring when current is applied
PGEB	A9	Active low pattern generator enable - Digitized input delivered at outputs according to B/GB if PGEB is floating or connected to GND - Checker board pattern delivered at outputs if PGEB is connected to V_{EE}
DRRB	N1	Asynchronous data ready reset function (active at ECL low level) or when connected to V_{EE}
GA	R9	Gain adjust
SDA	A6	Sampling delay adjust
SDAEN	P1	Sampling delay adjust enable - Inactive if floating or connected to GND - Active if connected to V_{EE}

Figure 3. Pinout



- Notes:
1. To simplify PCB routing, the 4 NC balls can be electrically connected to the GND balls.
 2. The pinout is shown from the bottom. The columns and rows are defined differently from the JEDEC standard.

Thermal and Moisture Characteristics

Dissipation by Conduction and Convection

The thermal resistance from junction to ambient $R_{TH_{JA}}$ is around 30°C/W . Therefore, to lower $R_{TH_{JA}}$, it is mandatory to use an external heat sink to improve dissipation by convection and conduction. The heat sink should be fixed in contact with the top side of the package (CuW heat spreader over Al_2O_3) which is at -5V.

The heat sink needs to be electrically isolated, using adequate low RTH electrical isolation.

Example:

The thermal resistance from case to ambient $R_{TH_{CA}}$ is typically 4.0°C/W (0 m/s air flow or still air) with the heat sink depicted in Figure 4 on page 18, of dimensions 50 mm x 50 mm x 22 mm (respectively L x l x H).

The global junction to ambient thermal resistance $R_{TH_{JA}}$ is:

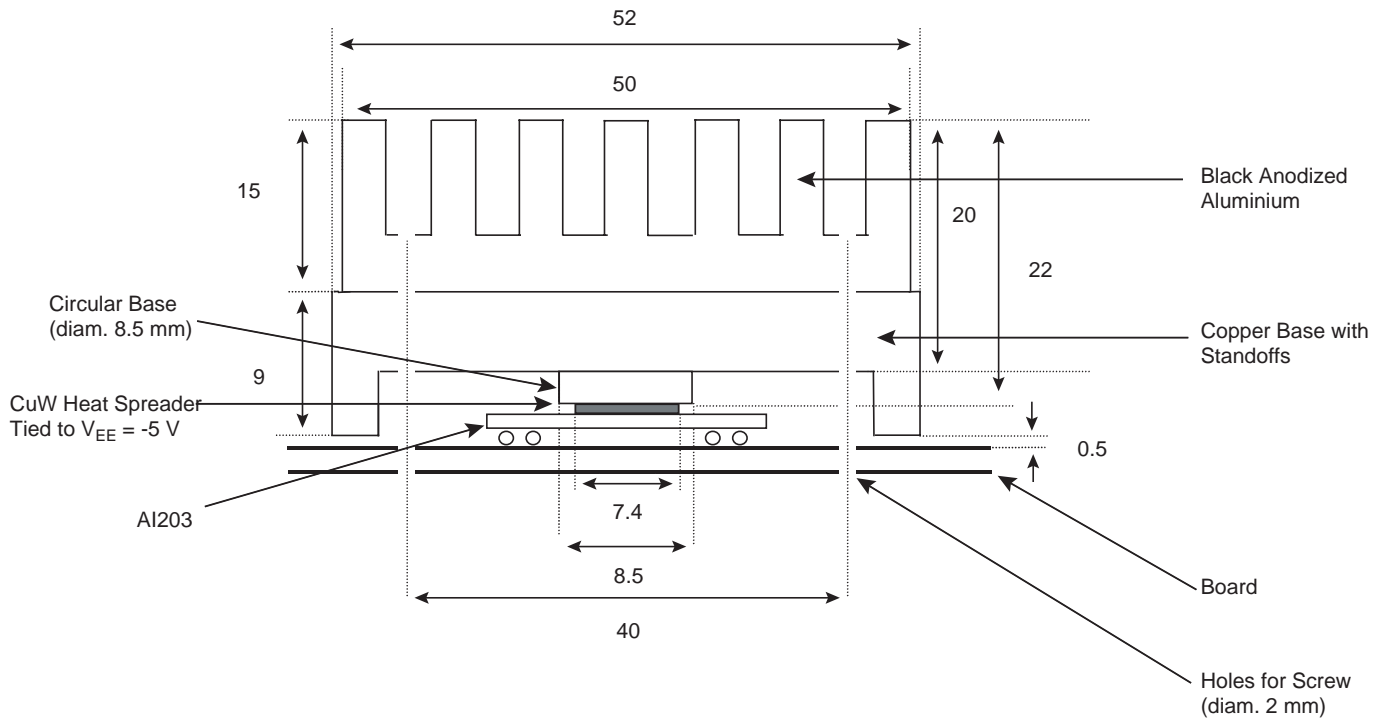
$4.35^{\circ}\text{C/W } R_{TH_{JC}} + 2.0^{\circ}\text{C/W}$ thermal grease resistance + $4.0^{\circ}\text{C/W } R_{TH_{CA}}$ (case to ambient) = 10.35°C/W total ($R_{TH_{JA}}$).

Assuming:

A typical thermal resistance from the junction to the bottom of the case $R_{TH_{JC}}$ of 4.35°C/W (finite element method thermal simulation results): this value does not include the thermal contact resistance between the package and the external heat sink (glue, paste, or thermal foil interface, for example). As an example, use a 2.0°C/W value for a $50\ \mu\text{m}$ thickness of thermal grease.

Note: Example of the calculation of the ambient temperature T_A max to ensure T_J max = 110°C :
 assuming $R_{TH_{JA}} = 10.35^{\circ}\text{C/W}$ and power dissipation = 4.6 W, T_A max = $T_J - (R_{TH_{JA}} \times 4.6\ \text{W})$
 = $110 - (10.35 \times 4.6) = 62.39^{\circ}\text{C}$. T_A max can be increased by lowering $R_{TH_{JA}}$ with an adequate air flow (2 m/s, for example).

Figure 4. Black Anodized Aluminium Heat Sink Glued on a Copper Base Screwed on Board (all dimensions in mm)



Note: The cooling system efficiency can be monitored using the temperature sensing diodes, integrated in the device. Refer to “DECBDIODE: Junction Temperature Monitoring and Output Decimation Enable” on page 45.

Thermal Dissipation by Conduction Only

When the external heat sink cannot be used, the relevant thermal resistance is the thermal resistance from the junction to the bottom of the balls: $R_{TH_{J-Bottom-of-balls}}$

The thermal path, in this case, is the junction, then the silicon, glue, CuW heat spreader, package Al₂O₃, and the balls (Sn63Pb37).

The Finite Element Method (FEM) with the thermal simulator leads to $R_{TH_{J-bottom\ of\ balls}} = 12.3^{\circ}C/W$. This value assumes pure conduction from the junction to the bottom of the balls (this is the worst case, no radiation and no convection is applied). With such an assumption, $R_{TH_{J-Bottom-of-balls}}$ is user-independent.

To complete the thermal analysis, you must add the thermal resistance from the top of the board (on which the device is soldered) to the ambient resistance, whose values are user-dependent (the type of board, thermal, routing, area covered by copper in each board layer, thickness, airflow or cold plate are all parameters to consider).

Typical Characterization Results

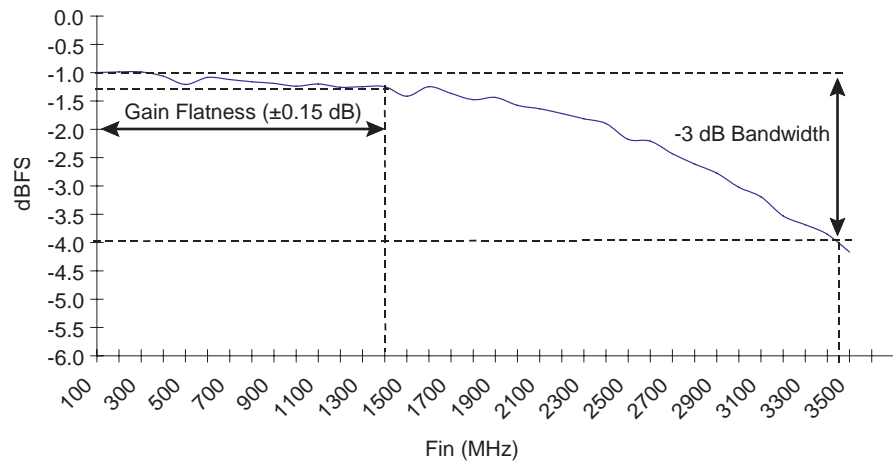
Nominal Conditions

$V_{CC} = 5V$; 50% clock duty cycle; binary output data format; $T_J = 80^{\circ}C$; -1 dBFS, unless otherwise specified.

Typical Full Power Input Bandwidth

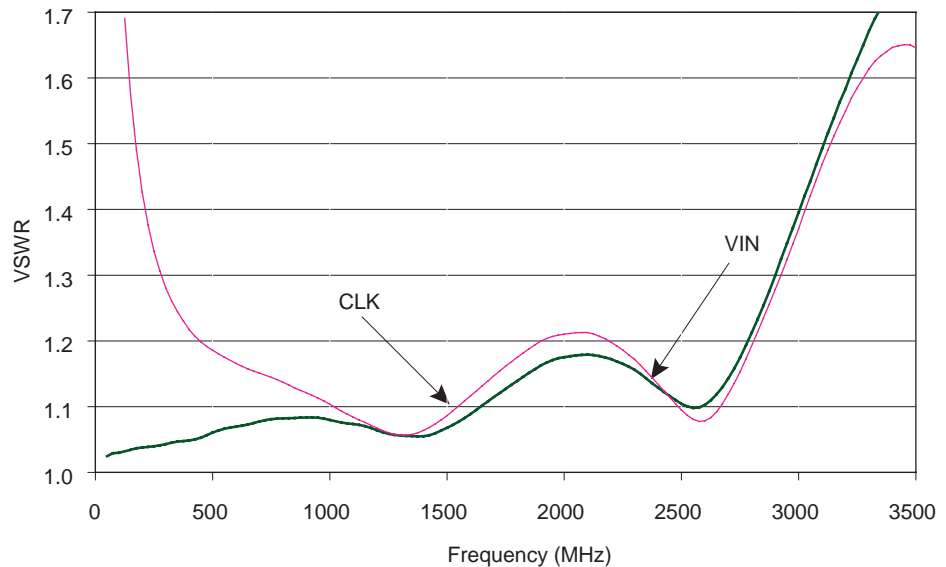
$V_{in} = -1$ dBFS
 Gain flatness at ± 0.15 dB from DC to 1.5 GHz
 Full power input bandwidth at -3 dB > 3.3 GHz

Figure 5. Full Power Input Bandwidth at -3 dB



Typical VSWR Versus Input Frequency

Figure 6. VSWR Curve for VIN and CLK



Typical Step Response

$T_r \text{ measured} = 90 \text{ ps} = \sqrt{T_{r\text{PulseGenerator}}^2 + T_{r\text{ADC}}^2}$
 $T_{r\text{PulseGenerator}} = 41 \text{ ps (estimated)}$
 $\text{Actual } T_{r\text{ADC}} = 80 \text{ ps}$

Figure 7. Step Response (Random Interleaved Sampling Method Measure)

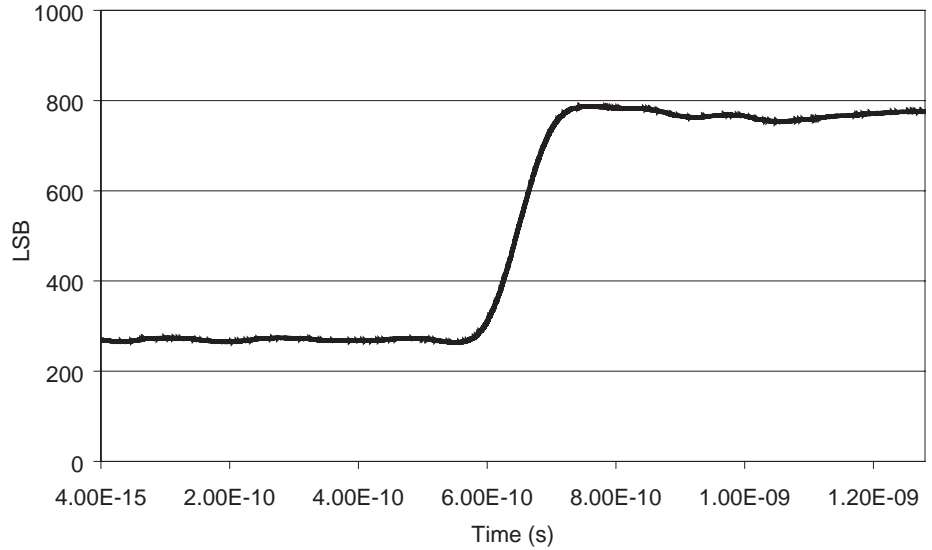
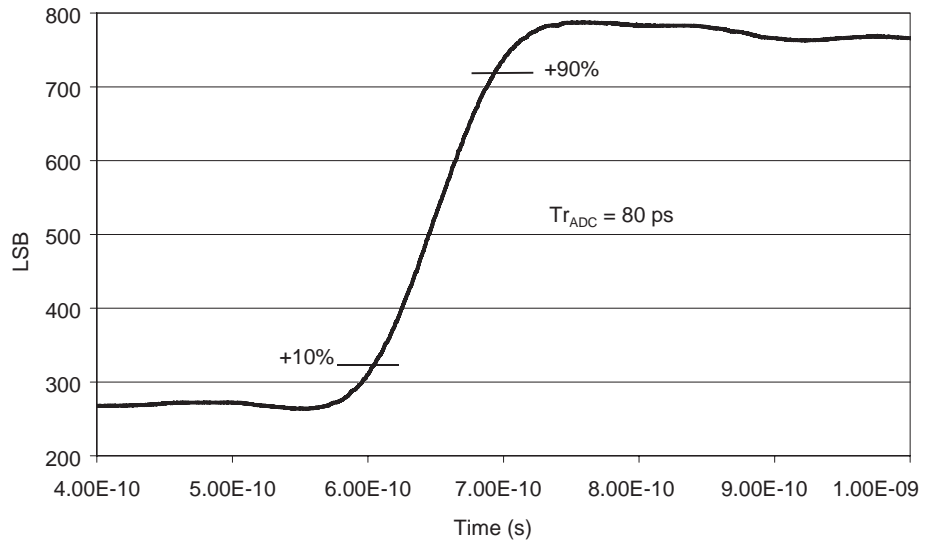


Figure 8. Zoom on Rise Time Step Response



Note: Overshoot and ringback are not measurable (estimated by simulation at 4% and 2% respectively).

Typical Dynamic Performances Versus Sampling Frequency

Figure 9. ENOB Versus Sampling Frequency in Nyquist Conditions ($F_{in} = F_s/2$)

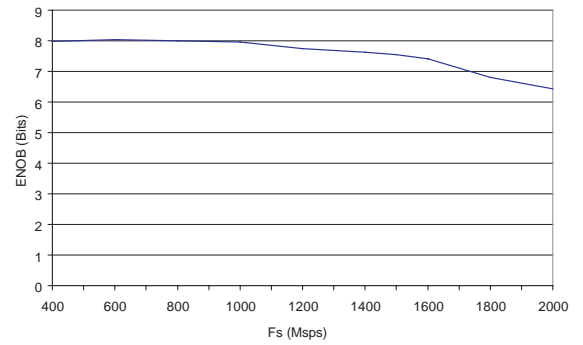


Figure 10. SFDR Versus Sampling Frequency in Nyquist Conditions ($F_{in} = F_s/2$)

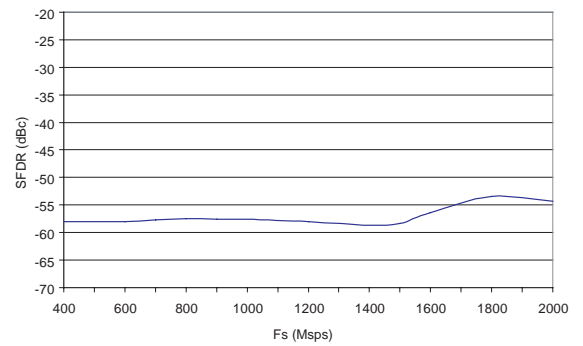


Figure 11. THD Versus Sampling Frequency in Nyquist Conditions ($F_{in} = F_s/2$)

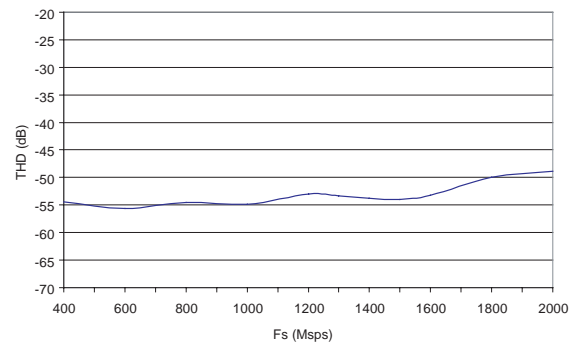
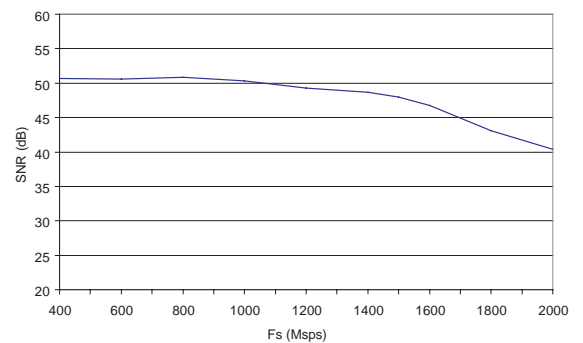


Figure 12. SNR Versus Sampling Frequency in Nyquist Conditions ($F_{in} = F_s/2$)



Typical Dynamic Performances Versus Fin

Figure 13. ENOB Versus Input Frequency at $F_s = 1.4$ Gsps and $F_s = 1.7$ Gsps

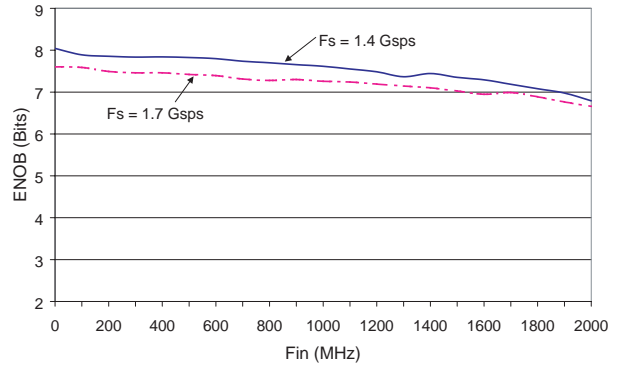


Figure 14. THD Versus Input Frequency at $F_s = 1.4$ Gsps and $F_s = 1.7$ Gsps

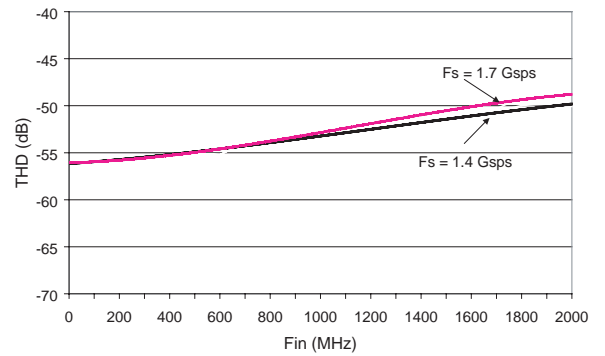


Figure 15. SFDR Versus Input Frequency at $F_s = 1.4$ Gsps and $F_s = 1.7$ Gsps

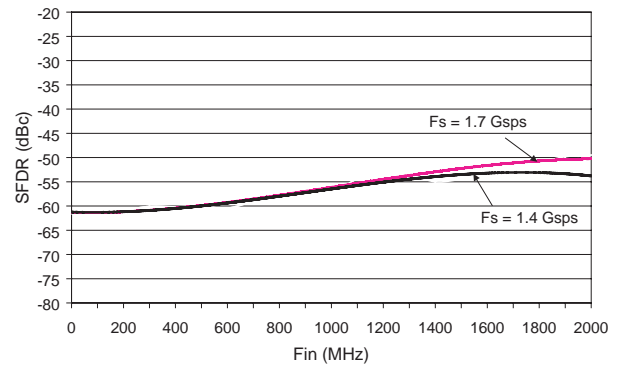
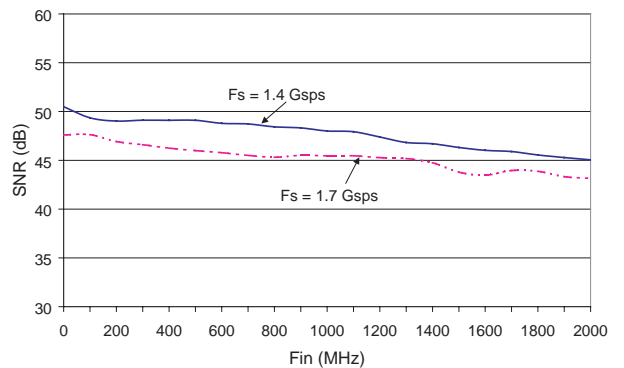


Figure 16. SNR Versus Input Frequency at $F_s = 1.4$ Gsps and $F_s = 1.7$ Gsps



Typical Reconstructed Signals and Signal Spectrum

The ADC input signal is sampled at a full sampling rate, but the output data is 8 or 16 times decimated so as to relax the acquisition system data rate. As a consequence, the calculation software sees an effective frequency divided by 8 or 16, compared to the ADC clock frequency used (Fs). The spectrum is thus displayed from DC to Fs/2 divided by the decimation factor.

Decimation only folds all spectral components between DC and Fs/2 divided by the decimation factor but does not change their amplitude.

This does not have any impact on the FFT spectral characteristics because of the ergodicity of the samples (time average = statistic average). The input frequency is chosen to respect the coherence of the acquisition.

Figure 17. Fs = 1.4 Gps and Fin = 702 MHz, -1 dBFS; Decimation Factor = 16, 32 kpoints FFT

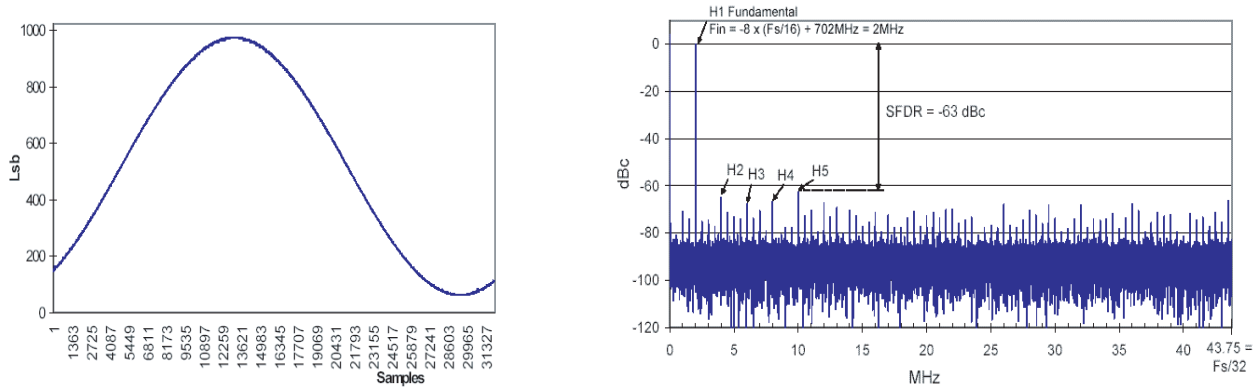


Figure 18. Fs = 1.4 Gps and Fin = 1399 MHz, -1 dBFS; Decimation Factor = 16, 32 kpoints FFT

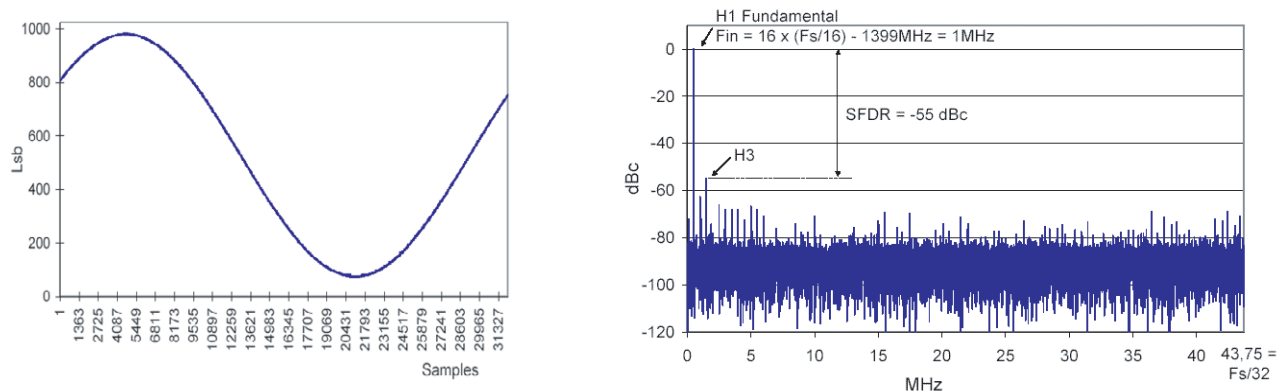


Figure 19. $F_s = 1.7$ Gps and $F_{in} = 898$ MHz, -1 dBFS; Decimation Factor = 16, 32 kpoints FFT

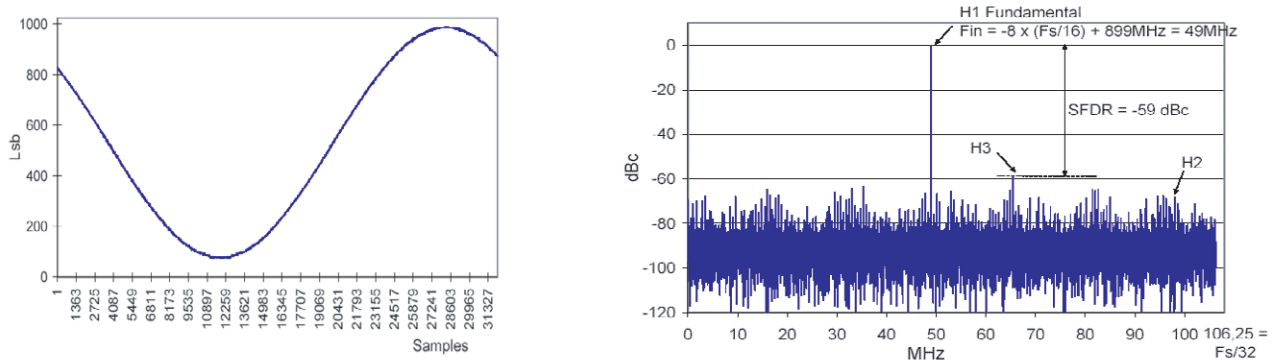


Figure 20. $F_s = 1.7$ Gps and $F_{in} = 1699$ MHz, -1 dBFS; Decimation Factor = 8, 32 kpoints FFT

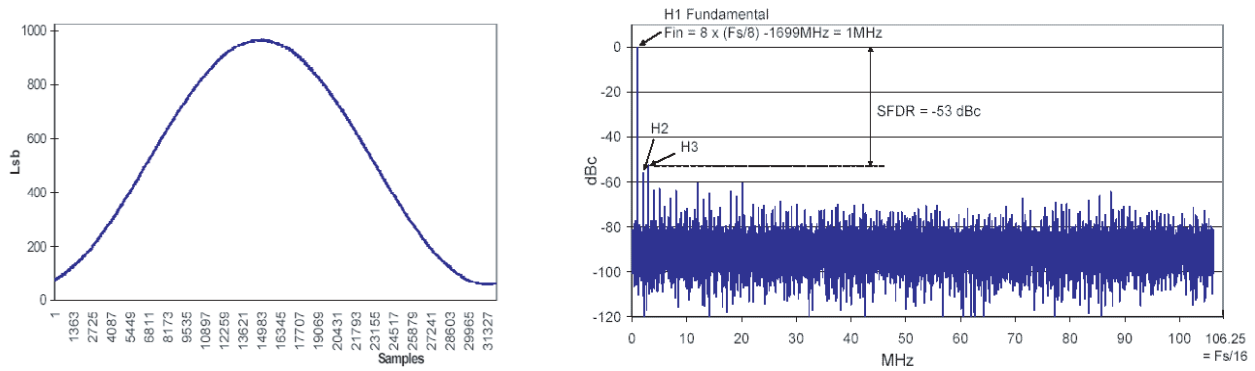
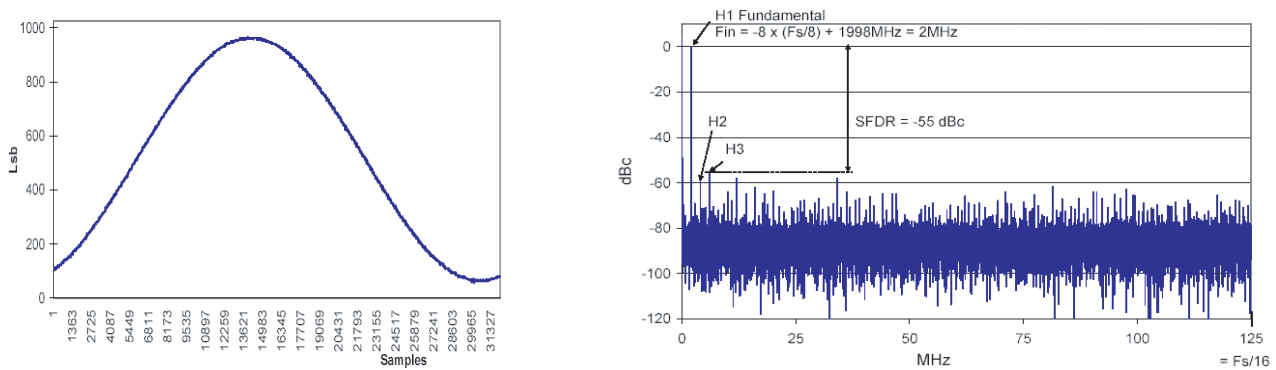
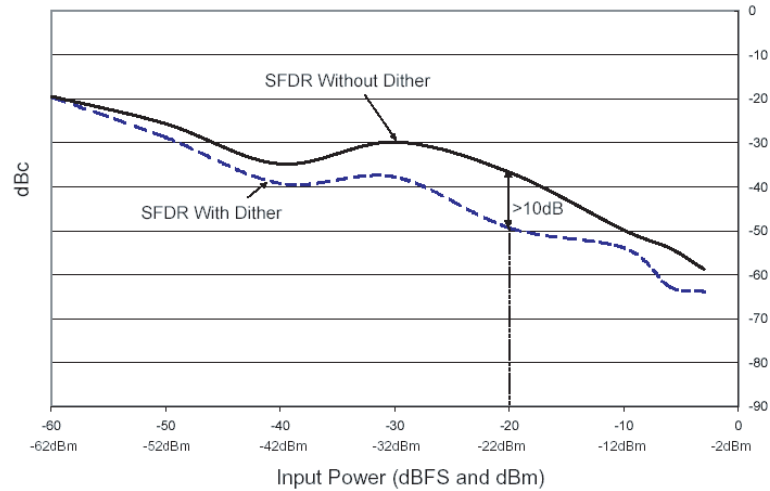


Figure 21. $F_s = 2$ Gps and $F_{in} = 1998$ MHz, -1 dBFS; Decimation Factor = 8, 32 kpoints FFT



SFDR Performance with/without External Dither

Figure 22. SFDR (in dBc) With and Without Dither (-23 dBm DC to 5 MHz Out of Band Dither)
 $F_s = 1.4$ Gps and $F_{in} = 710$ MHz



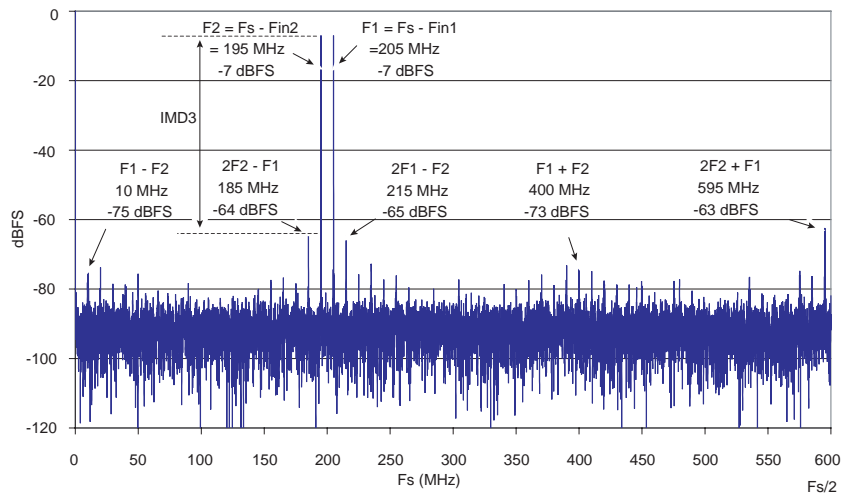
An increase in SFDR up to >10 dB with an addition of -23 dBrms DC to 5 MHz out-of-band dither is noted.

The dither profile has to be defined according to the ADC's INL pattern as well as the trade-off to be reached between the increase in SFDR and the loss in SNR.

Please refer to the Application Note on dither for more information on adding dither to an ADC.

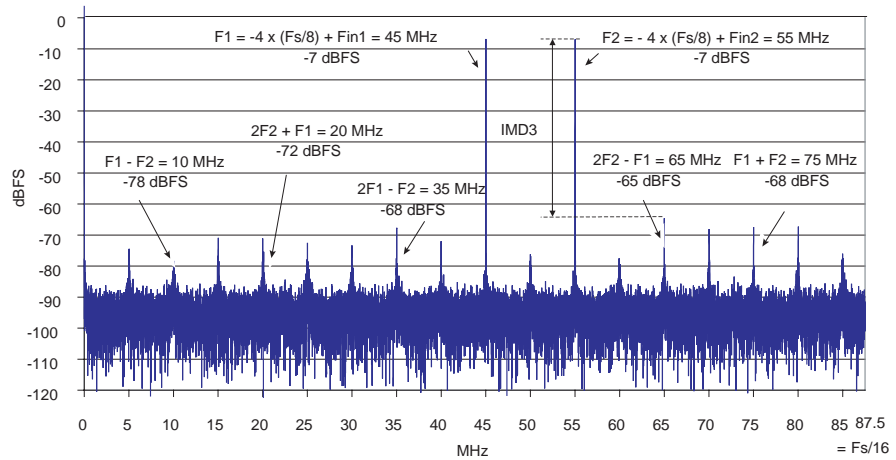
Typical Dual Tone Dynamic Performance

Figure 23. Dual Tone Reconstructed Signal Spectrum at $F_s = 1.2$ Gps, $F_{in1} = 995$ MHz, $F_{in2} = 1005$ MHz (-7 dBFS), $IMD3 = 64$ dBFS



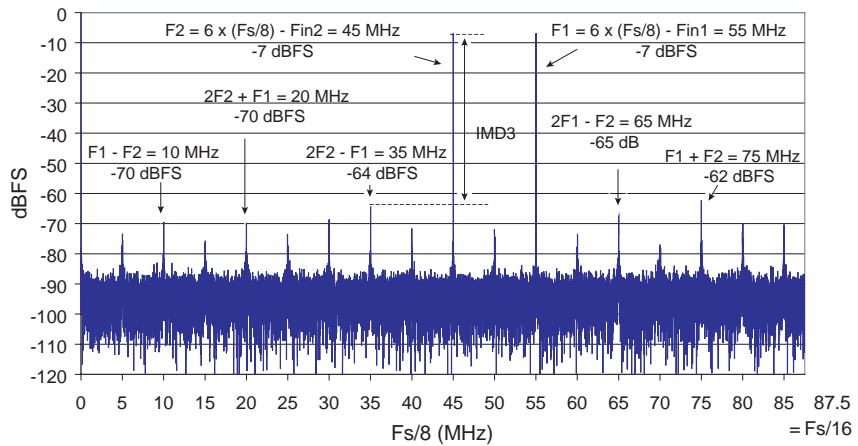
Note: The output data is not decimated. The spectrum is displayed from DC to 600 MHz.

Figure 24. Dual Tone Reconstructed Signal Spectrum at $F_s = 1.4$ Gsps, $F_{in1} = 745$ MHz, $F_{in2} = 755$ MHz (-7 dBFS), $IMD3 = 65$ dBFS



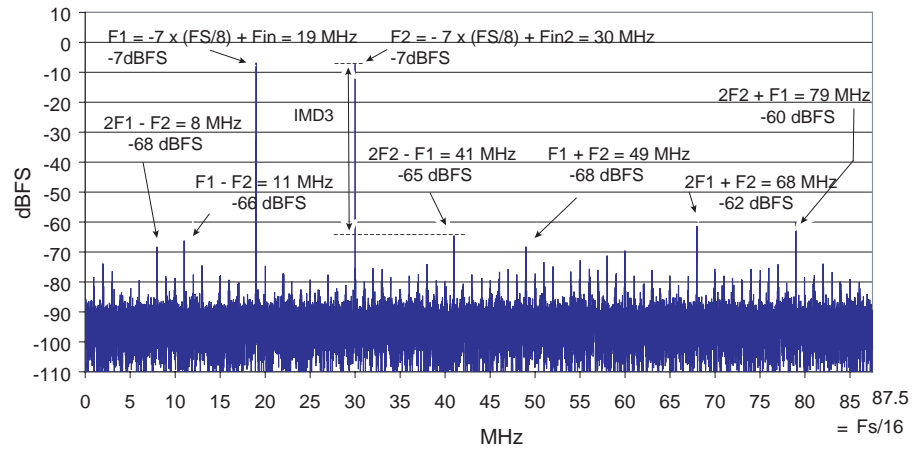
Note: The ADC input signal is sampled at 1.4 Gsps but the data acquisition is 8 times decimated. Thus, the spectrum is displayed from DC to $F_s/2$ divided by the decimation factor $[(F_s/2)/8 = 87.5$ MHz].

Figure 25. Dual Tone Reconstructed Signal Spectrum at $F_s = 1.4$ Gsps, $F_{in1} = 995$ MHz, $F_{in2} = 1005$ MHz (-7 dBFS), $IMD3 = 64$ dBFS



Note: The ADC input signal is sampled at 1.4 Gsps but the data acquisition is 8 times decimated. Thus, the spectrum is displayed from DC to $F_s/2$ divided by the decimation factor $[(F_s/2)/8 = 87.5$ MHz].

Figure 26. Dual Tone Reconstructed Signal Spectrum at $F_s = 1.4$ Gsps, $F_{in1} = 1244$ MHz, $F_{in2} = 1255$ MHz (-7 dBFS), $IMD3 = 65$ dBFS



Note: The ADC input signal is sampled at 1.4 Gsps but data acquisition is 8 times decimated. Thus, the spectrum is displayed from DC to $F_s/2$ divided by the decimation factor $[(F_s/2)/8 = 87.5$ MHz]. The dual tone $IMD3$ at 1.4 Gsps is around -65 dBFS for $F_{in} = 1$ GHz ± 250 MHz (F_{in} range is from 750 MHz to 1250 MHz).

Typical Performance Sensitivity Versus Power Supply and Temperature

Figure 27. ENOB Versus Junction Temperature ($F_s = 1.4$ Gsps, $F_{in} = 698$ MHz, -1 dBFS)

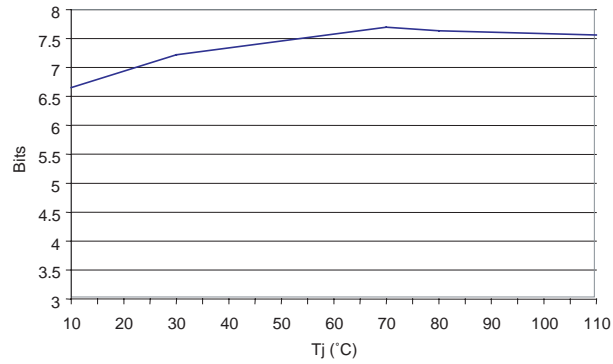


Figure 28. SFDR Versus Junction Temperature ($F_s = 1.4$ Gsps, $F_{in} = 698$ MHz, -1 dBFS)

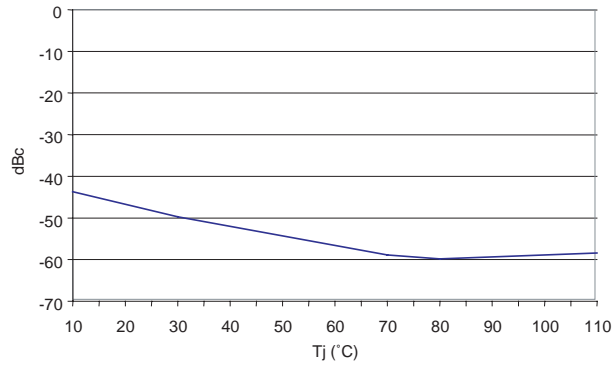


Figure 29. SNR Versus Junction Temperature ($F_s = 1.4$ Gsps, $F_{in} = 698$ MHz, -1 dBFS)

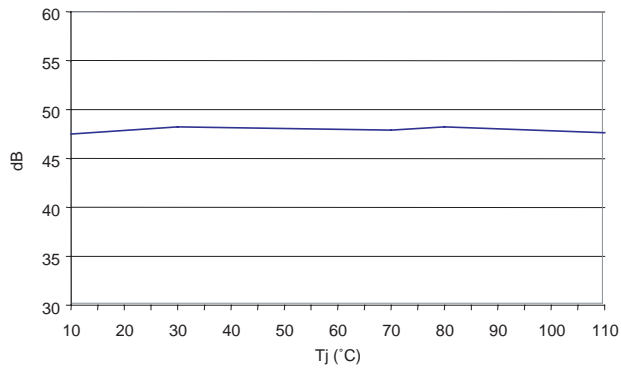


Figure 30. ENOB Versus V_{CC} and V_{EE} ; $F_s = 1.4$ Gps Versus F_{in}
 ($V_{CC} = |V_{EE}| = 4.75V, 5V$ and $5.25V$)

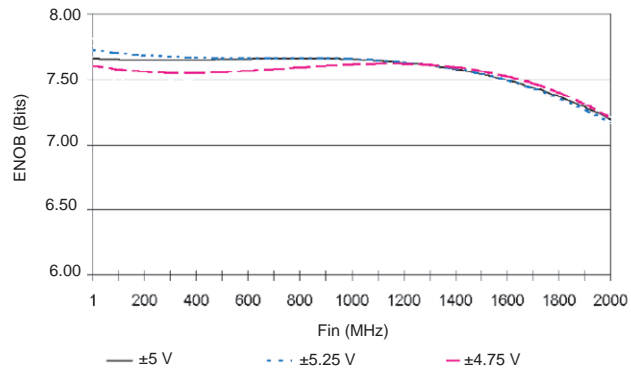


Figure 31. SFDR Versus V_{CC} and V_{EE} ; $F_s = 1.4$ Gps Versus F_{in}
 ($V_{CC} = |V_{EE}| = 4.75V, 5V$ and $5.25V$)

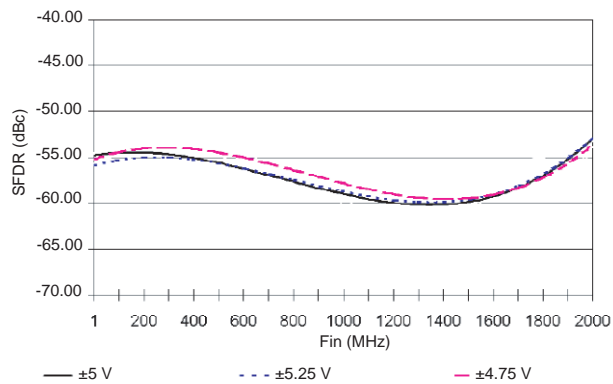
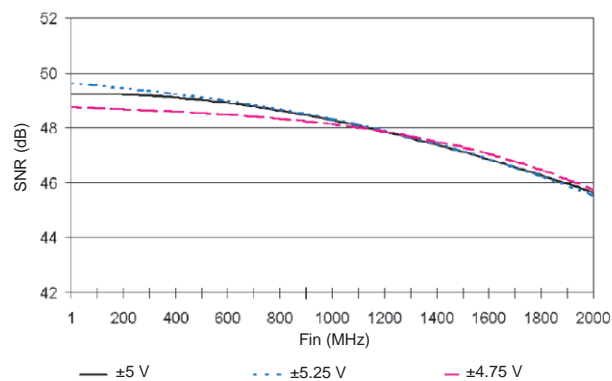
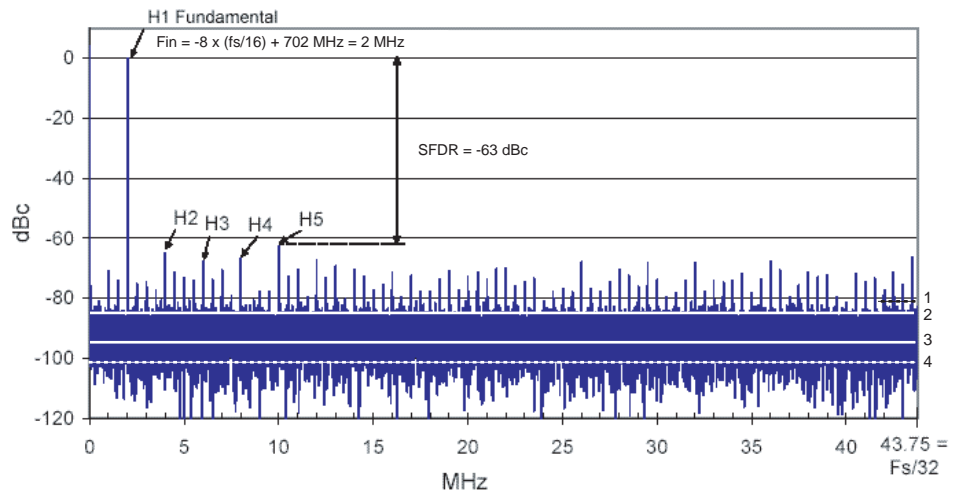


Figure 32. SNR Versus V_{CC} and V_{EE} ; $F_s = 1.4$ Gps Versus F_{in}
 ($V_{CC} = |V_{EE}| = 4.75V, 5V$ and $5.25V$)



Considerations on ENOB: Linearity and Noise Contribution

Figure 33. Example of a 16-kpoint FFT Computation at $F_s = 1.4$ Gsps, $F_{in} = 702$ MHz, -1 dBFS, $T_j = 80^\circ\text{C}$; Bin Spacing = $(F_s/2) / 16384 = 2.67$ kHz



This is a 16384 points FFT. It is 16 times decimated since a DEMUX 1:8 is used to relax the acquisition system data rate, and data is captured on the rising edge of the data ready signal.

The spectrum is computed over the first Nyquist zone from DC to $F_s/2$ divided by the decimation factor, which equals $F_s/32 = 43.75$ MHz.

Legend:

1. Ideal 10-bit quantization noise spectral density, peak value = -84 dB
2. Average SNR noise floor: 47 dB + $10 \log(N_{\text{FFTpoint}}/2) = 86$ dB including thermal noise
3. Average SNR noise floor: 57 dB + $10 \log(N_{\text{FFTpoint}}/2) = 96$ dB without thermal noise
4. Ideal 10-bit averaged SNR noise floor $6.02 \times (N = 10) + 1.76 + 10 \log(N_{\text{FFTpoint}}/2) = 101$ dB

Note: The thermal noise floor is expressed in dBm/Hz (at $T = 300$ K, $B = 1$ Hz): $10 \log(kTB/1 \text{ mW}) = -174$ dBm/Hz or -139.75 dBm/2.67 kHz. THD is calculated over the 25 first harmonics.

With ADC input referred thermal noise:

- ENOB = 7.6 bits
- SINAD = 47 dB
- THD = -55.7 dB (over 25 harmonics)
- SFDR = -62.6 dBc
- SNR = 47.3 dB

Without ADC input referred thermal noise:

- ENOB = 9.2 bits
- SINAD = 57 dB
- THD = -55.7 dB (over 25 harmonics)
- SFDR = -62.6 dBc
- SNR = 57.3 dB

Conclusion:

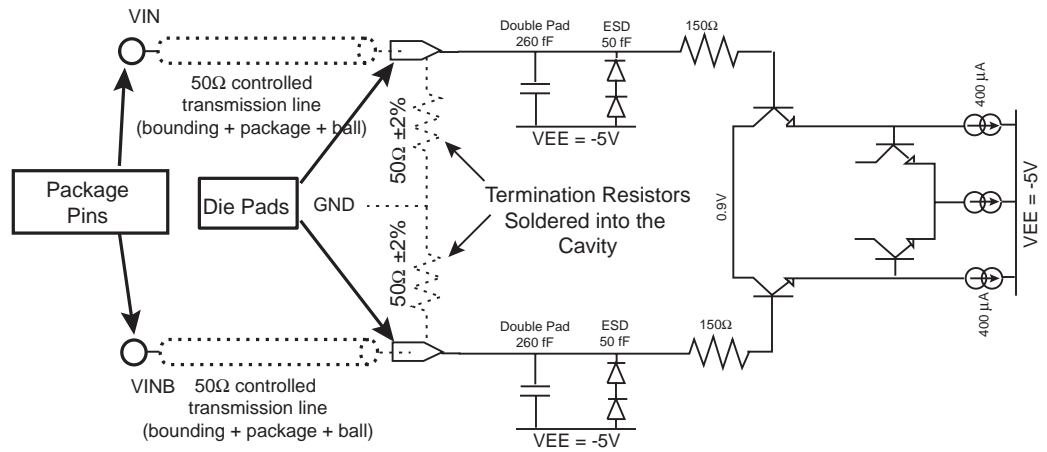
Though the ENOB is 7.6 bits (in this example at 1.4 Gsps Nyquist conditions), the ADC features a 10-bit linearity regarding the 60 dB typical SFDR performance.

However, it has to be pointed out that the ENOB is actually limited by the ADC's input referred thermal noise, which dominates the rms quantization noise. For certain applications (using a spread spectrum) the signal may be recovered below the thermal noise floor (by cross correlation since it is white noise).

Therefore, the thermal noise can be extracted from the ENOB: the ENOB without a referred input thermal noise is 9.2 instead of 7.6 in this example, only limited by the quantization noise and clock induced jitter.

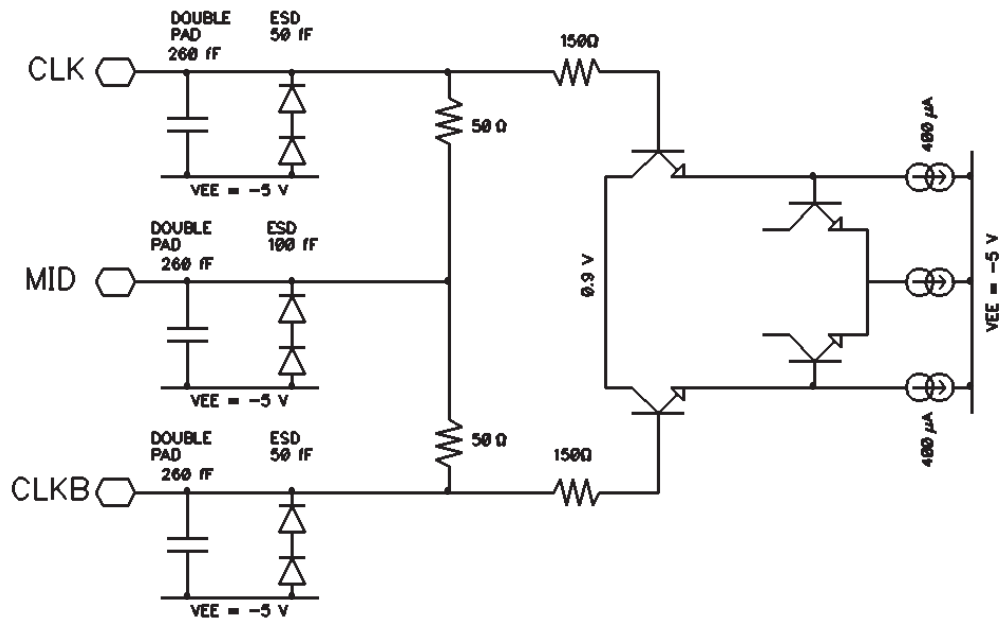
Equivalent Input/Output Schematics

Figure 34. Equivalent Analog Input Circuit and ESD Protections



Note: 100 Ω termination midpoint is located inside the package cavity and is DC coupled to ground.

Figure 35. Equivalent Clock Input Circuit and ESD Protections



Note: 100 Ω termination midpoint is on-chip and AC coupled to ground through a 40 pF capacitor.

Figure 36. Equivalent Data Output Buffer Circuit and ESD Protections

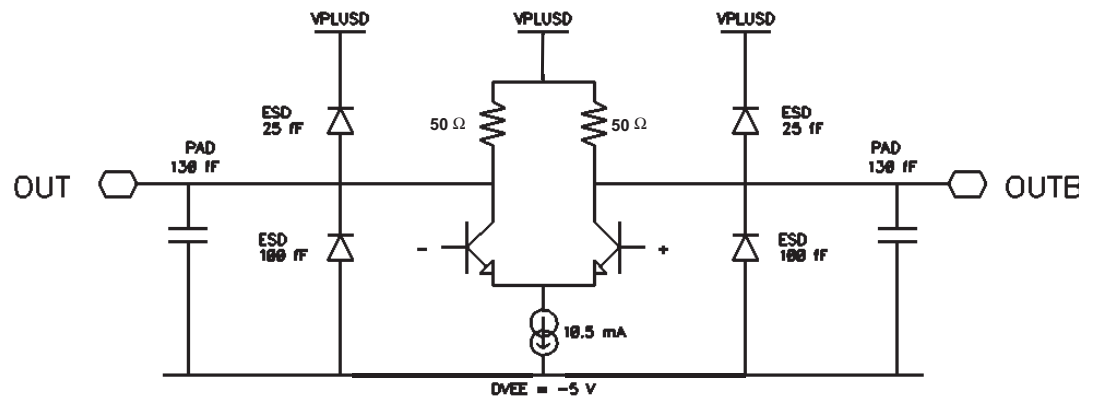


Figure 37. ADC Gain Adjust Equivalent Input Circuits and Protections

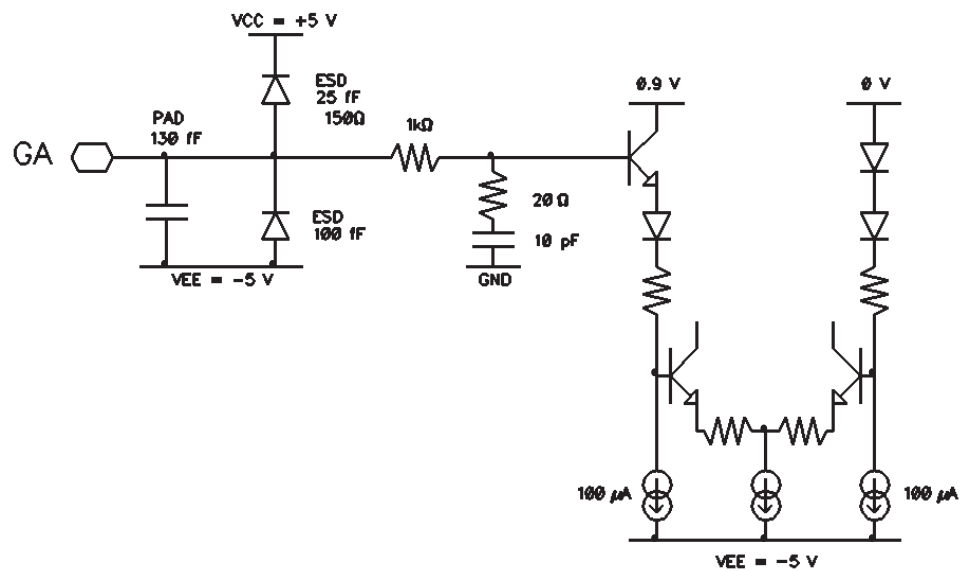


Figure 38. B/GB and PGEB Equivalent Input Schematics and ESD Protections

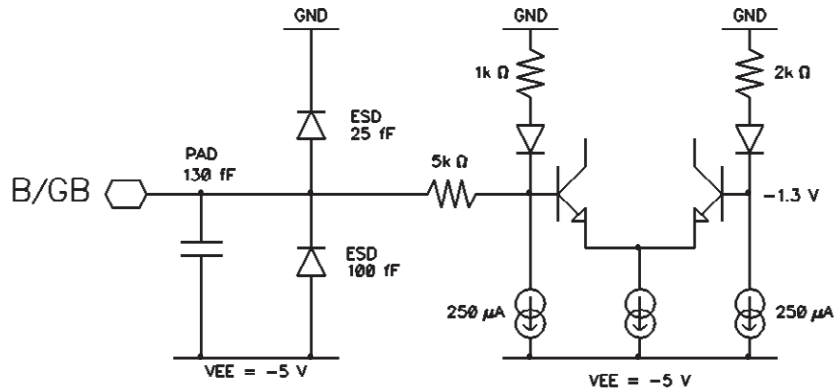
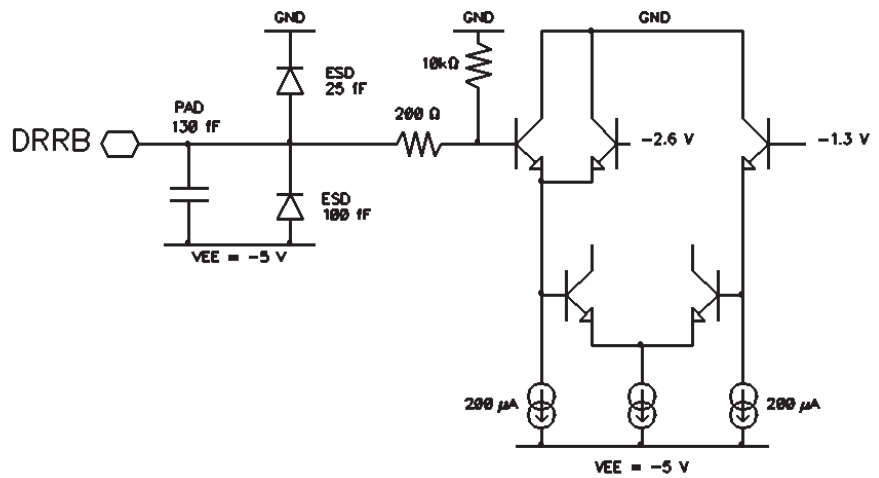


Figure 39. DRRB Equivalent Input Schematics and ESD Protections



Definition of Terms

Table 5. Definitions of Terms

Term		Description
BER	Bit Error Rate	Probability to exceed a specified error threshold for a sample. An error code is a code that differs by more than ± 4 LSB from the correct code
BW	Full-power Input Bandwidth	The analog input frequency at which the fundamental component in the digitally reconstructed output has fallen by 3 dB with respect to its low frequency value (determined by FFT analysis) for input at full-scale
DG	Differential Gain	The peak gain variation (in percent) at five different DC levels for an AC signal of 20% full-scale peak to peak amplitude. $F_{IN} = 5$ MHz (TBC)
DNL	Differential Non-linearity	The differential non-linearity for an output code (i) is the difference between the measured step size of code (i) and the ideal LSB step size. DNL (i) is expressed in LSBs. DNL is the maximum value of all DNL (i). DNL error specification of less than 1 LSB guarantees that there are no missing output codes and that the transfer function is monotonic
DP	Differential Phase	The peak phase variation (in degrees) at five different DC levels for an AC signal of 20% full-scale peak to peak amplitude. $F_{IN} = 5$ MHz (TBC)
FS MAX	Maximum Sampling Frequency	Sampling frequency for which ENOB < 6 bits
FS MIN	Minimum Sampling Frequency	Sampling frequency for which the ADC gain has fallen by 0.5 dB with respect to the gain reference value. Performances are not guaranteed below this frequency
FPBW	Full Power Input Bandwidth	Analog input frequency at which the fundamental component in the digitally reconstructed output waveform has fallen by 3 dB with respect to its low frequency value (determined by FFT analysis) for input at full-scale -1 dB (-1 dBFS)
ENOB	Effective Number of Bits	$ENOB = \frac{SINAD - 1.76 + 20 \log \frac{A}{F_s/2}}{6.02}$ Where A is the actual input amplitude and V is the full-scale range of the ADC under test
IMD3	Inter Modulation Distortion	The two tones third order intermodulation distortion (IMD3) rejection is the ratio of either input tone to the worst third order intermodulation products
INL	Integral Non-linearity	The integral non-linearity for an output code (i) is the difference between the measured input voltage at which the transition occurs and the ideal value of this transition. INL (i) is expressed in LSBs, and is the maximum value of all INL (i)
JITTER	Aperture Uncertainty	The sample to sample variation in aperture delay. The voltage error due to jitter depends on the slew rate of the signal at the sampling point
NPR	Noise Power Ratio	The NPR is measured to characterize the ADC's performance in response to broad bandwidth signals. When using a notch-filtered broadband white-noise generator as the input to the ADC under test, the Noise-to-Power Ratio is defined as the ratio of the average out-of-notch to the average in-notch power spectral density magnitudes for the FFT spectrum of the ADC output sample test
NRZ	Non Return to Zero	When the input signal is larger than the upper bound of the ADC input range, the output code is identical to the maximum code and the out-of-range bit is set to logic one. When the input signal is smaller than the lower bound of the ADC input range, the output code is identical to the minimum code, and the out-of-range bit is set to logic one (it is assumed that the input signal amplitude remains within the absolute maximum ratings)
ORT	Overvoltage Recovery Time	Time to recover 0.2% accuracy at the output, after a 150% full-scale step applied on the input is reduced to midscale

Table 5. Definitions of Terms (Continued)

PSRR	Power Supply Rejection Ratio	PSRR is the ratio of input offset variation to a change in power supply voltage
SFDR	Spurious Free Dynamic Range	The ratio expressed in dB of the RMS signal amplitude, set at 1 dB below full-scale, to the RMS value of the next highest spectral component (peak spurious spectral component). SFDR is the key parameter for selecting a converter to be used in a frequency domain application (radar systems, digital receiver, network analyzer...). It may be reported in dBc (i.e., degrades as signal level is lowered), or in dBFS (i.e. always related back to converter full-scale)
SINAD	Signal to Noise and Distortion Ratio	The ratio expressed in dB of the RMS signal amplitude, set to 1 dB below full-scale, to the RMS sum of all other spectral components, including the harmonics except DC
SNR	Signal to Noise Ratio	The ratio expressed in dB of the RMS signal amplitude, set to 1 dB below full-scale, to the RMS sum of all other spectral components excluding the first five harmonics
SSBW	Small Signal Input Bandwidth	Analog input frequency at which the fundamental component in the digitally reconstructed output waveform has fallen by 3 dB with respect to its low frequency value (determined by FFT analysis) for input at full-scale -10 dB (-10 dBFS)
TA	Aperture Delay	The delay between the rising edge of the differential clock inputs (CLK,CLKB) (zero crossing point), and the time at which (V_{IN} , V_{INB}) is sampled
TC	Encoding Clock Period	TC1 = minimum clock pulse width (high) TC = TC1 + TC2 TC2 = minimum clock pulse width (low)
TD1	Time Delay from Data to Data Ready	General expression is TD1 = TC1 + TDR - TOD with TC = TC1 + TC2 = 1 encoding clock period
TD2	Time Delay from Data Ready to Data	General expression is TD1 = TC1 + TDR - TOD with TC = TC1 + TC2 = 1 encoding clock period
TF	Fall Time	Time delay for the output data signals to fall from 80% to 20% of delta between low level and high level
THD	Total Harmonic Distortion	The ratio expressed in dBc of the RMS sum of the first five harmonic components, to the RMS value of the measured fundamental spectral component
TOD	Digital Data Output Delay	The delay from the falling edge of the differential clock inputs (CLK, CLKB) (zero crossing point) to the next point of change in the differential output data (zero crossing) with a specified load
TPD	Pipeline Delay	The number of clock cycles between the sampling edge of an input data and the associated output data being made available (not taking in account the TOD). For the JTS8388B the TPD is 4 clock periods
TR	Rise Time	Time delay for the output data signals to rise from 20% to 80% of delta between the low level and high level
TRDR	Data Ready Reset Delay	Delay between the falling edge of the Data Ready output asynchronous Reset signal (DDR _B) and the reset to digital zero transition of the Data Ready output signal (DR)
TS	Settling Time	Time delay to achieve 0.2% accuracy at the converter output when an 80% full-scale step function is applied to the differential analog input
VSWR	Voltage Standing Wave	$VSWR = (1 + S_{11}) \div (1 - S_{11})$ Where S11 is the reflection coefficient of the scattering matrix. The VSWR over frequency measures the degree of mismatching between the packaged ADC input impedance (ideally 50 Ω or so) and the transmission line's impedance. The packaged ADC input impedance (transmission line and termination) is controlled so as to ensure VSWR < 1.2 :1 from DC up to 2.5 GHz. A VSWR of 1.2 :1 corresponds to a 0.039 dB insertion loss (20 dB return loss) - i.e. 99% power transmitted and 1% reflected

TS83102G0B Operating Features

Timing Information

Timing Value for TS83102G0B

The timing values are defined in the “Electrical Operating Characteristics” on page 4.

The timing values are given at the package inputs/outputs, taking into account the package’s transmission line, bond wire, pad and ESD protections capacitance, as well as specified termination loads. The evaluation board propagation delays in 50 Ω controlled impedance traces are not taken into account. You should apply proper derating values corresponding to termination topology.

Propagation Time Considerations

The TOD and TDR timing values are given from the package pin to pin and do not include the additional propagation times between the device pins and input/output termination loads. For the evaluation board, the propagation time delay is 6.1 ps/mm (155 ps/inch) corresponding to a 3.4 dielectric constant (at 10 GHz) of the RO4003 used for the board.

If a different dielectric layer is used (for instance Teflon), you should use appropriate propagation time values.

TD1 and TD2 do not depend on propagation times because they are differential data (see “Definition of Terms” on page 35).

TD1 and TD2 are also the most straightforward data to measure, because they are differential: TD can be measured directly on the termination loads, with matching oscilloscope probes.

TOD-TDR Variation Over Temperature

Values for TOD and TDR track each other over the temperature (there is a 1% variation for TOD and TDR per 100° C temperature variation). Therefore the TOD and TDR variation over temperature is negligible. Moreover, the internal (on-chip) skews between each TOD and TDR data effect can be considered negligible. Consequently, the minimum values for TOD and TDR are never more than 100 ps apart. The same is true for their maximum values.

However, the external TOD and TDR values can be dictated by the total digital data skews between each TOD and TDR. These digital skews can include the MCM board, bonding wires and output line length differences, as well as output termination impedance mismatches.

The external (on-board) skew effect has not been taken into account for the specification of TOD and TDR minimum and maximum values.

Principle of Operation

The analog input is sampled on the rising edge of the external clock’s input (CLK/CLKB) after TA (aperture delay). The digitized data is available after 4 clock periods’ latency (pipeline delay [TPD]) on the clock’s rising edge, after a typical propagation delay TOD. The Data Ready differential output signal frequency (DR/DRB) is half the external clock’s frequency. It switches at the same rate as the digital outputs. The Data Ready output signal (DR/DRB) switches on the external clock’s falling edge after a propagation delay TDR.

If TOD equals TDR, the rising edge (True-False) of the differential Data Ready signal is placed in the middle of the Output Data Valid window. This gives maximum setup and hold times for external data acquisition.

A Master Asynchronous Reset input command DRRB (ECL compatible single-ended input) is available for initializing the differential Data Ready output signal (DR/DRB). This feature is mandatory in certain applications using interleaved ADCs or using a single ADC with demultiplexed outputs. Without Data Ready signal initialization, it is impossible to store the output digital data in a defined order.

When used with Atmel's TS81102G0 1:4/8 8/10 bit DMUX, it is not necessary to initialize Data Ready, as this device can start on either clock edge.

Principle of Data Ready Signal Control by DRRB Input Command

Data Ready Output Signal Reset

The Data Ready signal is reset on the DRRB input command's falling edge, on the ECL logical low level (-1.8V). DRRB may also be tied to $V_{EE} = -5V$ for the Data Ready output signal master reset. As long as DRRB remains at a logical low level, (or tied to $V_{EE} = -5V$), the Data Ready output remains at a logical zero and is independent of the external free-running encoding clock.

The Data Ready output signal (DR/DRB) is reset to a logical zero after TRDR.

TRDR is measured between the -1.3V point of the DRRB input command's falling edge and the zero crossing point of the differential Data Ready output signal (DR/DRB). The Data Ready Reset command may be a pulse of 1 ns minimum time width.

Data Ready Output Signal Restart

The Data Ready output signal restarts on the DRRB command's rising edge, on the ECL logical high level (-0.8V).

DRRB may also be grounded, or may float, for normal free-running of the Data Ready output signal. The Data Ready signal's restart sequence depends on the logical level of the external encoding clock, at a DRRB rising edge instant:

- The DRRB's rising edge occurs when the external encoding clock input (CLK/CLKB) is LOW : the Data Ready output's first rising edge occurs after half a clock period on the clock's falling edge, and a TDR delay time of 410 ps, as defined above.
- The DRRB's rising edge occurs when the external encoding clock input (CLK/CLKB) is HIGH : the Data Ready output's first rising edge occurs after one clock period on the clock's falling edge, and a TDR delay time of 410 ps.

Consequently, as the analog input is sampled on the clock's rising edge, the first digitized data corresponding to the first acquisition (N), after a Data Ready signal restart (rising edge), is always strobed by the third rising edge of the Data Ready signal.

The time delay (TD1) is specified between the last point of a change in the differential output data (zero crossing point) to the rising or falling edge of the differential Data Ready signal (DR/DRB) [zero crossing point].

Note: For normal initialization of the Data Ready output signal, the external encoding clock signal frequency and level must be controlled. The minimum encoding clock sampling rate for the ADC is 150 Msps, due to the internal Sample and Hold drop rate. Consequently the clock cannot be stopped.

Timing Diagram

Figure 40. TS83102G0B Timing Diagram (2 Gsps Clock Rate) - Data Ready Reset Clock Held at LOW Level

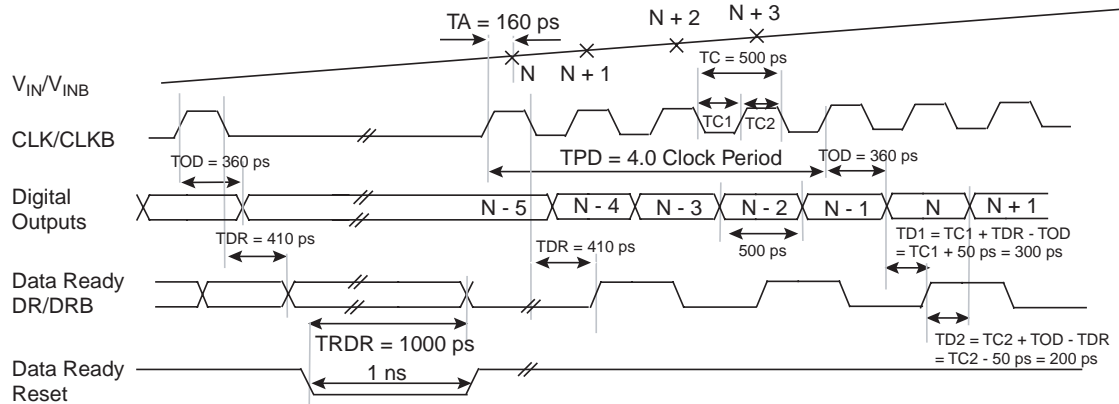
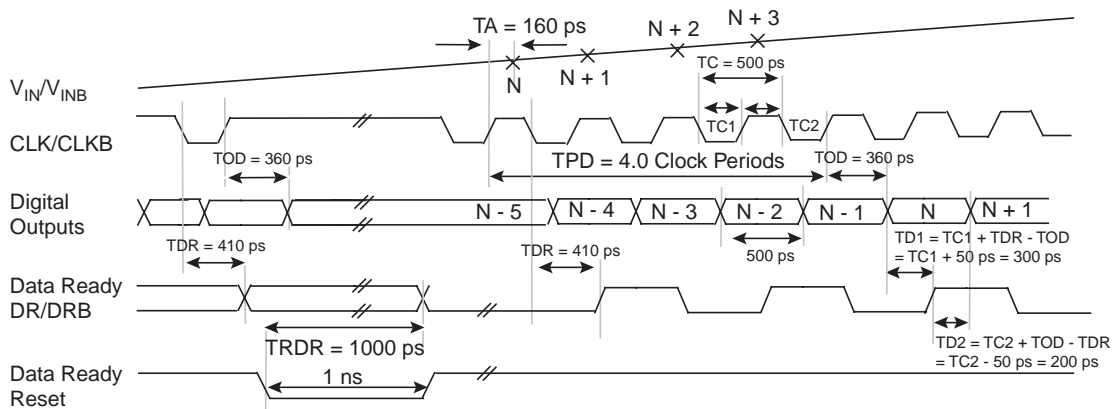


Figure 41. TS83102G0B Timing Diagram (2 Gsps Clock Rate) - Data Ready Reset Clock Held at HIGH Level



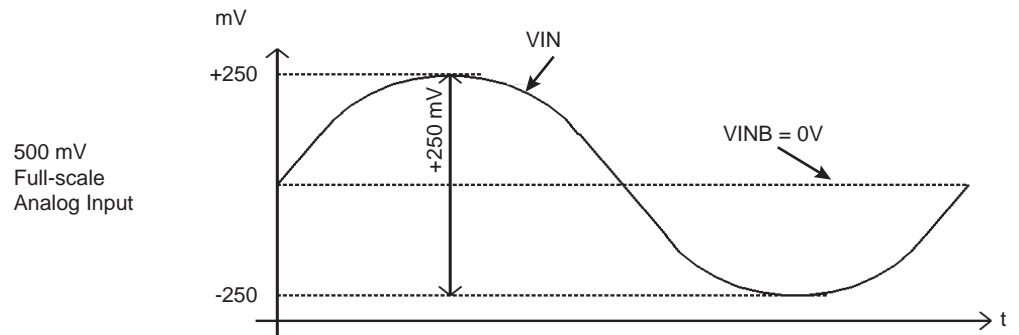
Analog Inputs (VIN/VINB)

Static Issues: Differential Versus Single-ended (Full- scale Inputs)

The ADC's front-end Track and Hold differential preamplifier has been designed to be entered either in differential or single-ended mode, up to the maximum operating speed of 2.2 Gsps, without affecting dynamic performances (it does not require a single to differential balun).

In a single-ended input configuration, the in-phase full-scale input amplitude is 0.5V peak-to-peak, centered on 0V (or -2 dBm into 50 Ω).

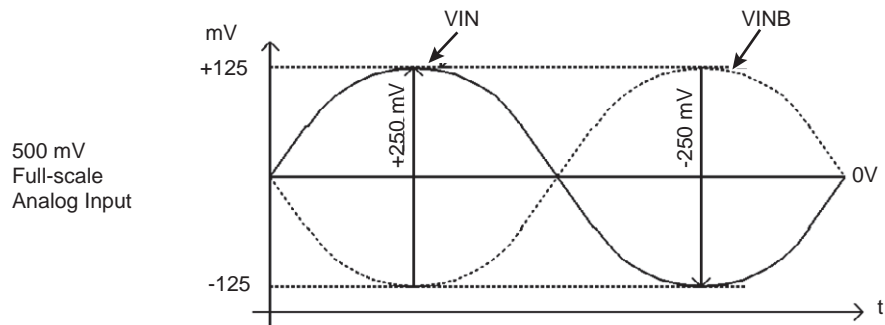
Figure 42. Typical Single-ended Analog Input Configuration (Full-scale)



The analog full-scale input range is 0.5V peak-to-peak (V_{pp}), or -2 dBm into the 50 Ω (100 Ω differential) termination resistor.

In the differential mode input configuration, this means 0.25V on each input, or ± 125 mV around 0V. The input common mode is ground.

Figure 43. Differential Inputs Voltage Span (Full-scale)



Dynamic Issues: Input Impedance and VSWR

The TS83102G0B analog input features a 100 Ω ($\pm 2\%$) differential input impedance ($2 \times 50 \Omega // 0.3$ pF). Each analog input (VIN, VINB) is terminated by 50 Ω single-ended (100 Ω differential) resistors ($\pm 2\%$ matching) soldered into the package cavity.

The transmission lines of the ADC package's analog inputs feature a 50 Ω controlled impedance. Each single-ended die input pad capacitance (taking into account the ESD protection) is 0.3 pF. This leads to a global input VSWR (including ball, package and bounding) of less than 1.2 from DC up to 2.5 GHz.

Clock Inputs (CLK/CLKB)

The TS83102G0B clock inputs are designed for either single-ended or differential operation. The device's clock inputs are on-chip 100 Ω (2 x 50 Ω) differentially terminated. The termination mid point is AC coupled to ground through a 40 pF on-chip capacitor. Therefore, either ground or different common modes can be used (ECL, LVDS).

Note: As long as V_{IH} remains below the 1V peak, the ADC clock can be DC coupled. If V_{IH} is higher than the 1V peak, it is necessary to AC couple the signal via 100 pF capacitors, for example, and to bias CLK and CLKB:

- CLK biased to ground via a 10 kΩ resistor
- CLKB biased to ground via a 10 kΩ resistor and to V_{EE} via a 100 kΩ resistor.

However, logic ECL or LVDS square wave clock generators are not recommended because of poor jitter performances. Furthermore, the propagation times of the biasing tees used to offset the common mode voltage to ECL or LVDS levels may not match. A very low-phase noise (low jitter) sinewave input signal should be used for enhanced SNR performance, when digitizing high frequency analog inputs. Typically, when using a sinewave oscillator featuring a -135 dBc/Hz phase noise, at 20 KHz from the carrier, a global jitter value (including the ADC and the generator) of less than 200 fs RMS has been measured. If the clock signal frequency is at fixed rates, it is recommended to narrow-band filter the signal to improve jitter performance.

Note: The clock input buffer's 100 Ω termination load is on-chip and mid-point AC coupled (40 pF) to the chip's ground plane, whereas the analog input buffer's 100 Ω termination is soldered inside the package cavity and mid-point DC coupled to the package ground plane. Therefore, driving the analog input in single-ended mode does not perturb the chip's ground plane (since the termination mid-point is connected to the package ground plane). However, driving the clock input in single-ended mode does perturb the chip's ground plane (since the termination mid-point is AC coupled to the chip's ground plane). Therefore, it is required to drive the clock input in differential mode for minimum chip ground plane perturbation (a 4 dBm maximum operation is recommended). The typical clock input power is 0 dBm. The minimum operating clock input power is -4 dBm (equivalent to a 250 mV minimum swing amplitude), to avoid SNR performance degradations linked to the clock signal's slew rate.

A single to differential balun with sqrt (2) ratio may be used (featuring a 50 Ω input impedance with 100 Ω differential termination).

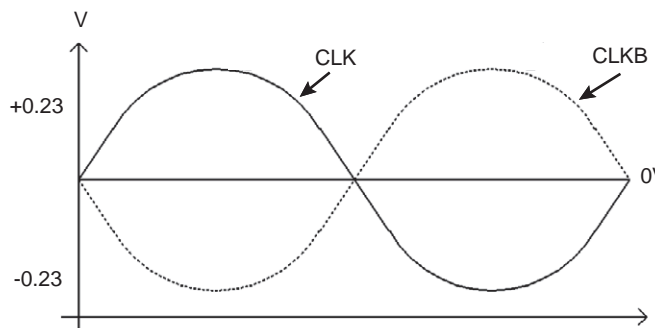
For instance:

- 4 dBm is equivalent to 1 Vpp into 50 Ω and 1.4 Vpp into 100 Ω termination (secondary).
- 0 dBm is equivalent to 0.632 Vpp into 50 Ω and $0.632 \times \sqrt{2} = 0.894$ Vpp into 100 Ω termination (secondary), ± 0.226V at each clock input.

The recommended clock input's common mode is ground.

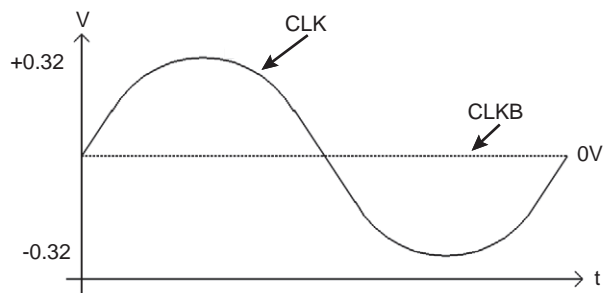
Differential Clock Inputs Voltage Levels (0 dBm Typical)

Figure 44. Differential Clock Inputs - Ground Common Mode (Recommended)



Equivalent Single-ended Clock Input Voltage Levels (0 dBm Typical)

Figure 45. Single-ended Clock Inputs - Ground Common Mode



Noise Immunity Information

The circuit's noise immunity performance begins at the design level. Efforts have been made on the design to make the device as insensitive as possible to chip environment perturbations, which may result from the circuit itself or be induced by external circuitry (cascode stage's isolation, internal damping resistors, clamps, internal on-chip decoupling capacitors.)

Furthermore, the fully differential operation from the analog input up to the digital output provides enhanced noise immunity by common mode noise rejection. The common mode noise voltage induced on the differential analog and clock inputs is cancelled out by these balanced differential amplifiers.

Moreover, proper active signal shielding has been provided on the chip to reduce the amount of coupled noise on the active inputs. The analog and clock inputs of the TS83102G0B device have been surrounded by ground pins, which must be directly connected to the external ground plane.

Digital Outputs: Termination and Logic Compatibility

Each single-ended output of the TS83102G0B's differential output buffers are internally $50\ \Omega$ terminated, and feature a $100\ \Omega$ differential output impedance. The $50\ \Omega$ resistors are connected to the VPLUSD digital power supply. The TS83102G0B output buffers are designed to drive $50\ \Omega$ controlled impedance lines properly terminated by a $50\ \Omega$ resistor. A 10.5 mA bias current flowing alternately into one of the $50\ \Omega$ resistors when switching, ensures a 0.25V single-ended voltage drop across the resistor (0.5V differential).

Each single-ended output transmission line length must be kept identical ($< 3\ \text{mm}$). Mismatches in the differential line lengths may cause variations in the output differential common mode.

It is recommended to bypass the midpoint of the differential $100\ \Omega$ termination with a 47 pF capacitor, so as to avoid common mode perturbations in case of a slight mismatch in the differential output line lengths.

See the recommended termination scenarios in Figures 46. and 47. below.

Note: Since the output buffers feature a 100 Ω differential output impedance, it is possible to directly drive high the input impedance storing registers without terminating the 50 Ω transmission lines. Timewise, this means that the incident wave reflects at the 50 Ω transmission line output and travels back to the 50 Ω data output buffer. Since the buffer output impedance is 50 Ω, no back reflection occurs and the output swing is doubled.

VPLUSD Digital Power Supply Settings

- For differential ECL digital output levels: V_{PLUSD} should be supplied with -0.8V (or connected to ground via a 5 Ω resistor to ensure the -0.8 voltage drop).
- For the LVDS digital output logic compatibility: V_{PLUSD} should be tied to 1.45V (± 75 mV).

If used with the TS81102G0 DMUX, V_{PLUSD} can be set to ground.

ECL Differential Output Termination Configurations

Figure 46. 50 Ω Terminated Differential Outputs (Recommended)

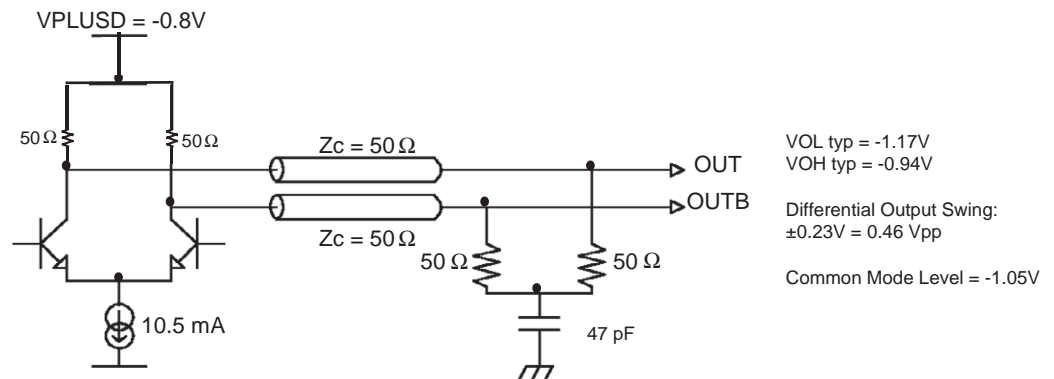
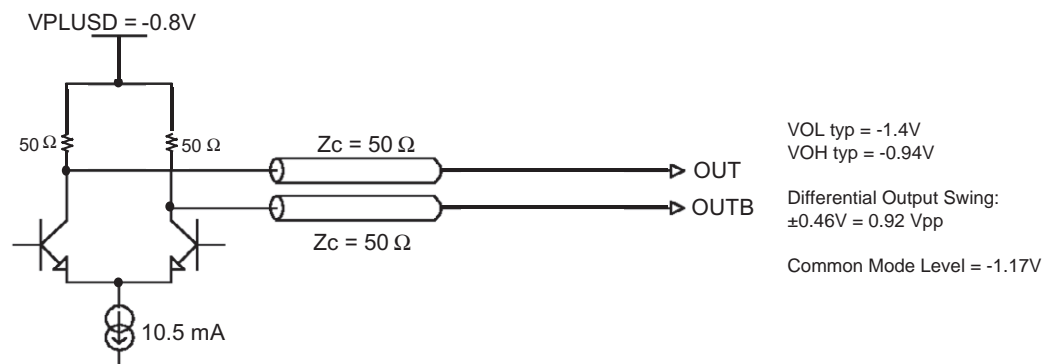


Figure 47. unterminated Differential Outputs (Optional)



LVDS Differential Output Loading Configurations

Figure 48. 50 Ω Terminated Differential Outputs (Recommended)

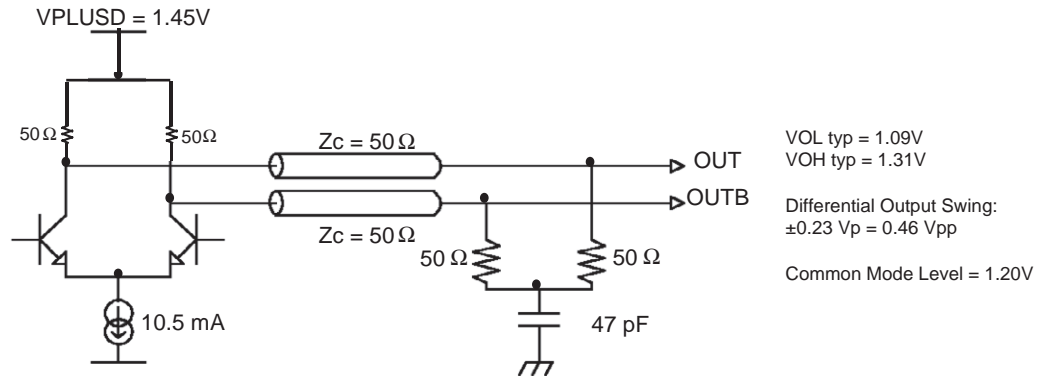
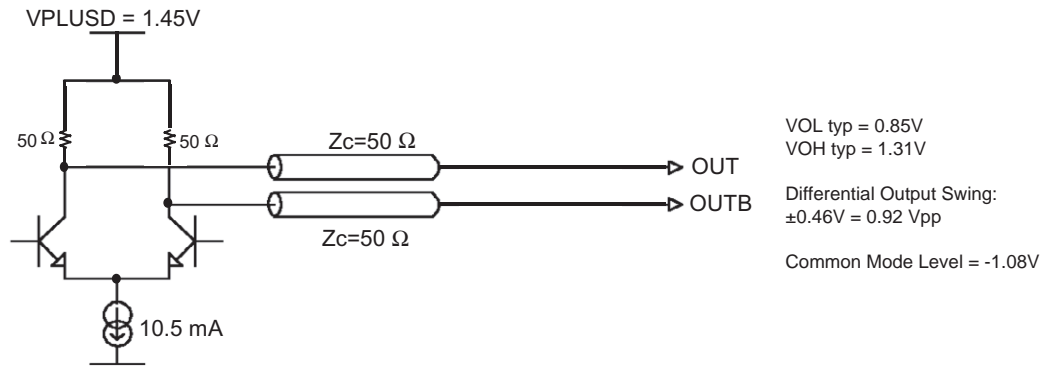
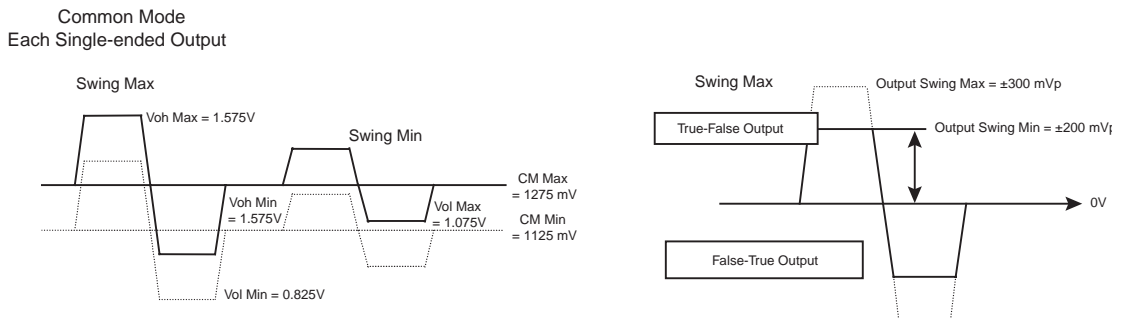


Figure 49. Unterminated Differential Outputs (Optional)



LVDS Logic Compatibility

Figure 50. LVDS Format (Refer to the IEEE Standards 1596.3 - 1994): $1125 \text{ mV} < \text{Common Mode} < 1275 \text{ mV}$ and $250 \text{ mV} < \text{Output Swing} < 400 \text{ mV}$



Main Functions of the ADC

Out-of-range Bit (OR/ORB)

The out-of-range bit reaches a logical high state when the input exceeds the positive full-scale or falls below the negative full-scale. When the analog input exceeds the positive full-scale, the digital outputs remain at a logical high state with OR/ORB at a logical one. When the analog input falls below the negative full-scale, the digital outputs remain at a logical low state, with OR/ORB at a logical one again.

Bit Error Rate (BER)

The TS83102G0B's internal regeneration latches indecisions (for inputs very close to the latches' threshold). This may produce errors in the logic encoding circuitry, leading to large amplitude output errors.

This is because the latches regenerate the internal analog residues into logical states with a finite voltage gain value (A_v) within a given positive amount of time $D(t)$: $A_v = \exp(D(t)/t)$, with t being the positive regeneration time constant feedback.

The TS83102G0B has been designed to reduce the probability of such errors occurring to 10-12 (measured for the converter at 2 Gsps). A standard technique for reducing the amplitude of such errors down to ± 1 LSB consists in setting the digital output data to gray code format. However, the TS83102G0B has been designed to feature a Bit Error Rate of 10-12 with a binary output format.

Gray or Binary Output Data Format Selection

To reduce the amplitude of such errors when they occur, it is possible to choose between the binary or gray output data format by storing gray output codes.

Digital data format selection:

- BINARY output format if B/GB is floating or GND.
- GRAY output format if B/GB is connected to V_{EE} .

Pattern Generator Function

The pattern generator function (enabled by connecting pin A9 PGEB to $V_{EE} = -5V$) allows you to rapidly check the ADC's operation thanks to a checker board pattern delivered internally to the ADC. Each of the ADC's output bits should toggle from 0 to 1 successively, giving sequences such as 0101010101 and 1010101010 every 2 cycles. This function is disabled when PGEB is left floating or connected to Ground.

DECB/DIODE: Junction Temperature Monitoring and Output Decimation Enable

The DECB/DIODE pin is provided to enable the decimation function and monitor the die junction temperature.

When $V_{EE} = -5V$, the ADC runs in "decimation by 32" mode (1 out of 32 data is output from the ADC, thus reducing the data rate by 32).

When the DECB/DIODE pin is left floating or connected to Ground, then the ADC is said to be in a "normal" mode of operation (the output data is not decimated) and can be used for die junction temperature monitoring only.

If you do not intend to use the die junction temperature monitoring function, the DECB/DIODE pin (A10) has to be left either floating or connected to ground.

The decimation function can be used to debug the ADC at initial stages. This function enables you to reduce the ADC output rate by 32, thus reducing the time of the ADC's debug phase at the maximum speed rate, and is compatible with industrial testing environments.

When this function is active, the ADC outputs only 1 out of 32 bits of data, resulting in a data rate 32 times slower than the clock rate.

Note: The ADC decimation test mode is different from the pattern generator function, which is used to check the ADC's outputs.

External Configuration Description

Because of the use of one internal diode-mounted transistor (used for junction temperature monitoring), you have to implement external head-to-tail protection diodes so as to avoid potential reverse current flows, which can damage the internal diode component.

Two external configurations are possible:

- Configuration 1: allows both junction temperature monitoring and output data decimation.
- Configuration 2: allows junction temperature monitoring only.

Configuration 1

This external configuration allows you to apply the requested levels to activate output data decimation ($V_{EE} = -5V$) and at the same time monitor the junction temperature diode (this explains why 7 protection diodes are needed in the other direction, as shown in Figure 51).

Figure 51. Recommended Diode Pin Implementation Allowing for Both Die Junction Temperature Monitoring Function and Decimation Mode

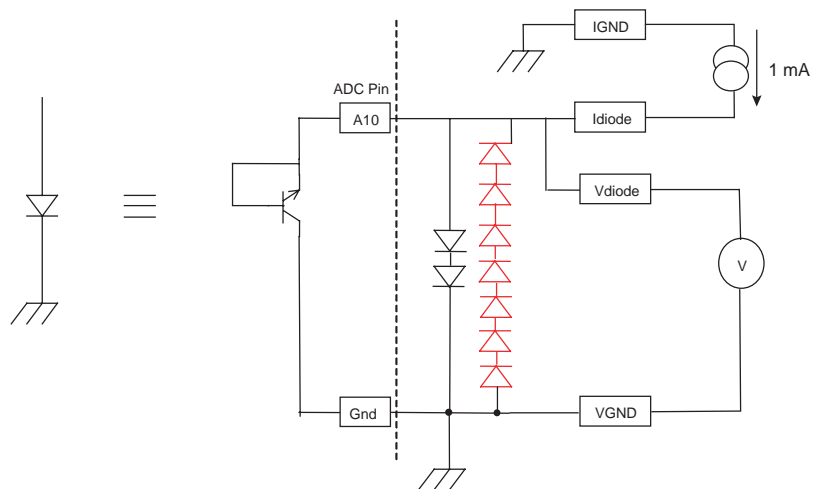
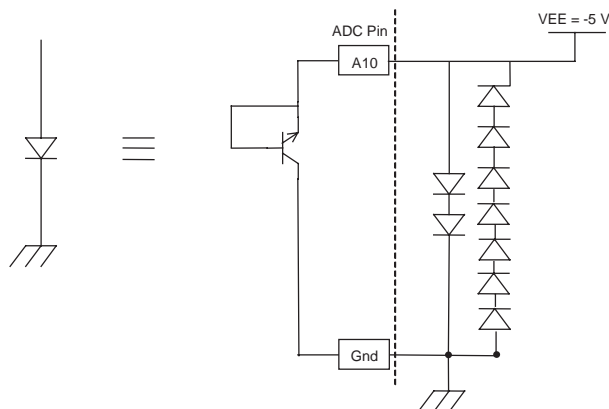


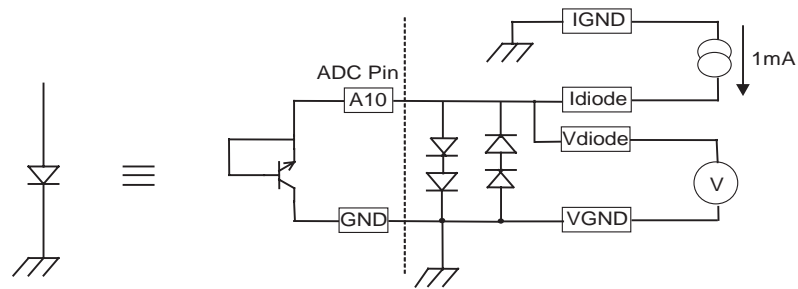
Figure 52. Diode Pin Implementation for Decimation Activation



Configuration 2:

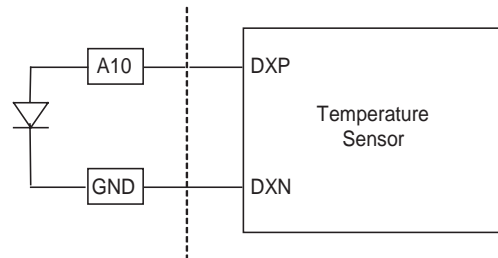
Note: In the preliminary specification, Atmel recommends the use of 2 x 3 head-to-tail protection diodes. The final updated configuration is described in Figures .

Figure 53. Diode Pin Implementation of Die Junction Temperature Monitoring Function Only



A typical configuration with a standard digital temperature sensor is depicted in Figure 54.

Figure 54. Typical Configuration with a Digital Temperature Sensor

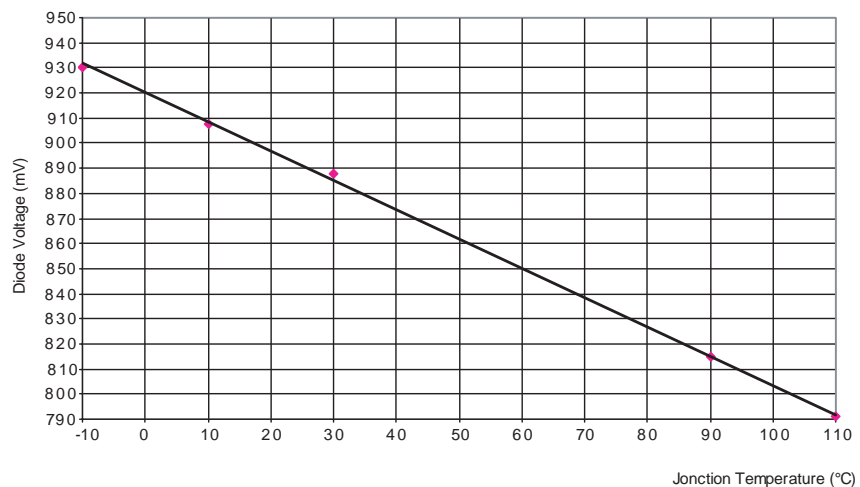


This configuration enables you to implement a digital temperature sensor, to be interfaced with the ASIC (DSP or FPGA) loading the ADC.

Junction Temperature Diode Transfer Function

The forward voltage drop (V_{DIODE}), across the diode component, versus the junction temperature (including the chip's parasitic resistance) is given in the following graph ($I_{DIODE} = 1\text{ mA}$).

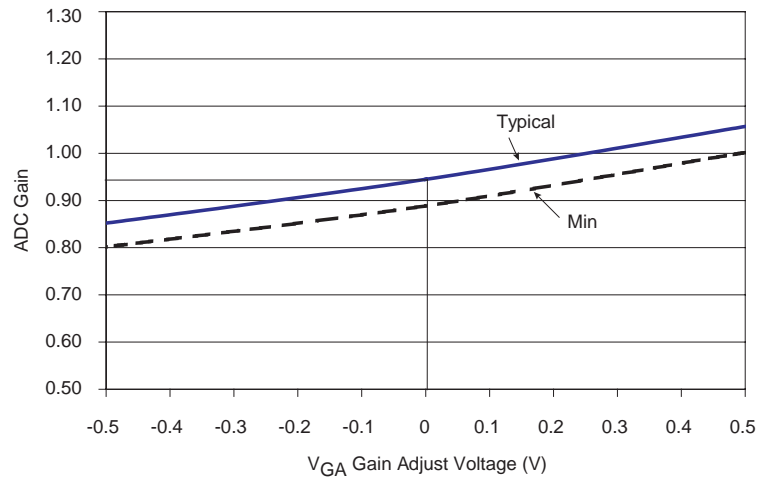
Figure 55. Junction Temperature Versus Diode Voltage for $I = 1\text{ mA}$



ADC Gain Control

The ADC gain is adjustable by using pin R9 of the CBGA package. The gain adjust transfer function is shown below.

Figure 56. Gain Adjust Transfer Function



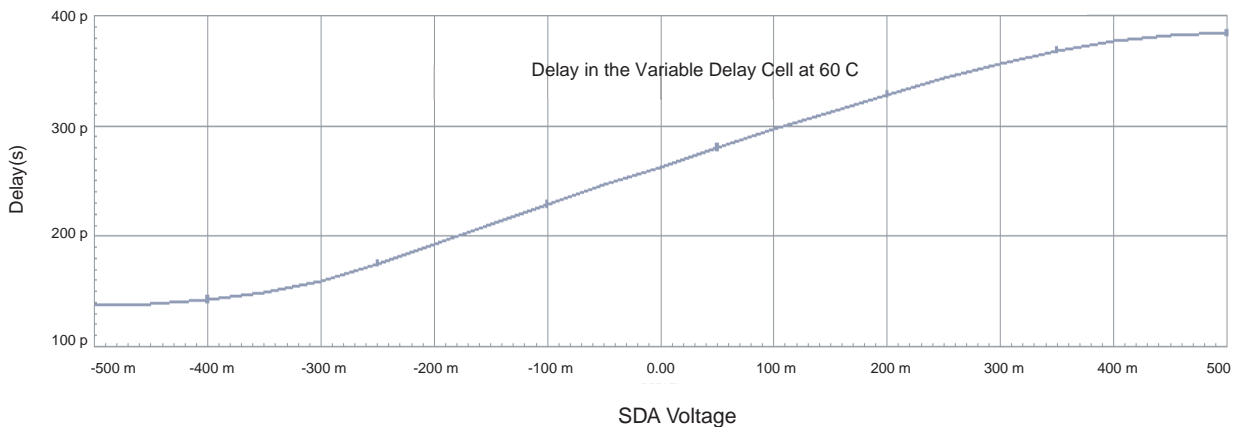
Sampling Delay Adjust

The sampling delay adjust (SDA pin) enables you to fine-tune the sampling ADC aperture delay TAD around its nominal value (160 ps). This functionality is enabled with the SDAEN signal, which is active when tied to V_{EE} and inactive when tied to GND.

This feature is particularly interesting for interleaving ADCs to increase the sampling rate.

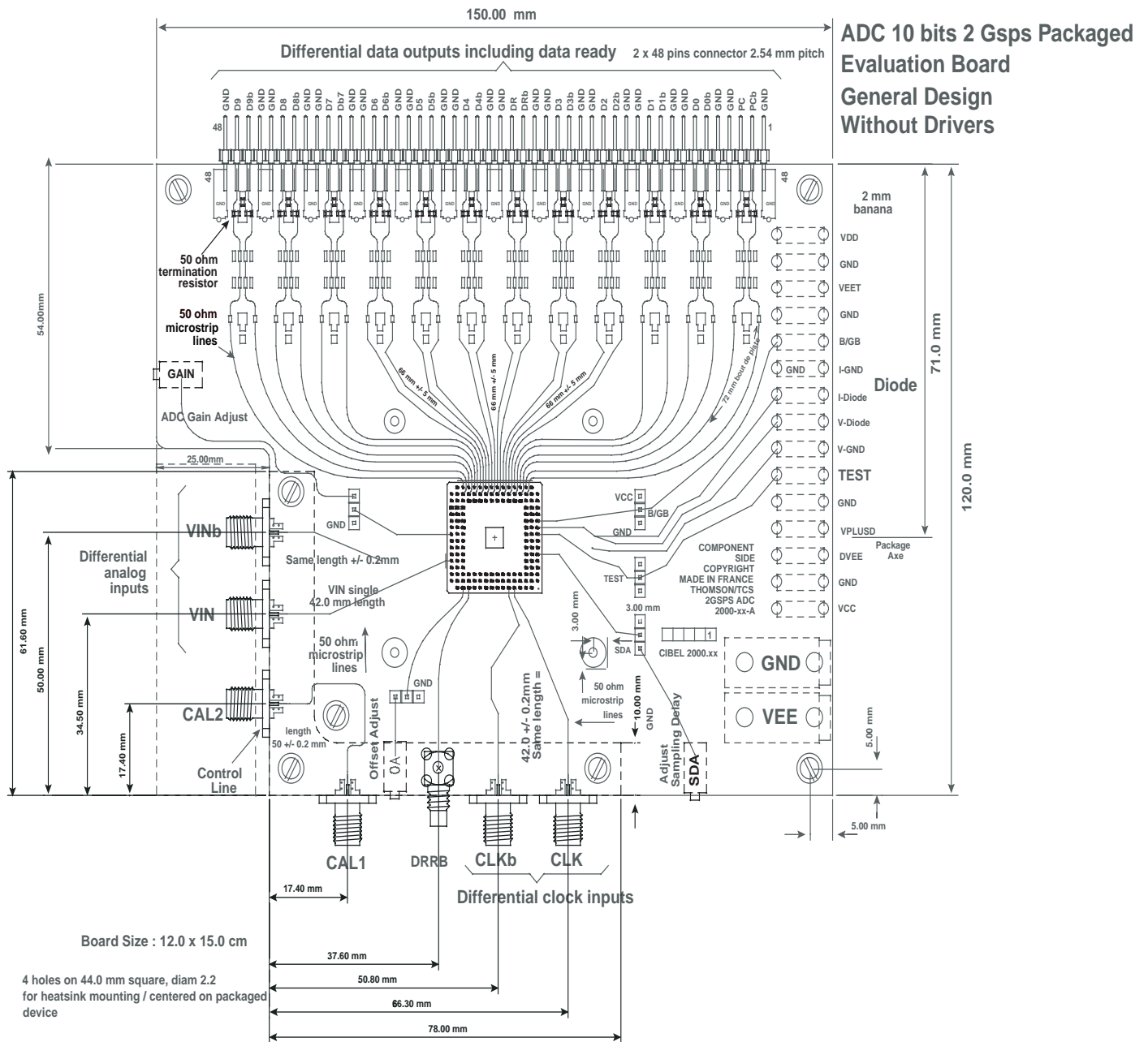
The variation of the delay around its nominal value as a function of the SDA voltage is shown in Figure 57 (simulation result).

Figure 57. Typical Tuning Range (± 120 ps for Applied Control Voltage Varying Between -0.5V and 0.5V on the SDA Pin)



TSEV83102G0B Evaluation Board

Figure 58. Schematic Board View



Note: For more details, refer to the TSEV83102G0BGL Evaluation Board datasheet.



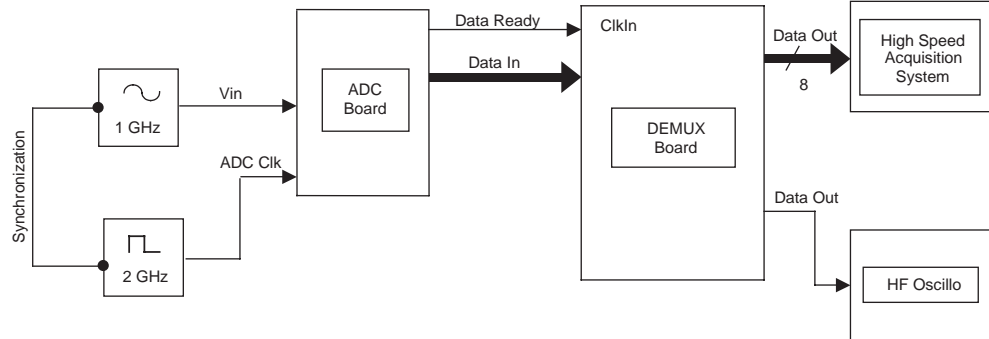
Applying the TS83102G0B with the TS81102G0 Demultiplexer

The TS83102G0B output data rate can be demultiplexed 4 or 8 times by using the TS81102G0 (8/10-bit parallel channel 2 Gbps 1:4/1:8 demultiplexer).

The ADC's evaluation of static and dynamic performances can be done using the TSEV83102G0BGL ADC evaluation board, coupled with the TS81102G0 DMUX evaluation board and an acquisition system.

The following block diagram shows a typical characterization set-up.

Figure 59.



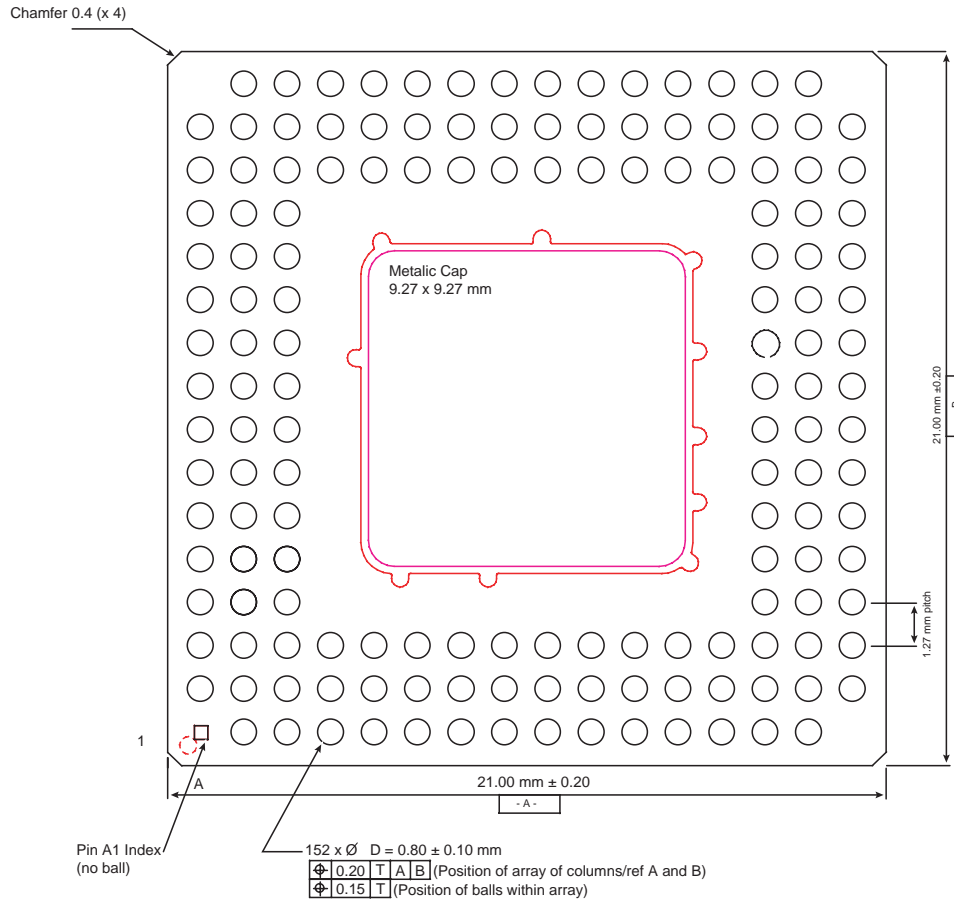
A separate technical specification of the TS81102G0 demultiplexer is available. Refer to this document for further information on the device.

Note: For more information, refer to the "DEMUX and ADCs Application Notes".

Package Description

Hermetic CBGA 152 Outline Dimensions

Figure 60. Mechanical Description Bottom View



Ceramic body size : 21 x 21 mm

Ball pitch : 1.27 mm

Cofired : Al₂O₃

Optional: discrete capacitor mounting lands on the top side of the package for extra decoupling.

Figure 61. Isometric View

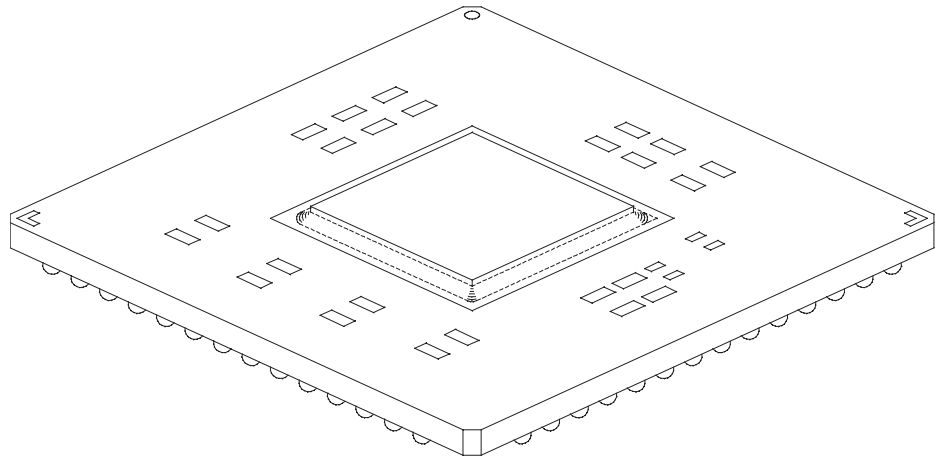


Figure 62. Package Top View

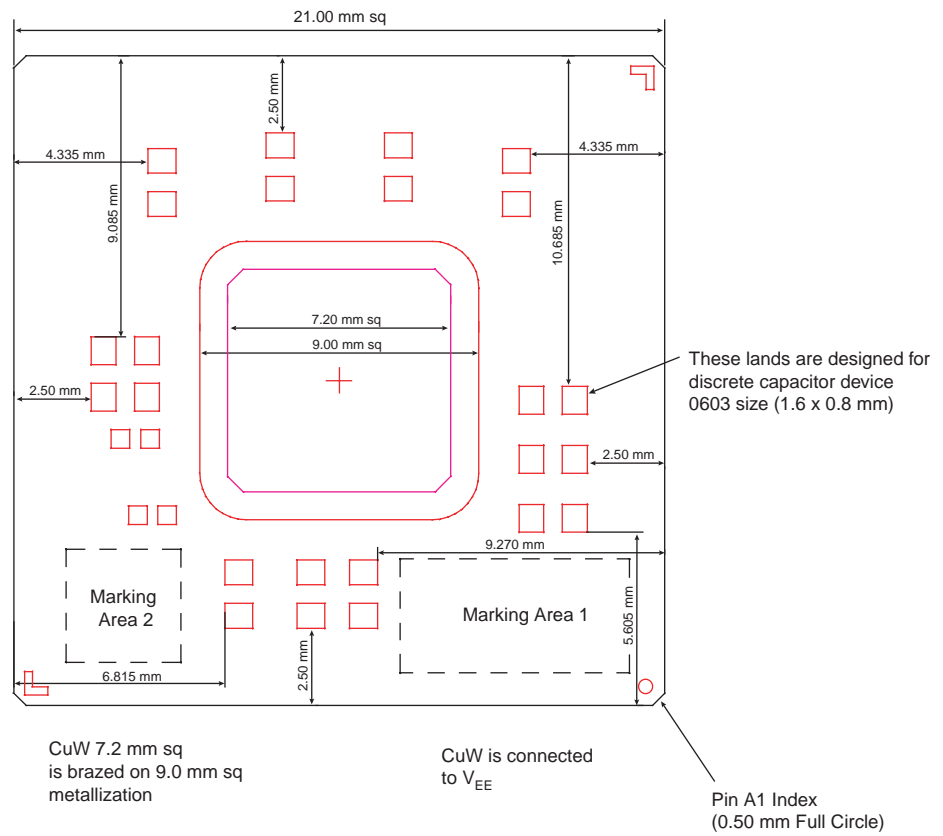
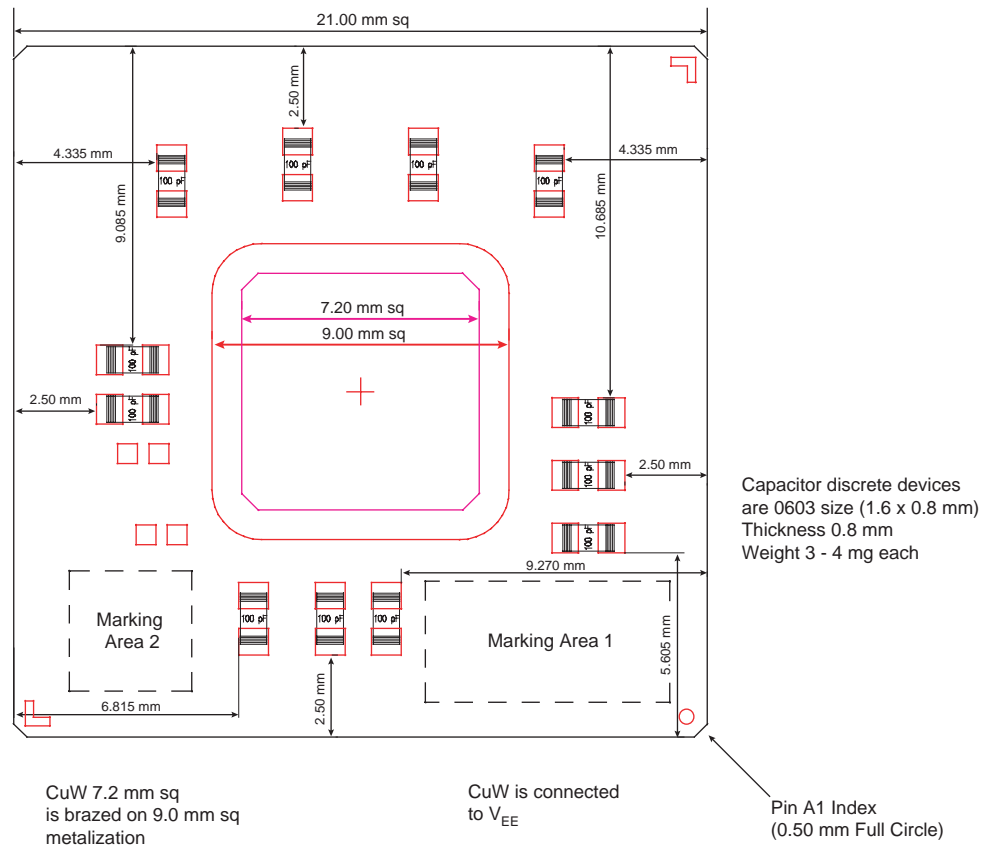


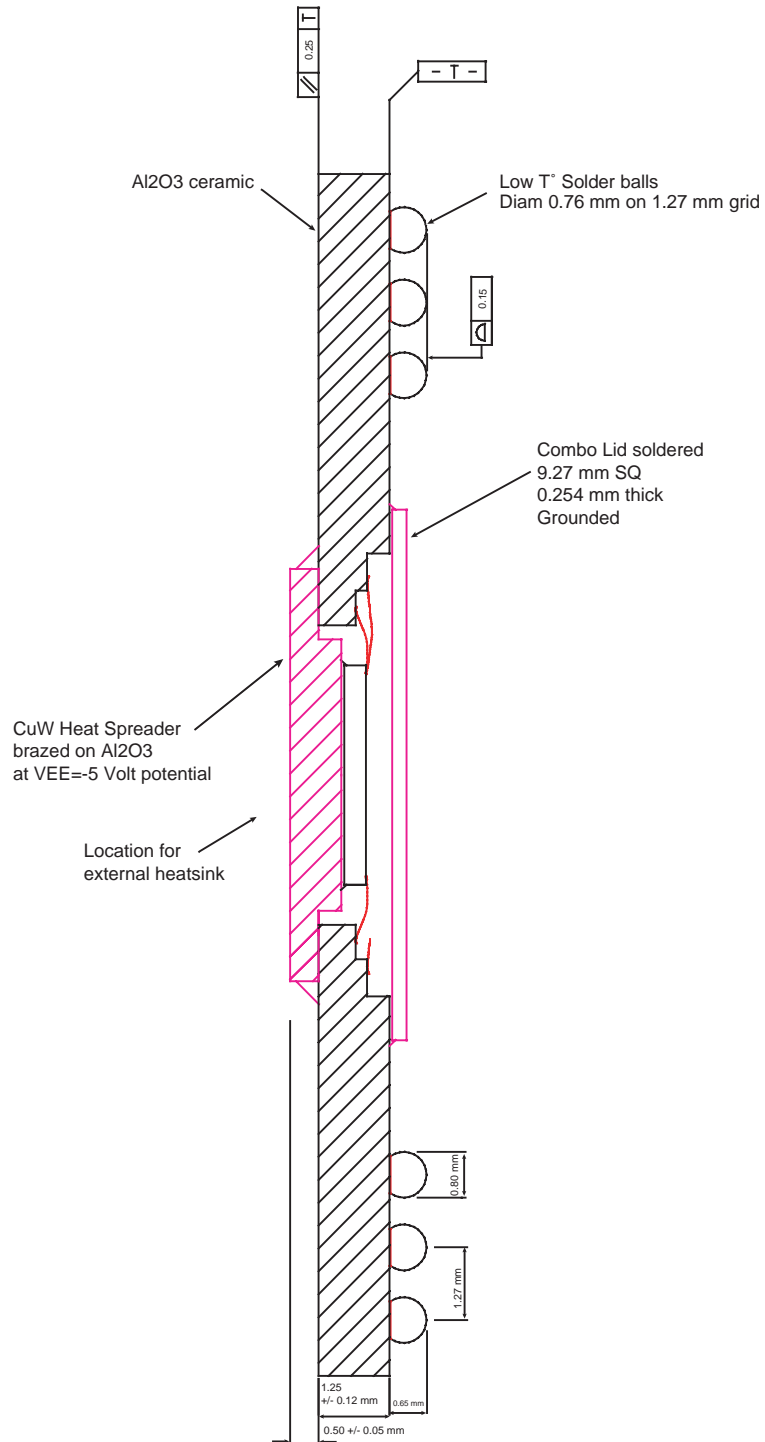
Figure 63. Package Top View with Optional Discrete Capacitors



Note: For additional decoupling of power supplies, extra land capacitors can be used, as shown in Figures . They are not required if following the evaluation board's decoupling recommendations or if using standard power supply sources (performance results of the device have proven to be equivalent without these capacitors).

Figure 64. Cross Section

CBGA 152 21x21 mm Cross Section
 10 bits/2 Gsps ADC. External heatsink required



Ordering Information

Part Number	Package	Temperature Range	Screening Level	Comments
TS83102G0BCGL	CBGA 152	“C” 0°C < T _c ; T _J < 90°C	Standard product	
TS83102G0BVGL	CBGA 152	“V” -20°C < T _c ; T _J < 110°C	Standard product	
TSEV83102G0BGL	CBGA 152	Ambient	Prototype	Evaluation Board (delivered with a heat sink)
JTS83102G0-1V1B	Die	Ambient	Visual inspection	UPON REQUEST ONLY (please contact your local Atmel sales office)



Atmel Corporation

2325 Orchard Parkway
San Jose, CA 95131, USA
Tel: 1(408) 441-0311
Fax: 1(408) 487-2600

Regional Headquarters

Europe

Atmel Sarl
Route des Arsenalux 41
Case Postale 80
CH-1705 Fribourg
Switzerland
Tel: (41) 26-426-5555
Fax: (41) 26-426-5500

Asia

Room 1219
Chinachem Golden Plaza
77 Mody Road Tsimshatsui
East Kowloon
Hong Kong
Tel: (852) 2721-9778
Fax: (852) 2722-1369

Japan

9F, Tonetsu Shinkawa Bldg.
1-24-8 Shinkawa
Chuo-ku, Tokyo 104-0033
Japan
Tel: (81) 3-3523-3551
Fax: (81) 3-3523-7581

Atmel Operations

Memory

2325 Orchard Parkway
San Jose, CA 95131, USA
Tel: 1(408) 441-0311
Fax: 1(408) 436-4314

Microcontrollers

2325 Orchard Parkway
San Jose, CA 95131, USA
Tel: 1(408) 441-0311
Fax: 1(408) 436-4314

La Chantrerie
BP 70602
44306 Nantes Cedex 3, France
Tel: (33) 2-40-18-18-18
Fax: (33) 2-40-18-19-60

ASIC/ASSP/Smart Cards

Zone Industrielle
13106 Rousset Cedex, France
Tel: (33) 4-42-53-60-00
Fax: (33) 4-42-53-60-01

1150 East Cheyenne Mtn. Blvd.
Colorado Springs, CO 80906, USA
Tel: 1(719) 576-3300
Fax: 1(719) 540-1759

Scottish Enterprise Technology Park
Maxwell Building
East Kilbride G75 0QR, Scotland
Tel: (44) 1355-803-000
Fax: (44) 1355-242-743

RF/Automotive

Theresienstrasse 2
Postfach 3535
74025 Heilbronn, Germany
Tel: (49) 71-31-67-0
Fax: (49) 71-31-67-2340

1150 East Cheyenne Mtn. Blvd.
Colorado Springs, CO 80906, USA
Tel: 1(719) 576-3300
Fax: 1(719) 540-1759

Biometrics/Imaging/Hi-Rel MPU/ High Speed Converters/RF Datacom

Avenue de Rochepleine
BP 123
38521 Saint-Egreve Cedex, France
Tel: (33) 4-76-58-30-00
Fax: (33) 4-76-58-34-80

Literature Requests

www.atmel.com/literature

For more information, please contact:
hotline-bdc@gfo.atmel.com

Disclaimer: Atmel Corporation makes no warranty for the use of its products, other than those expressly contained in the Company's standard warranty which is detailed in Atmel's Terms and Conditions located on the Company's web site. The Company assumes no responsibility for any errors which may appear in this document, reserves the right to change devices or specifications detailed herein at any time without notice, and does not make any commitment to update the information contained herein. No licenses to patents or other intellectual property of Atmel are granted by the Company in connection with the sale of Atmel products, expressly or by implication. Atmel's products are not authorized for use as critical components in life support devices or systems.

© Atmel Corporation 2004. All rights reserved. Atmel® and combinations thereof, are the registered trademarks of Atmel Corporation or its subsidiaries. Other terms and product names may be the trademarks of others.



Printed on recycled paper.

2101C-BDC-02/04