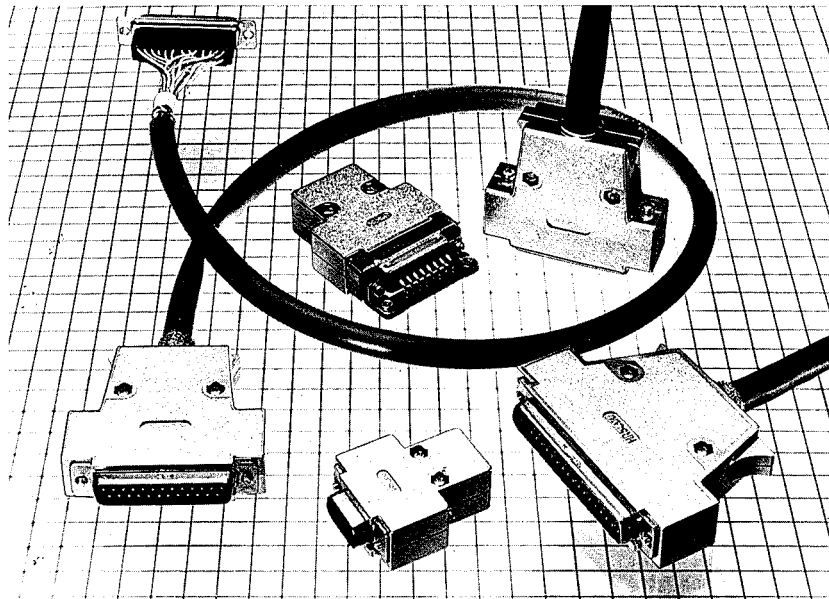


CTH SERIES METALIZED PLASTIC "D" SUBMINIATURE SHELL

General

The HIROSE "CTH" plug cases are made of plated plastic for achieve high shielding effectiveness. 9, 15, 25 and 37-contact models are available. Suitable for

protecting the interfaces between units from electro-magnetic interference.



Features

- (1) Standard screw type locking mechanism provides a strong and secure lock.
- (2) Plated ABS resin enable shell to be lightweight and strong with excellent shielding characteristics (ABS resin UL94V-2/plating UL746C)
- (3) Enhanced shielding effectiveness by clamping the cable shielding part with two types of clamps sandwiched between the plug cases.
- (4) The clamp has a screw to ground the drain wire.
- (5) Standard sizes can be used with HIROSE HD, CD, and FD series connectors and most competitive brands.
- (6) The CTH connectors are made of UL94V-2-plated ABS resin plated in compliance with UL746C standards.

Applications

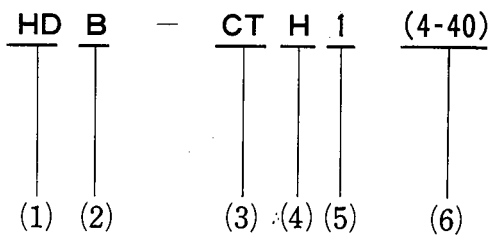
Computers, peripherals and terminals, control equipment, and measuring instruments.

Material and Finish

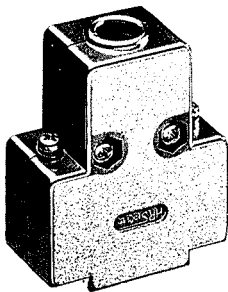
Parts	Materials	Finish
Plug Case	ABS	Chrome plated over nickel plated

Ordering Information

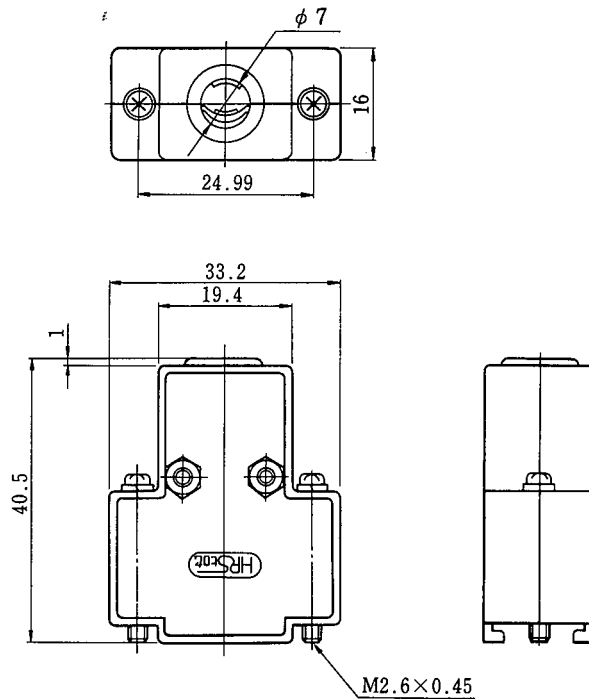
Plug Case

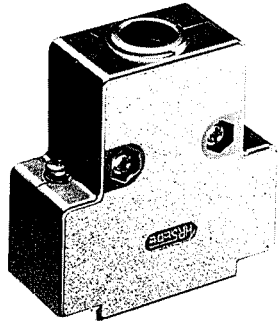


- (1) Series Name
Connector size: E(9 contacts), A(15 contacts), B(25 contacts), C(37 contacts)
- (3) Type of plug case
CT: With vertical cable inlet opening
- (4) Serial sign for series
H: Plug case made of plated plastic
- (5) No sign: Lock screw to be driven with screwdriver
1: Hand-driven lock screw
- (6) No sign: M2.6
(4-40): Inch

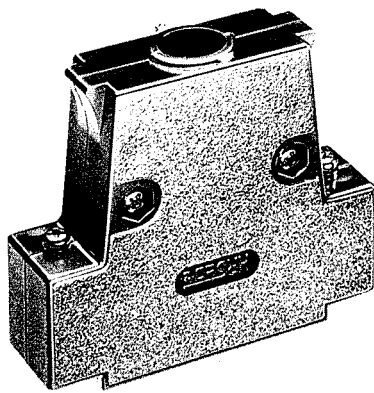
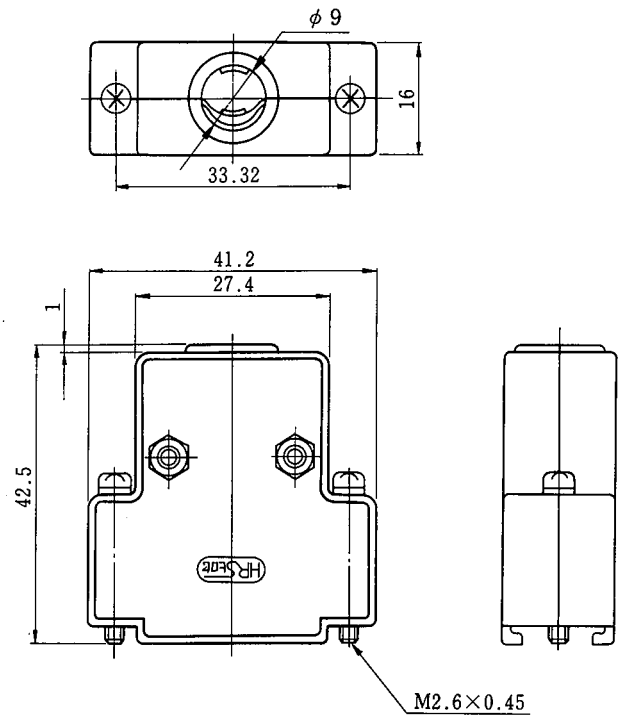


CL211-0276-1
HDE-CTH

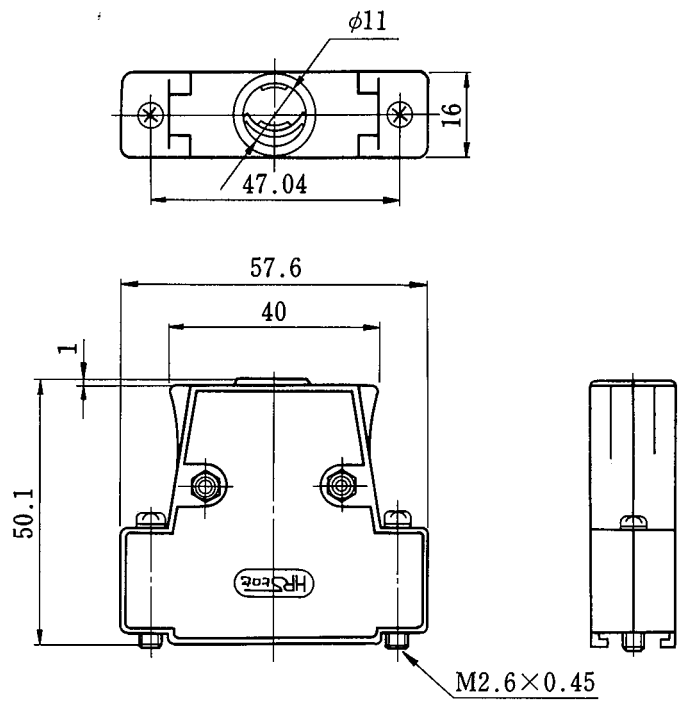


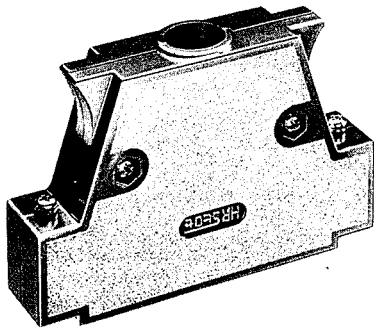


CL211-0277-4
HDA-CTH

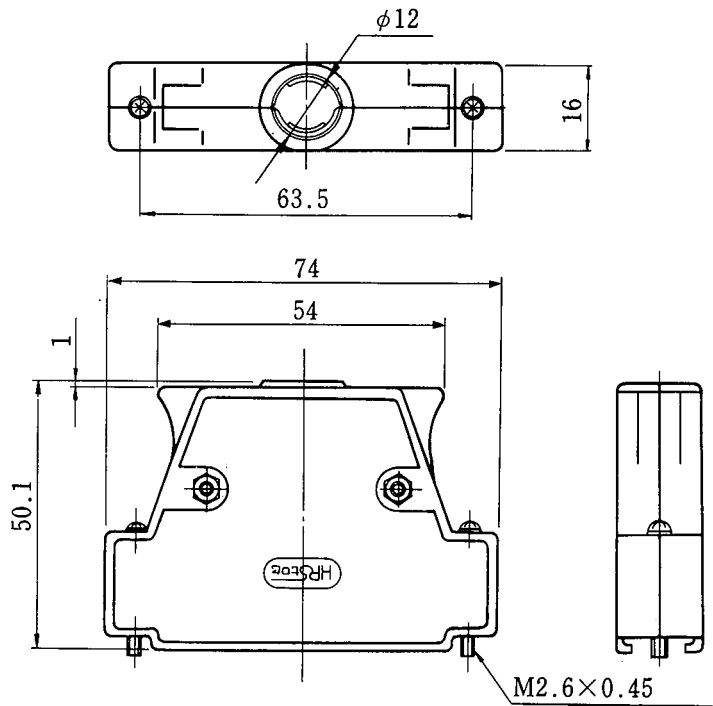


CL211-0278-7
HDB-CTH

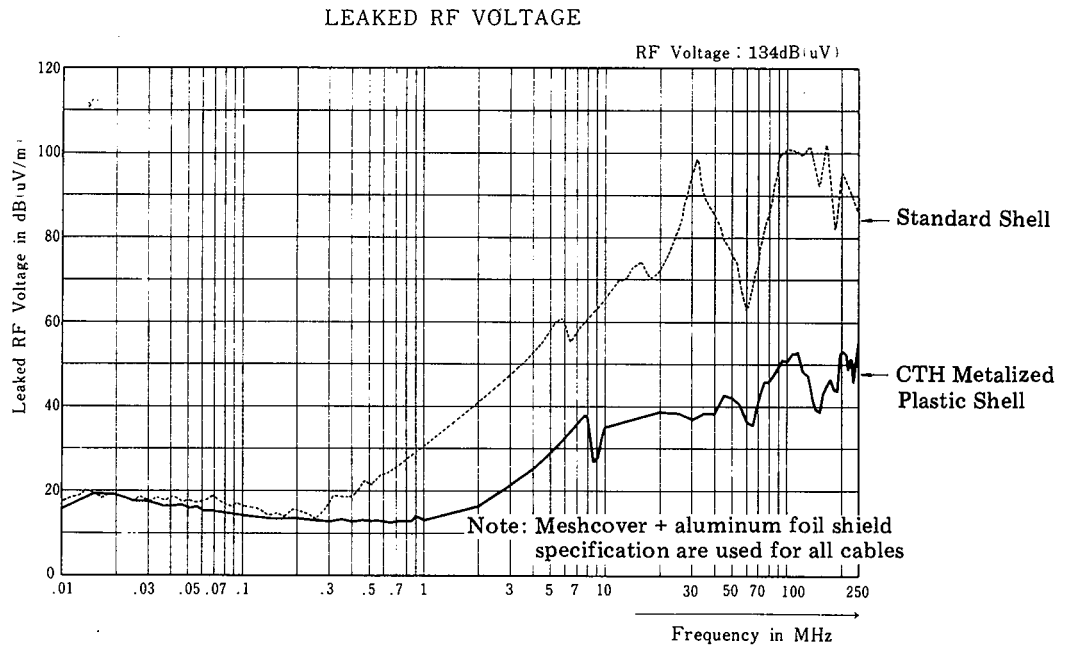




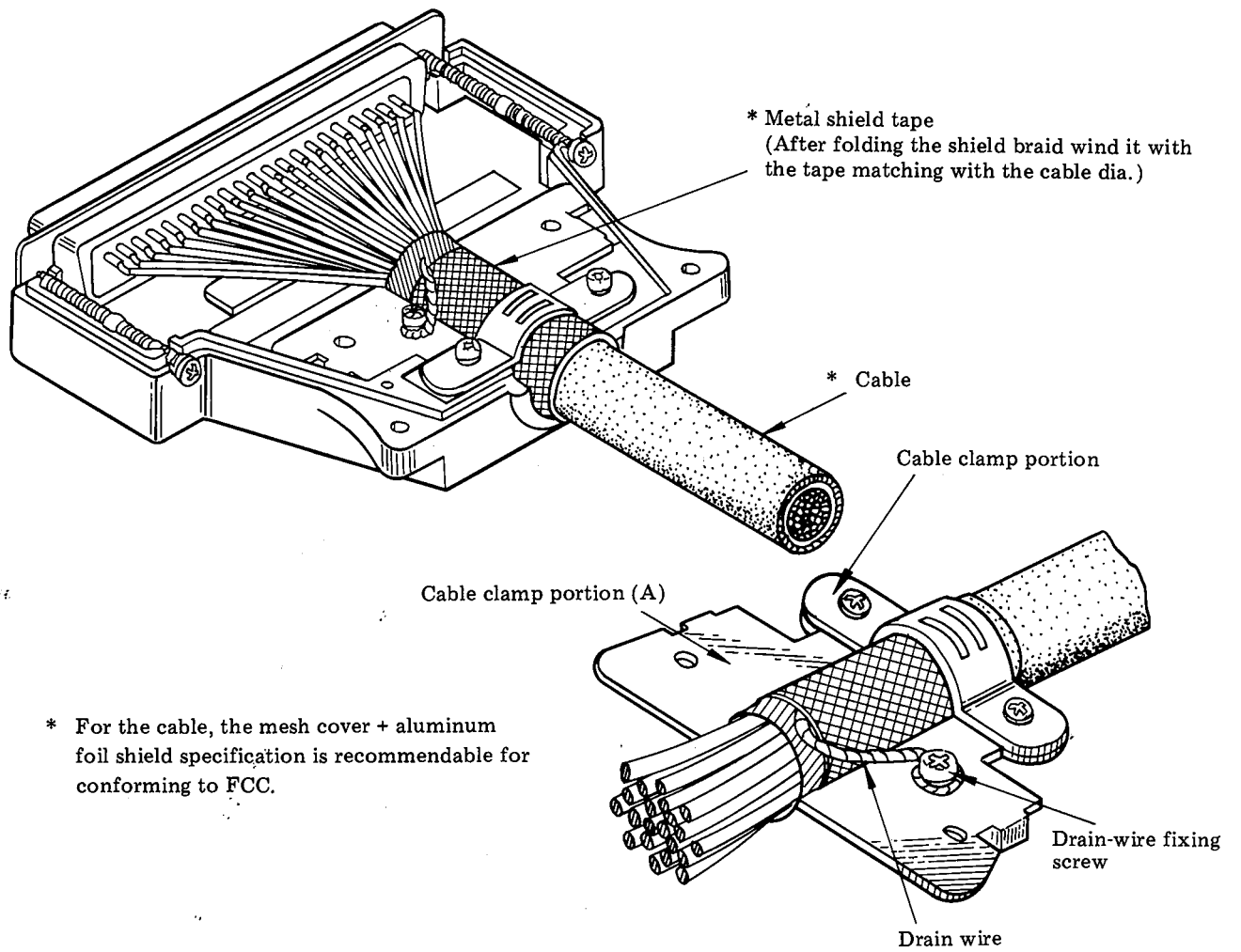
CL211-0274-6
HDC-CTH



Shielding Characteristics



Metalized Plastic Shell Assembling Method



EMI Test Method

