

SHINDENGEN

General Purpose Rectifiers

Single

S2V60

600V 1.7A

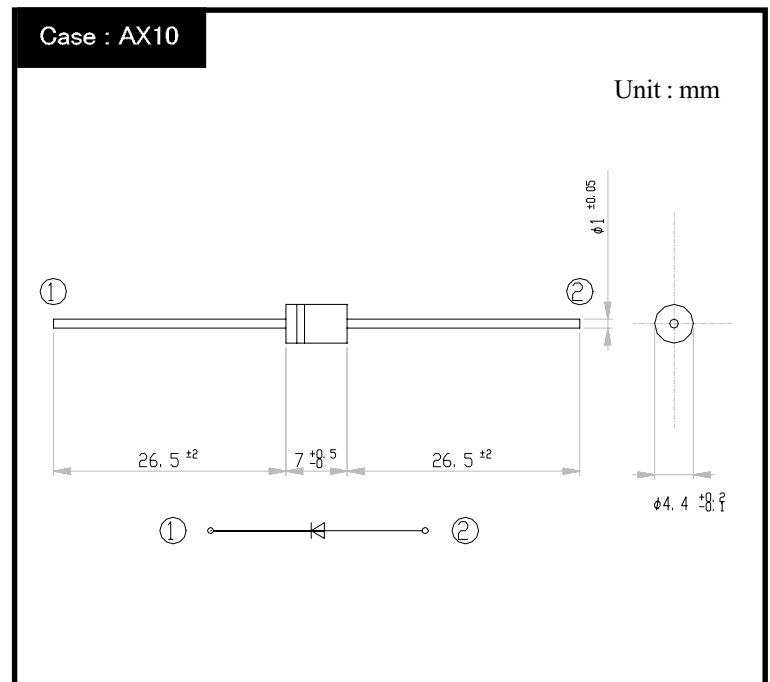
FEATURES

- High voltage
- High reliability with superior moisture resistance
- Applicable to Automatic Insertion

APPLICATION

- Conventional Rectification
- Power source(Power Supply)
- Home Appliances, Office Equipment
- Telecommunication, Factory Automation

OUTLINE DIMENSIONS



RATINGS

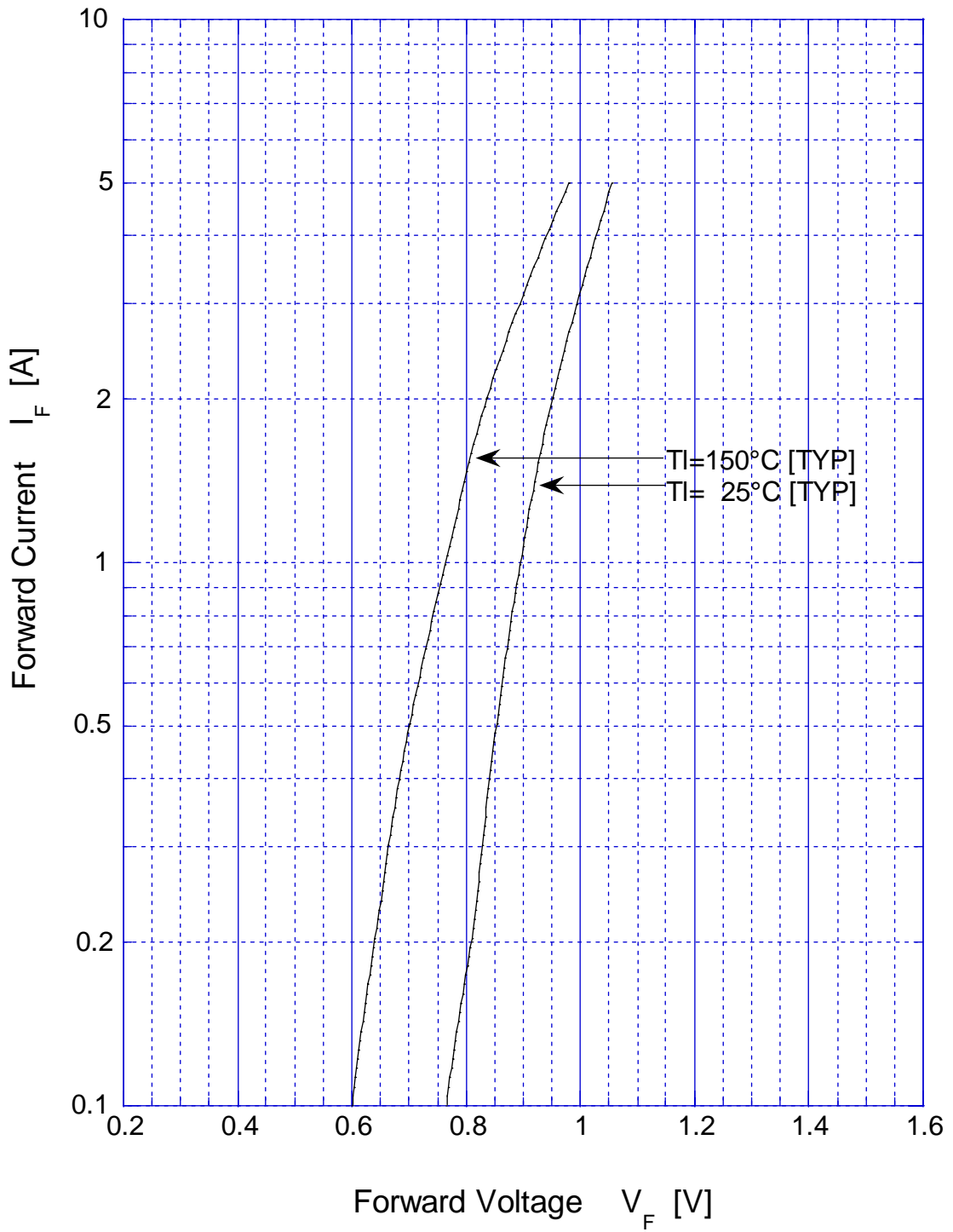
● Absolute Maximum Ratings (If not specified Tl=25°C)

Item	Symbol	Conditions	Ratings	Unit
Storage Temperature	T _{stg}		-55 ~ 150	°C
Operating Junction Temperature	T _j		150	°C
Maximum Reverse Voltage	V _{RM}		600	V
Average Rectified Forward Current	I _O	50Hz sine wave, R-load, T _a =40°C	1.7	A
Peak Surge Forward Current	I _{FSM}	50Hz sine wave, Non-repetitive 1cycle peak value, T _j =25°C	60	A
Current Squared Time	I ² t	1ms ≤ t < 10ms T _j =25°C	20	A ² s

● Electrical Characteristics (If not specified Tl=25°C)

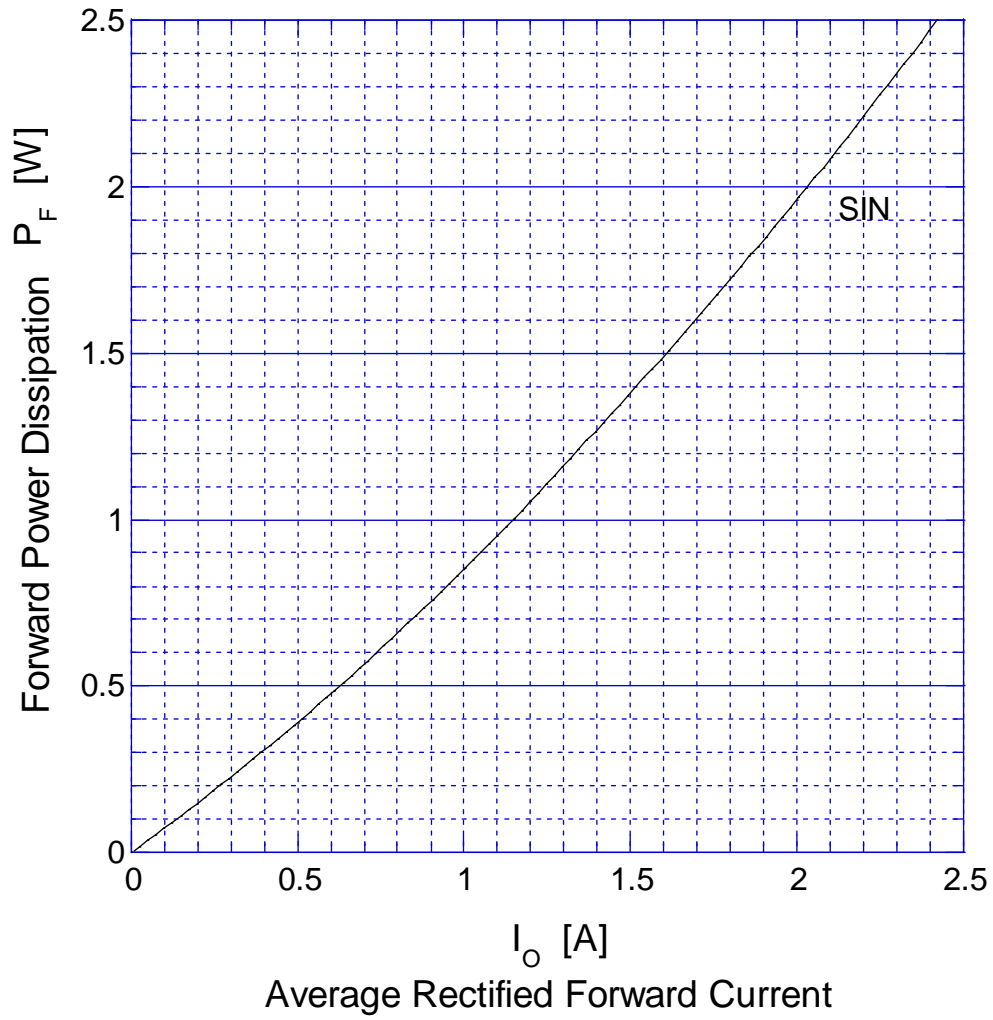
Item	Symbol	Conditions	Ratings	Unit
Forward Voltage	V _F	I _F =1.7A, Pulse measurement	Max.1.05	V
Reverse Current	I _R	V _R =V _{RM} , Pulse measurement	Max.10	μA
Thermal Resistance	θ _{j-l}	junction to lead	Max.8	°C/W

S2V Forward Voltage



S2V

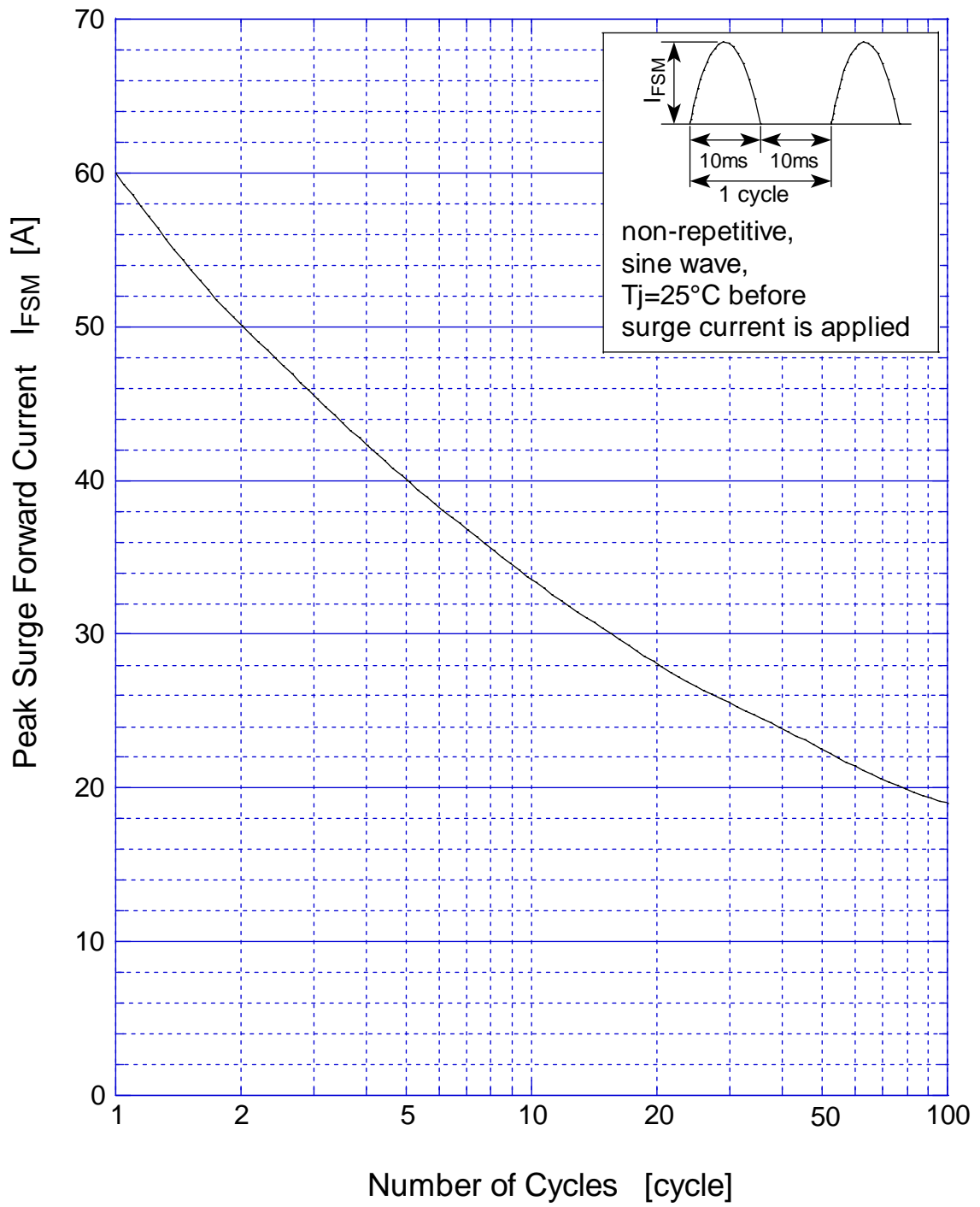
Forward Power Dissipation



$T_j = 150^\circ\text{C}$

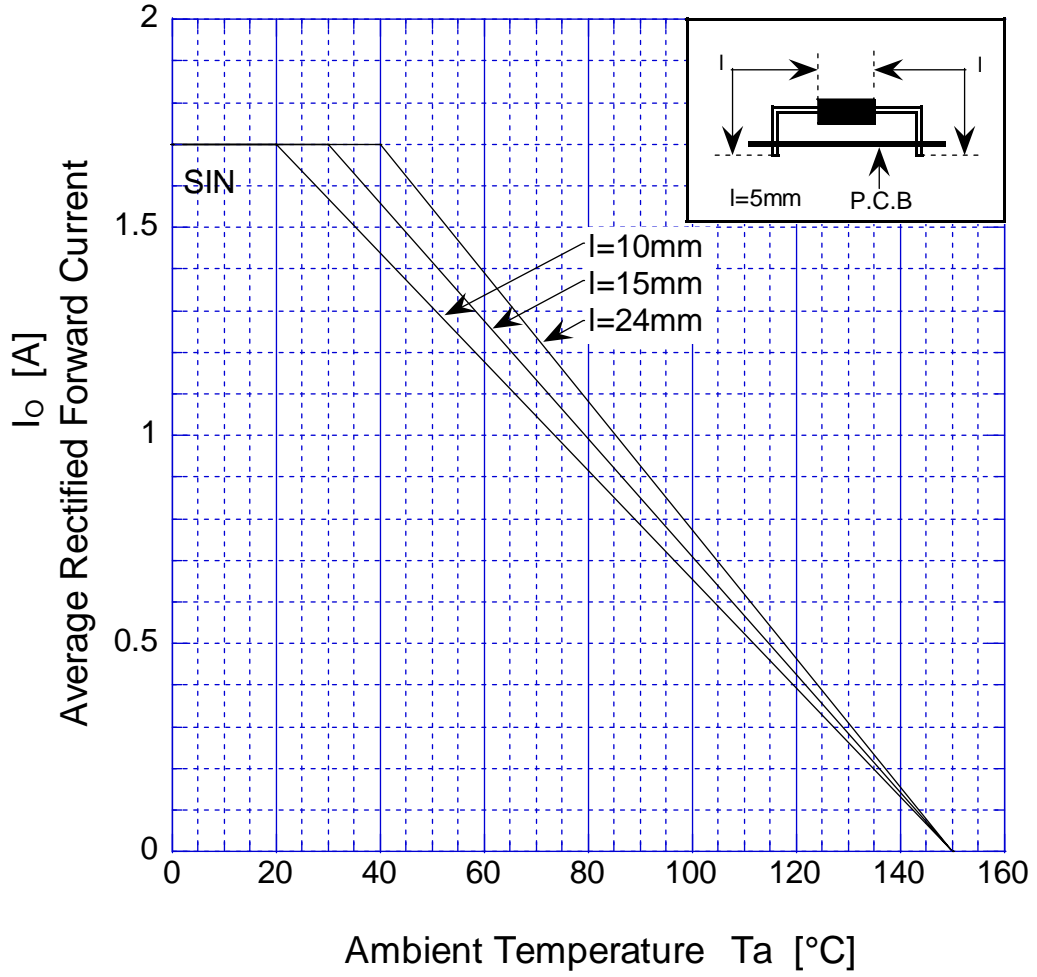
S2V

Peak Surge Forward Capability



S2V

Derating Curve



$$V_R = V_{RM}$$