

MT5260P-UG

Features

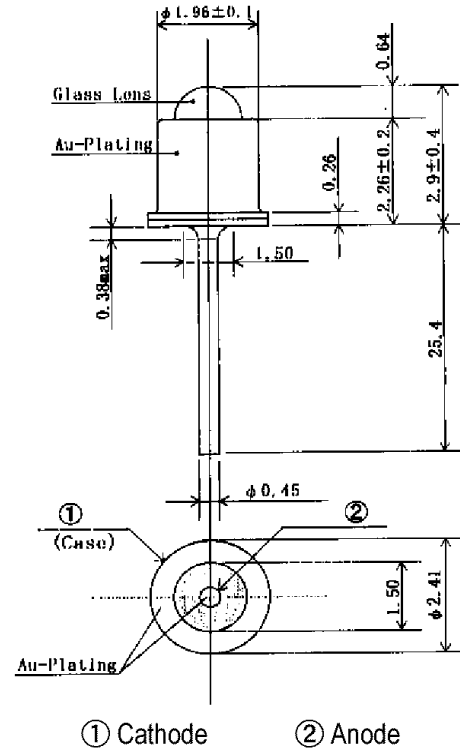
Narrow Beam Angle
Compact Package

Applications

Optical Switches
Edge Sensing

Maximum Ratings (Ta=25°C)

Characteristic	Symbol	Max.	Test Condition	Unit
Forward Current	I _F	30	-	mA
Pulsed Forward Current	I _{FP}	.30	tw=10μ S, T=10mS	A
Reverse Voltage	V _R	5	-	V
Power Dissipation	P _D	120.00	-	mW
Operating Temperature	T _{opr}	-20~+85	-	°C
Storage Temperature	T _{stg}	-30 ~100	-	°C
Junction Temperature	T _j	100	-	°C
Soldering Temperature	T _{sol}	260	for 5 sec. max	°C



Opto-Electrical Characteristics (Ta=25°C)

Characteristic	Symbol	Test Condition	Min	Typ	Max	Unit
Forward Voltage	V _F	I _F =20mA	-	3.50	4.00	V
Reverse Current	I _R	V _R =5V	-	-	100	μA
Power Output	PO	I _F =20mA	-	.60	-	mW
Half Intensity Beam Angle	θ	-	-	± 3°	-	deg.
Peak Wavelength	λ _p	I _F =20mA	-	520	-	nm
Dominant Wavelength	λ _d	I _F =20mA	-	525	-	nm
Spectral Line Half Width	Δλ	I _F =20mA	-	38	-	nm

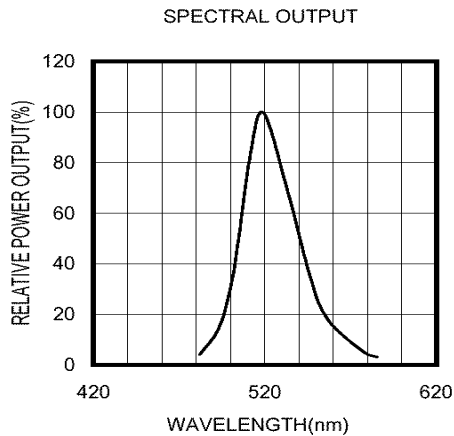
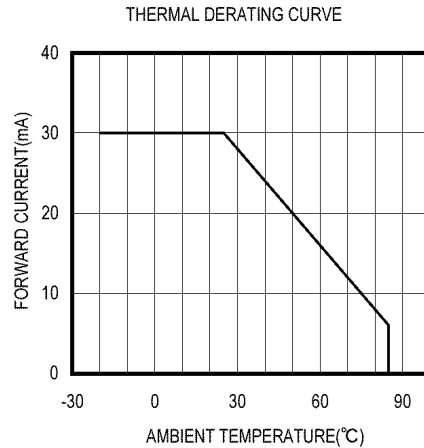
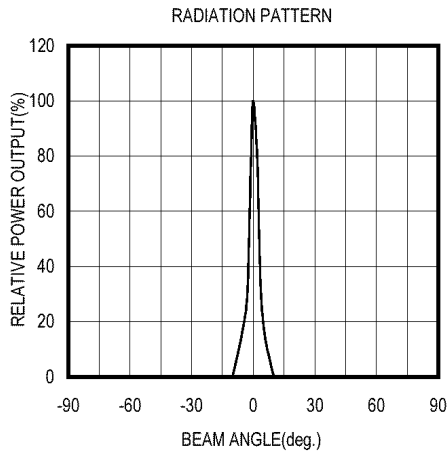
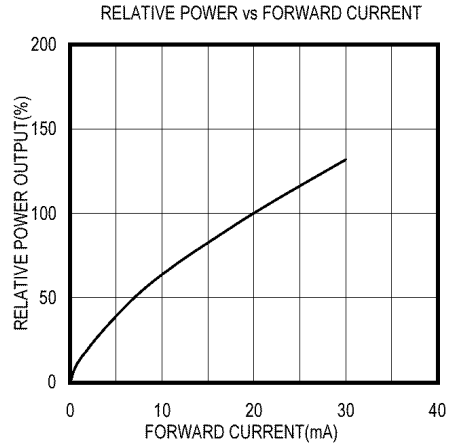
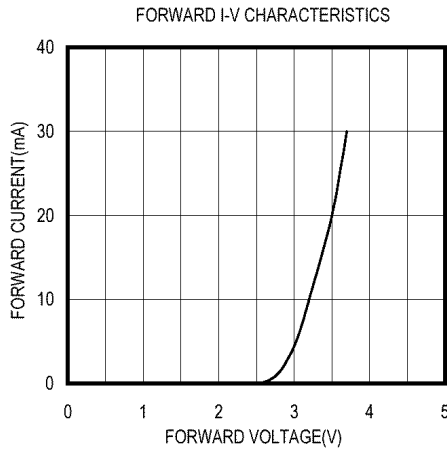
Company Headquarters

120 Broadway
Menands, New York 12204
Toll Free: 800.984.5337
Fax: 518.432.7454

West Coast Sales Office

100 Oceangate Blvd. #1200
Long Beach, CA 90802
Toll Free: 800.984.5337
Fax: 562.628.5572

MT5260P-UG Graphs



Company Headquarters
 120 Broadway
 Menands, New York 12204
 Toll Free: 800.984.5337
 Fax: 518.432.7454

West Coast Sales Office
 100 Oceangate Blvd. #1200
 Long Beach, CA 90802
 Toll Free: 800.984.5337
 Fax: 562.628.5572