

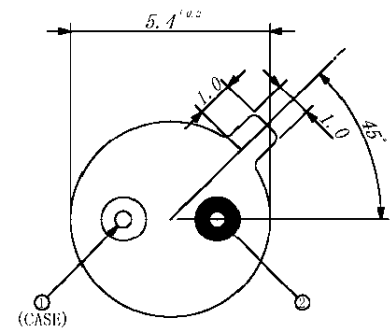
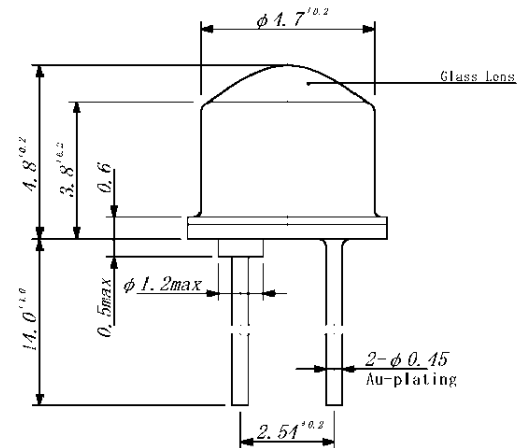
## MT5050N2-UG

### Features

Blue-Green Color  
High Output Power  
High Reliability  
Narrow Beam Angle

### Applications

Color Sensor  
Bar Code Reader  
Paper Sensor



① Cathode      ② Anode

### Maximum Ratings (Ta=25°C)

Characteristic	Symbol	Max.	Test Condition	Unit
Forward Current	I <sub>F</sub>	30	-	mA
Pulsed Forward Current	I <sub>FP</sub>	.30	tw=10μ S, T=10mS	A
Reverse Voltage	V <sub>R</sub>	5	-	V
Power Dissipation	P <sub>d</sub>	120.00	-	mW
Operating Temperature	T <sub>opr</sub>	-20~+85	-	°C
Storage Temperature	T <sub>stg</sub>	-30 ~+100	-	°C
Junction Temperature	T <sub>j</sub>	100	-	°C
Soldering Temperature	T <sub>sol</sub>	260	for 5 sec. max	°C

### Opto-Electrical Characteristics (Ta=25°C)

Characteristic	Symbol	Test Condition	Min	Typ	Max	Unit
Forward Voltage	V <sub>F</sub>	I <sub>F</sub> =20mA	-	3.40	4.00	V
Reverse Current	I <sub>R</sub>	V <sub>R</sub> =5V	-	-	100	μA
Power Output	PO	I <sub>F</sub> =20mA	-	.80	-	mW
Half Intensity Beam Angle	θ	-	-	± 4°	-	deg.
Peak Wavelength	λ <sub>p</sub>	I <sub>F</sub> =20mA	-	500	-	nm
Dominant Wavelength	λ <sub>d</sub>	I <sub>F</sub> =20mA	-	505	-	nm
Spectral Line Half Width	Δλ	I <sub>F</sub> =20mA	-	35	-	nm

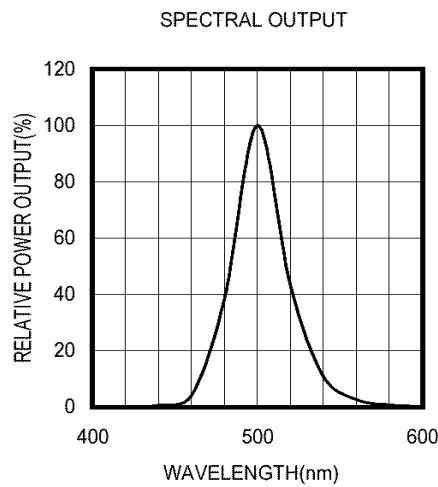
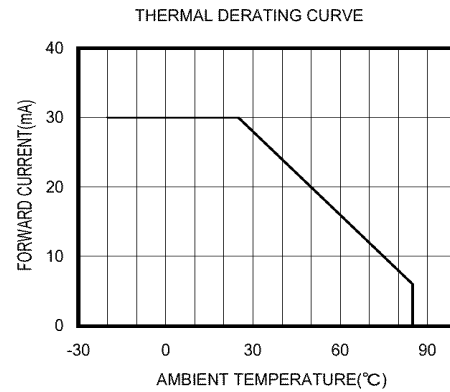
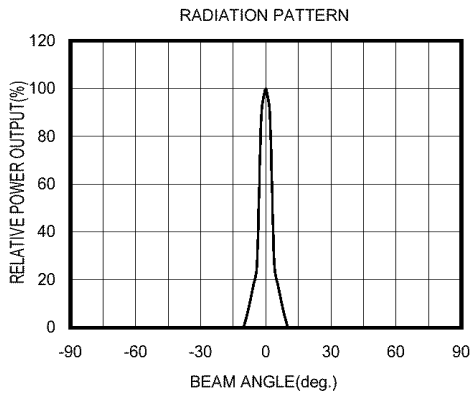
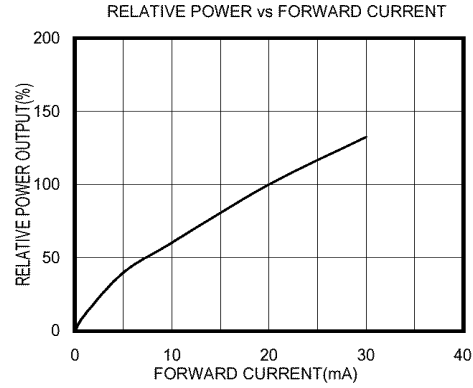
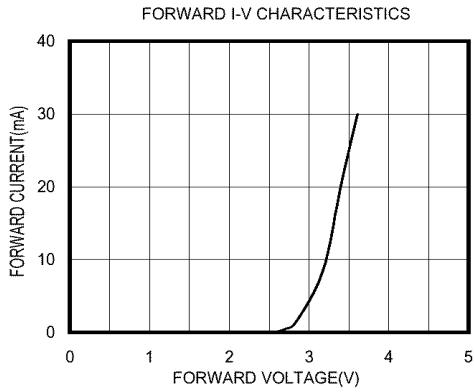
### Company Headquarters

120 Broadway  
Menands, New York 12204  
Toll Free: 800.984.5337  
Fax: 518.432.7454

### West Coast Sales Office

100 Oceangate Blvd. #1200  
Long Beach, CA 90802  
Toll Free: 800.984.5337  
Fax: 562.628.5572

## MT5050N2-UG Graphs



**Company Headquarters**  
 120 Broadway  
 Menands, New York 12204  
 Toll Free: 800.984.5337  
 Fax: 518.432.7454

**West Coast Sales Office**  
 100 Oceangate Blvd. #1200  
 Long Beach, CA 90802  
 Toll Free: 800.984.5337  
 Fax: 562.628.5572