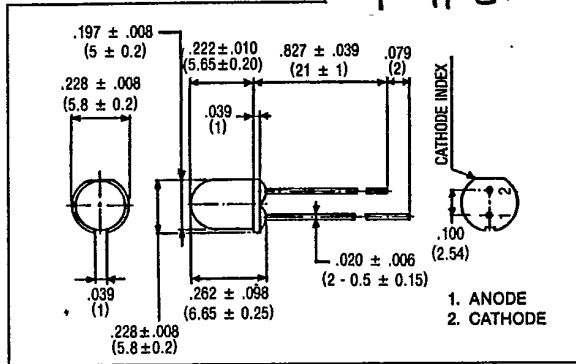


# BACKLIGHTING LED LAMPS

## FEATURES

- All plastic mold type, transparent lens.
- Wide radiation pattern-suitable for backlighting.
- Half angle =  $\pm 65$  deg. (Typ.) (limits for 50% of  $I_v$ )
- Recommended forward current:  
 $I_F = 15 \sim 20$ mA (DC)
- Fast response time, capable of pulse operation.



## MAXIMUM RATINGS (Ta = 25°C)

PART NO.	FORWARD CURRENT (I <sub>F</sub> ) (mA)	REVERSE VOLTAGE (V <sub>R</sub> ) (V)	POWER DISSIPATION (P <sub>D</sub> ) (mW)	OPERATING TEMPERATURE (T <sub>opr</sub> ) (°C)	STORAGE TEMPERATURE (T <sub>stg</sub> ) (°C)
MT263-HR	25	4	70	-20~75	-30~100
MT263-O	25	4	70	-20~75	-30~100
MT263-Y	25	4	70	-20~75	-30~100
MT263-G	25	4	70	-20~75	-30~100

## OPTO-ELECTRICAL CHARACTERISTICS (Ta = 25°C)

PART NO.	MATERIAL	LENS COLOR	VIEWING ANGLE	LUMINOUS INTENSITY (mcd)				FORWARD VOLTAGE (V)			REVERSE CURRENT		PEAK WAVELENGTH (nm)	SPEC. LINE HALF WIDTH (nm)
				typ.	min.	typ.	at mA	typ.	max.	at mA	$\mu$ A	V <sub>r</sub>		
MT263-HR	GaAsP/GaP	Red/Clear	130°	1.8	7.0	15	2.1	2.8	20	100	4	635	40	
MT263-O	GaAsP/GaP	Orange/Clear	130°	1.6	6.5	15	2.1	2.8	20	100	4	610	35	
MT263-Y	GaAsP/GaP	Yellow/Clear	130°	1.8	7.0	15	2.1	2.8	20	100	4	585	32	
MT263-G	GaP/GaP	Green/Clear	130°	2.0	8.0	15	2.1	2.8	20	100	4	565	25	