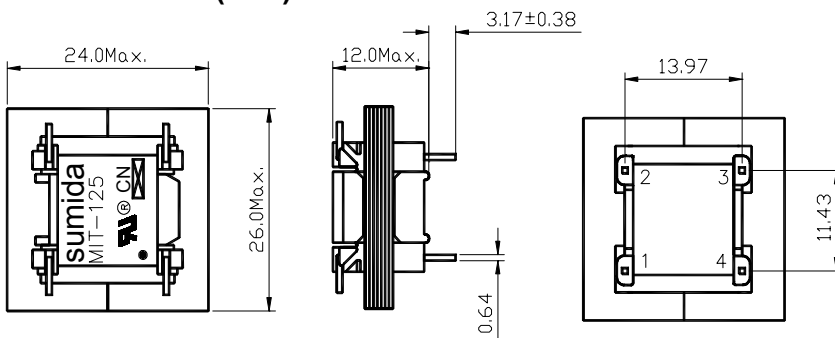
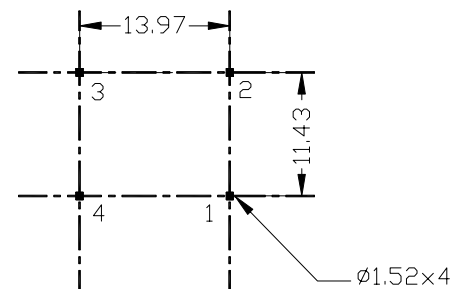
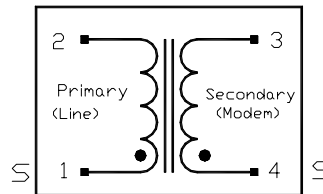


Type: MT2412
◆ Product Description

- 26.0×24.0mm Max.(L×W),12.0mm Max. Height.
- Operating frequency: 4MHz Max.

◆ Feature

- International safety standard approved for reinforced isolation.
- Silicone Steel is used.
- Ideally used in set-top box,FAX,MODEM.
- V.92(56kbps) to V.32bis(14.4kbps).
- RoHS Compliance.

◆ Dimensions (mm)

◆ Land Pattern (mm)

◆ Schematics(Bottom)


“S”is winding start.

◆ Specification(Part Number:MIT-125)

Parameters	Specification	Condition
Impedance	600 Ω	Reflected on primary, with a load on secondary
	374 Ω	
Dc resistance (1-2)	108 Ω ± 10 Ω Within	Ambient temperature 20°C
Dc resistance (4-3)	120 Ω ± 12 Ω Within	Ambient temperature 20°C
Turns ratio (1-2):(4-3)	1:1 (±2%) Within	1kHz,1.0Vrms
Insertion loss	2.25dB Max	1kHz,-10dBm
Return loss	20dB Min.	1kHz,-10dBm
Total harmonic distortion	-82dB TYP.	600Hz,-10dBm
Dielectric strength (1-2) to (4-3)	AC 1250Vrms	50Hz /60Hz, 0.2mA 2Sec