

MT2363B-UG

Features

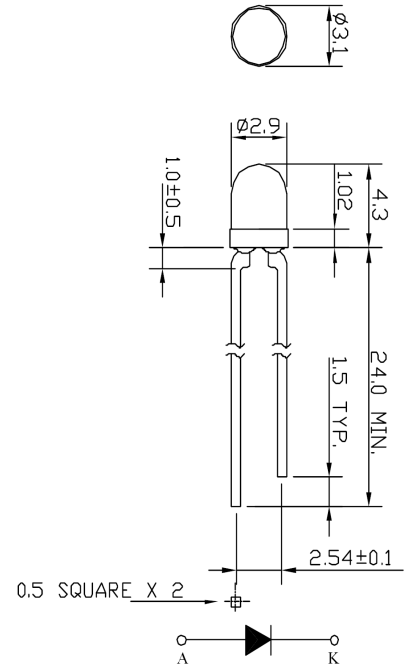
High Intensity
 Reliable Rugged
 Low Current Requirements
 IC Compatible

Maximum Ratings (Ta=25°C)

| Characteristic | Symbol | Max. | Unit |
|-----------------------|------------------|----------------|------|
| Forward Current | I _F | 20 | mA |
| Reverse Voltage | V _R | 5 | V |
| Power Dissipation | P _D | 80.00 | mW |
| Operating Temperature | T _{opr} | -25 ~ +85 | °C |
| Storage Temperature | T _{stg} | -40 ~ +100 | °C |
| Soldering Temperature | T _{sol} | 260 | °C |
| Soldering Time | - | for 5 sec. max | - |

Opto-Electrical Characteristics (Ta=25°C)

| Characteristic | Symbol | Test Condition | Min | Typ | Max | Unit |
|--------------------------|-------------------|----------------------|---------|---------|------|------|
| Forward Voltage | V _F | I _F =20mA | - | 3.20 | 4.00 | V |
| Reverse Current | I _R | V _R =5V | - | - | 50 | μA |
| Luminous Intensity | I _v | I _F =20mA | 1700.00 | 2800.00 | - | mcd |
| Viewing Angle | 2θ ^{1/2} | - | - | 40° | - | deg. |
| Peak Wavelength | λ _p | I _F =20mA | - | 520 | - | nm |
| Dominant Wavelength | λ _d | I _F =20mA | - | 525 | - | nm |
| Spectral Line Half Width | Δλ | I _F =20mA | - | 38 | - | nm |

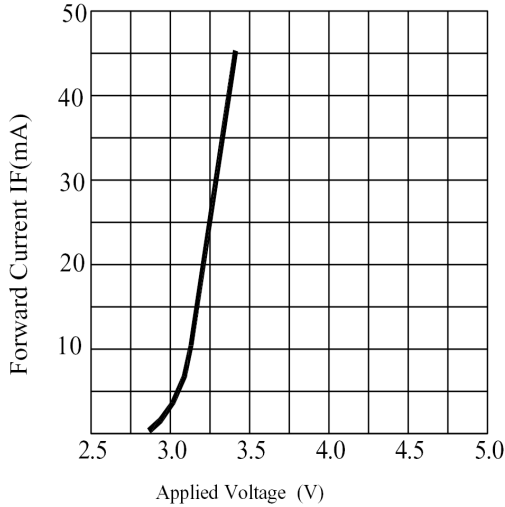


Notes:

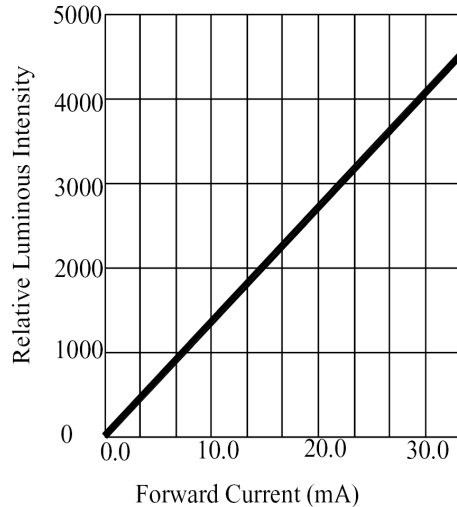
1. All dimensions are in millimeters.
2. Tolerance is ±0.25mm unless otherwise noted.

MT2363B-UG Graphs

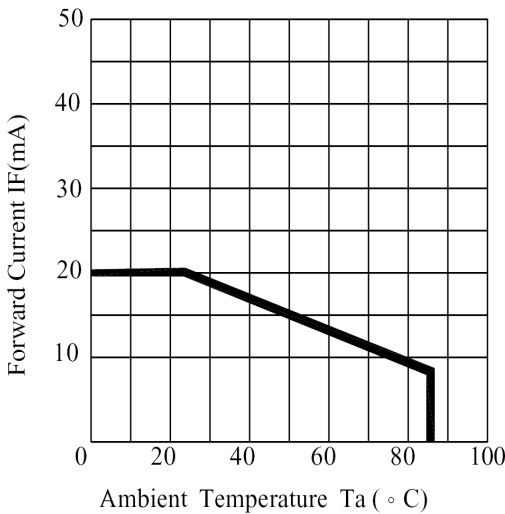
Typical Electrical / Optical Characteristics Curves :



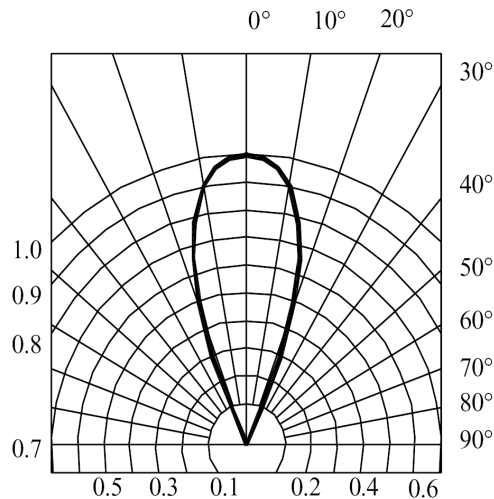
FORWARD CURRENT VS. APPLIED VOLTAGE



FORWARD CURRENT VS. LUMINOUS INTENSITY



AMBIENT TEMPERATURE VS. FORWARD CURRENT



RADIATION DIAGRAM