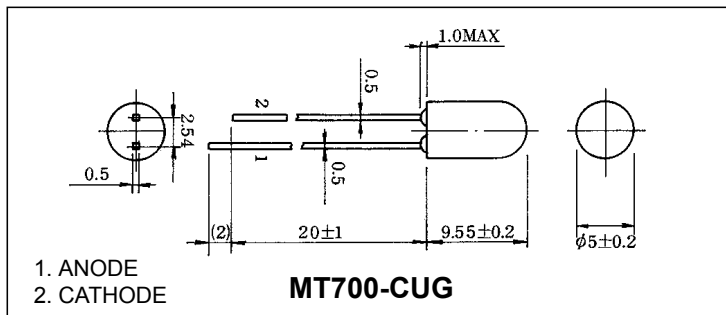
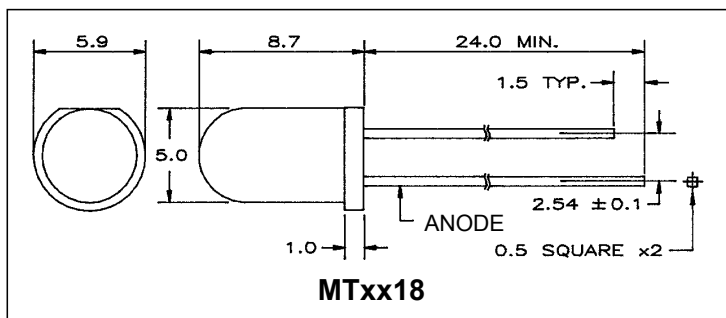


# Ultra Bright T-1<sup>3</sup>/<sub>4</sub> LED Lamps

## FEATURES

- Excellent on/off contrasts
- Low drive current
- High intensity green and InGaAlP yellow
- Choice of lens color
- Can be packaged on tape in a reel or in a box



## MAXIMUM RATINGS (Ta = 25°C)

PART NO.	FORWARD CURRENT (I <sub>F</sub> ) (mA)	REVERSE VOLTAGE (V <sub>R</sub> ) (V)	POWER DISSIPATION (P <sub>D</sub> ) (mW)	OPERATING TEMPERATURE (T <sub>opr</sub> ) (°C)	STORAGE TEMPERATURE (T <sub>stg</sub> ) (°C)
MT2118-CUG	30	5.0	85	-25~+85	-25~+100
MT2318-CUG	30	5.0	85	-25~+85	-25~+100
MT2118-AUG	30	5.0	85	-25~+85	-25~+100
MT2318-AUG	30	5.0	85	-25~+85	-25~+100
MT3118A-UY	30	4.0	85	-25~+85	-25~+100
MT3218A-UY	30	4.0	85	-25~+85	-25~+100
MT3318A-UY	30	4.0	85	-25~+85	-25~+100
MT3418A-UY	30	4.0	85	-25~+85	-25~+100
MT700-CUG	40	4.0	120	-30~+85	-40~+100

## OPTO-ELECTRICAL CHARACTERISTICS (Ta = 25°C)

PART NO.	MATERIAL	LENS COLOR	VIEWING ANGLE typ.	LUMINOUS INTENSITY (mcd)			FORWARD VOLTAGE (V)			REVERSE CURRENT		PEAK WAVE LENGTH
				min.	typ.	@mA	typ.	max.	@mA	μA	Vr	nm
MT2118-CUG	GaP	Green Diff	40°	36	80	20	2.1	3.0	20	100	5	567
MT2318-CUG	GaP	Water Clear	30°	200	400	20	2.1	3.0	20	100	5	567
MT2118-AUG	GaP	Green Diff	41°	58	95	20	2.1	3.0	20	100	5	567
MT2318-AUG	GaP	Water Clear	19°	300	500	20	2.1	3.0	20	100	5	567
MT3118A-UY	InGaAlP	Yellow Diff	41°	--	150	20	2.0	2.5	20	100	4	590
MT3218A-UY	InGaAlP	White Diff	41°	--	125	20	2.0	2.5	20	100	4	590
MT3318A-UY	InGaAlP	Water Clear	19°	--	815	20	2.0	2.5	20	100	4	590
MT3418A-UY	InGaAlP	Yellow Clear	19°	--	725	20	2.0	2.5	20	100	4	590
MT700-CUG	GaP	Water Clear	20°	270	700	20	2.15	2.5	20	100	4	567



120 Broadway • Menands, New York 12204  
Toll Free: (800) 98-4LEDS • Fax: (518) 432-7454

For up-to-date product info visit our web site at [www.marktechopto.com](http://www.marktechopto.com)

All specifications subject to change.