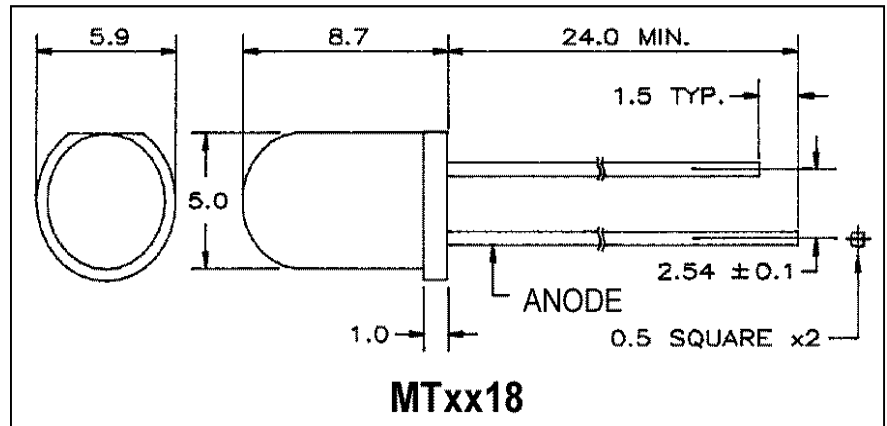


Features

- Low drive current
- Choice of lens color
- Can be packaged on tape in a reel or in a box



Series Line-Up

Part Number	Color	Material
MT2118-AUG	Yellow Green	GaP
MT2318-AUG	Yellow Green	GaP
MT2318-CUG	Yellow Green	GaP
MT3118A-UY	Ultra Bright Yellow	InGaAlP
MT3218A-UY	Ultra Bright Yellow	InGaAlP
MT3318A-UY	Ultra Bright Yellow	InGaAlP
MT3418A-UY	Ultra Bright Yellow	InGaAlP

Maximum Ratings (Ta=25°C)

Part Number	Forward Current I _F	Reverse Voltage V _R	Power Dissipation P _D	Operating Temperature T _{opr}	Storage Temperature T _{stg}
MT2118-AUG	30	5	70.00	-25 ~ +85	-25 ~ +100
MT2318-AUG	30	5	85.00	-25 ~ +85	-25 ~ +100
MT2318-CUG	30	5	85.00	-25 ~ +85	-25 ~ +100
MT3118A-UY	30	4	85.00	-25 ~ +85	-25 ~ +100
MT3218A-UY	30	4	85.00	-25 ~ +85	-25 ~ +100
MT3318A-UY	30	4	85.00	-25 ~ +85	-25 ~ +100
MT3418A-UY	30	4	85.00	-25 ~ +85	-25 ~ +100
Unit	mA	V	mW	°C	°C

Company Headquarters
 120 Broadway
 Menands, New York 12204
 Toll Free: 800.984.5337
 Fax: 518.432.7454

West Coast Sales Office
 100 Oceangate Blvd. #1200
 Long Beach, CA 90802
 Toll Free: 800.984.5337
 Fax: 562.628.5572

Electrical and Optical Characteristics (Ta=25°C)

Part Number	PWL nm λP	Material	View Angle 2θ _{1/2}	Luminous Intensity I _v				Forward Voltage V _F				Rev Current I _R		
				min.	typ.	max.	IF@	min.	typ.	max.	IF@	max.	VR@	
MT2118-AUG	567	GaP	41°	58.00	95.00	-	20mA	-	2.10	3.00	20mA	100	5V	
MT2118-CUG	567	GaP	40°	36.00	80.00	-	20mA	-	2.10	3.00	20mA	100	5V	
MT2318-AUG	567	GaP	19°	300.00	500.00	-	20mA	-	2.10	3.00	20mA	100	5V	
MT2318-CUG	567	GaP	30°	200.00	400.00	-	20mA	-	2.10	3.00	20mA	100	5V	
MT3118A-UY	590	InGaAIP	41°	-	150.00	-	20mA	-	2.00	2.50	20mA	100	4V	
MT3218A-UY	590	InGaAIP	41°	-	125.00	-	20mA	-	2.00	2.50	20mA	100	4V	
MT3318A-UY	590	InGaAIP	19°	-	815.00	-	20mA	-	2.00	2.50	20mA	100	4V	
MT3418A-UY	590	InGaAIP	19°	-	725.00	-	20mA	-	2.00	2.50	20mA	100	4V	
-	nm	-	deg	mcd				-	V			-	mA	-

Company Headquarters
 120 Broadway
 Menands, New York 12204
 Toll Free: 800.984.5337
 Fax: 518.432.7454

West Coast Sales Office
 100 Oeangate Blvd. #1200
 Long Beach, CA 90802
 Toll Free: 800.984.5337
 Fax: 562.628.5572