

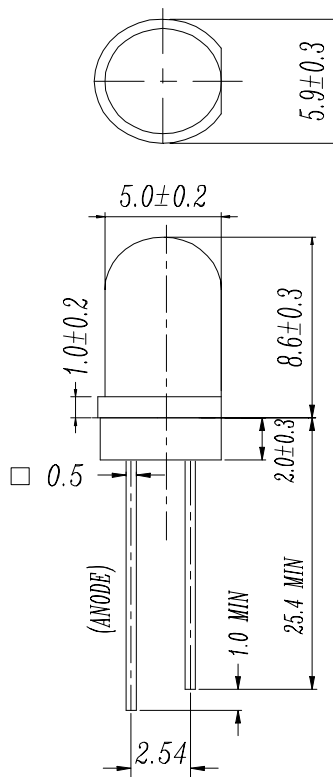


EVERLIGHT ELECTRONICS CO.,LTD.

Device Number : DAE-217-450 REV: 1.1

PART NO. : A2173B/USOD/S530-A2/C55 ECN : _____ Page: 1/5

■ Package Dimensions:



■ Notes:

- 1.All dimensions are in millimeters, tolerance is 0.25mm except being specified
- 2.Lead spacing is measured where the lead emerges from the package

LED PART NO	Chip		Lens Color
	Material	Emitted Color	
333-2USOD/S530-A2/C55	AlGaInP	Super Sunset Orange	Red Diffused

B89051153,8905075

OFFICE : NO. 25,Lane 76,Sec.3, Chung Yang Rd., Tucheng 236, Taipei, Taiwan, R.O.C.

TEL : 886-2-2267-2000,2267-9936

FAX : 886-2-2267-6244,22676189,22676306

<http://www.everlight.com>



Device Number : DAE-217-450 REV: 1.1

PART NO. : A2173B/USOD/S530-A2/C55 ECN : Page: 2/5

■ Descriptions:

- 1.ARRAY=Plastic Holder+Combination of Lamps
- 2.The array will easily mount the applicable lamps on any panel

■ Features:

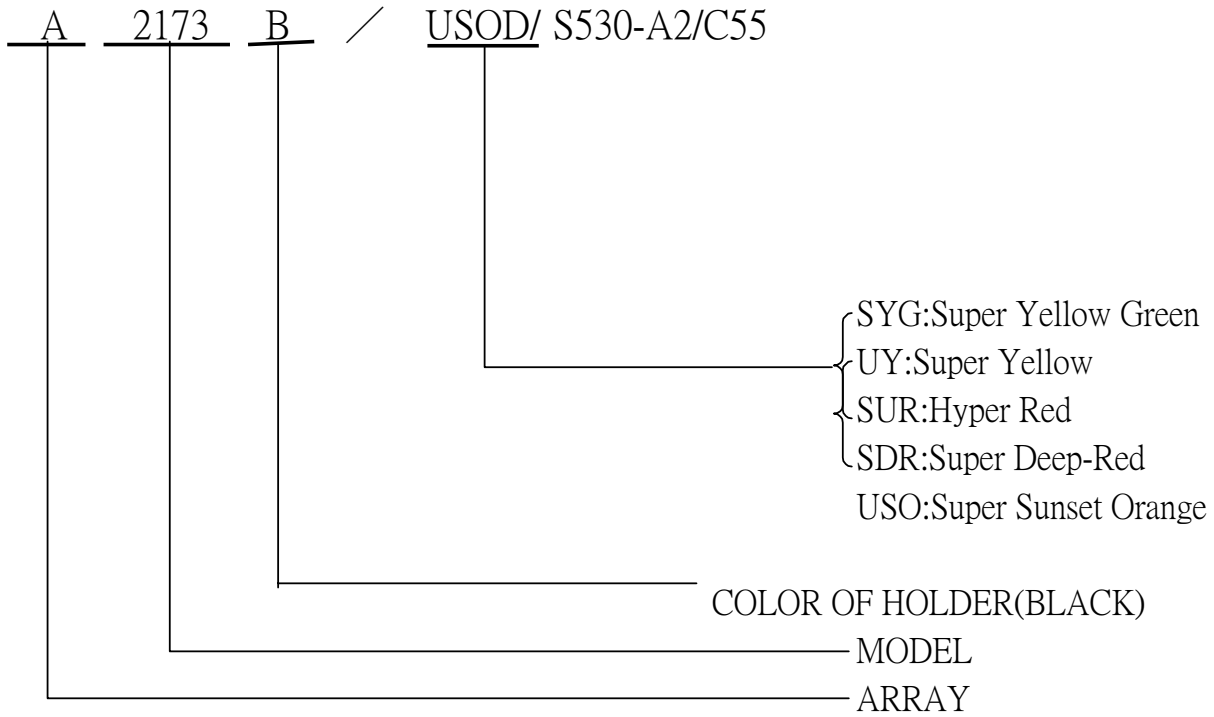
- 1.Low power consumption
- 2.High efficiency and low cost
- 3.Good control and free combinations on the colors of LED lamps
- 5.Good lock and easy to assembly
- 6.Stackable and easy to assembly
- 7.Stackable vertically and easy to assembly
- 8.Versatile mounting on PCB or panel
- 9.Stackable horizontally and easy to assembly

■ Applications:

- 1.Used as indicators of indicating the degrees, functions, positions etc, in electronic instruments.



■ LED LAMP ARRAYS SELECTION GUIDE:





EVERLIGHT ELECTRONICS CO.,LTD.

Device Number : DAE-217-450 REV: 1.1

PART NO. : A2173B/USOD/S530-A2/C55 ECN : _____ Page: 4/5

Absolute Maximum Ratings at Ta= 25°C

Parameter	Symbol	Rating	Unit
Forward Current	I _F	25	mA
Operating Temperature	T _{opr}	-40 to +85	°C
Storage Temperature	T _{stg}	-40 to +100	°C
Soldering Temperature	T _{sol}	260 ± 5	°C
Electrostatic Discharge	ESD	2000	V
Power Dissipation	P _d	60	mW
Peak Forward Current(Duty 1/10 @ 1KHz)	I _F (Peak)	160	mA
Reverse Voltage	V _R	5	V

Electronic Optical Characteristics :

Parameter	Symbol	Min.	Typ.	Max.	Unit	Condition
Luminous Intensity	I _v	63	100	/	mcd	I _F = 20 mA
Viewing Angle	2θ 1/2	/	25	/	deg	I _F = 20 mA
Peak Wavelength	λ _p	/	621	/	nm	I _F = 20 mA
Dominant Wavelength	λ _d	/	615	/	nm	I _F = 20 mA
Spectrum Radiation Bandwidth	Δλ	/	18	/	nm	I _F = 20 mA
Forward Voltage	V _F	/	2.0	2.4	V	I _F = 20 mA
Reverse Current	I _R	/	/	10	μA	V _R = 5 V



■ Typical Electro-Optical Characteristic Curves

