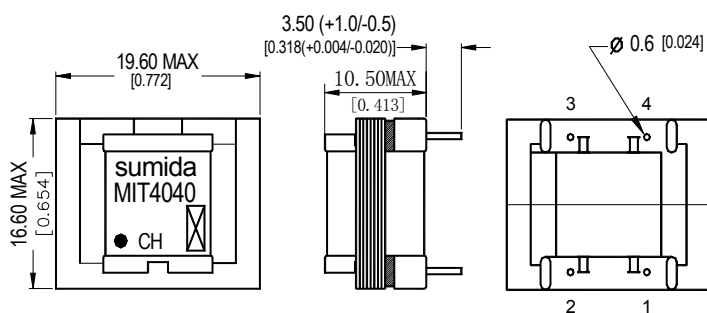
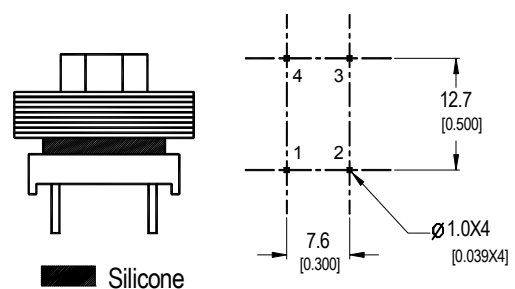
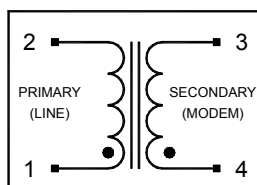


Type: MT1910
◆ Product Description

- 19.6×16.6mm Max.(L×W),10.5mm Max. Height.
- Operating frequency: 4MHz Max.


◆ Feature

- International safety standard approved for reinforced isolation.
- Ideally used in set-top box,FAX,MODEM.
- V.92(56kbps) to V.32bis(14.4kbps).
- RoHS Compliance.

◆ Dimensions (mm)

◆ Land Pattern (mm)

◆ Schematics(Bottom)

◆ Specification(MIT4040)

PARAMETERS	CONDITIONS	MIN.	TYP.	MAX.	UNITS
Impedance	Reflected on primary	—	600	—	Ohms
	With Load on Secondary	—	530	—	Ohms
Total Harmonic Distortion	@600Hz, -10dBm	—	-80	—	
Insertion Loss	Per IEEE method;@1000Hz	—	—	1.00	dB
Dielectric Rating	1 min	1500	—	—	Vrms
	Trip Leakage Current	—	—	200	Ua
DC Resistance @20°C ±10%	Primary Winding	—	37	—	Ohms
	Secondary Winding	—	37	—	Ohms
DC Current in Primary	—	—	0	—	mAdc
Turns Ratio	P Primary to secondary; ±2%	—	1:1	—	—