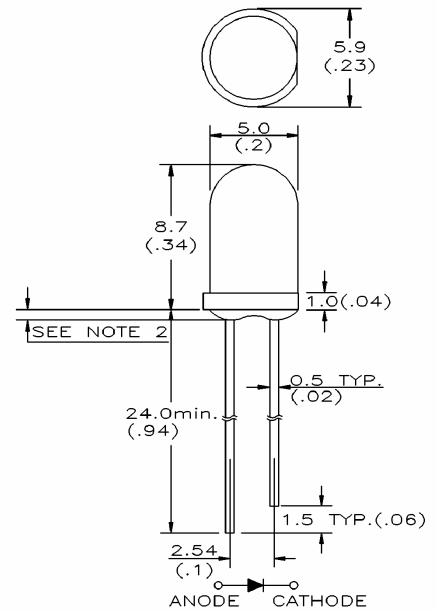


MT1318-URP22

Features

High Intensity
 Low Current Requirements
 IC Compatible
 5mm Package



Maximum Ratings (Ta=25°C)

| Characteristic | Symbol | Max. | Unit |
|-----------------------|------------------|----------------|------|
| Forward Current | I _F | 50 | mA |
| Reverse Voltage | V _R | 4 | V |
| Power Dissipation | P _D | 140.00 | mW |
| Operating Temperature | T _{opr} | -25 ~ +85 | °C |
| Storage Temperature | T _{stg} | -40 ~ +100 | °C |
| Soldering Temperature | T _{sol} | 260 | °C |
| Soldering Time | - | for 5 sec. max | - |

Notes :

1. All dimensions are in millimeters (inches).
2. Protruded resin under flange is 1.0mm (.04")max.
3. Tolerance is ±0.25mm (0.01")unless otherwise noted.

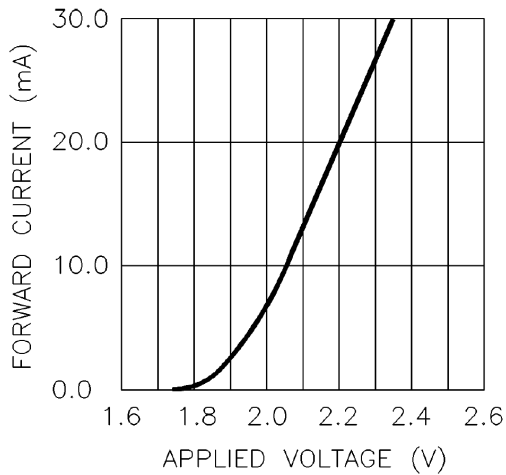
Opto-Electrical Characteristics (Ta=25°C)

| Characteristic | Symbol | Test Condition | Min | Typ | Max | Unit |
|--------------------------|-------------------|----------------------|---------|---------|------|------|
| Forward Voltage | V _F | I _F =20mA | - | 2.20 | 2.80 | V |
| Reverse Current | I _R | V _R =4V | - | - | 100 | μ A |
| Luminous Intensity | I _v | I _F =20mA | 2500.00 | 4500.00 | - | mcd |
| Viewing Angle | 2θ ^{1/2} | - | - | 30° | - | deg. |
| Peak Wavelength | λ _p | I _F =20mA | - | 642 | - | nm |
| Dominant Wavelength | λ _d | I _F =20mA | - | 630 | - | nm |
| Spectral Line Half Width | Δλ | I _F =20mA | - | 20 | - | nm |

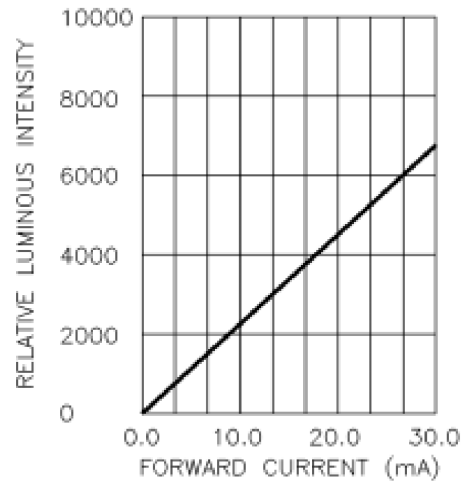
Specifications are subject to change without notice.

MT1318-URP22 Graphs

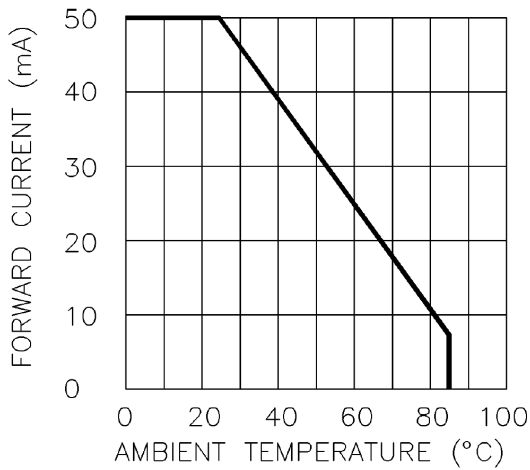
Typical Electrical / Optical Characteristics Curves :



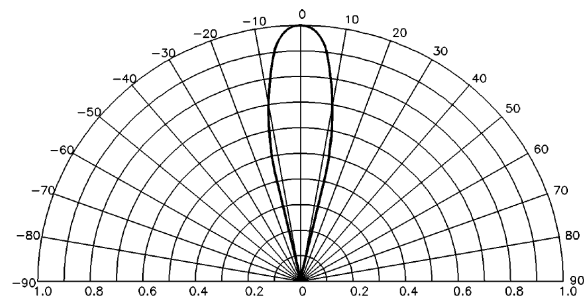
Forward Current vs. Forward Voltage



Forward Current vs. Relative Luminous Intensity



Ambient Temperature vs. Forward Current



Radiation Diagram