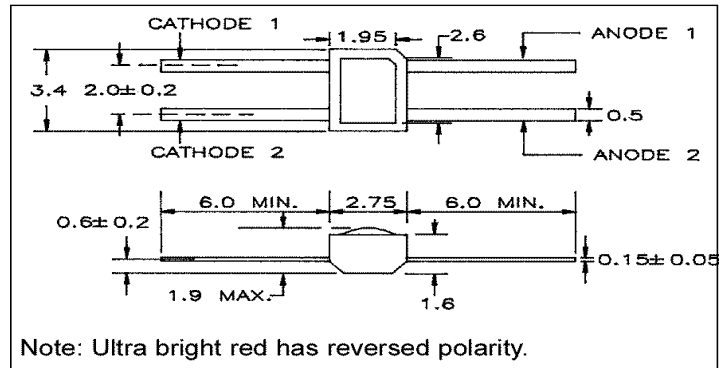


## Features

- All plastic mold type
- Will fit in small space
- Low current operation



## Series Line-Up

Part Number	Color	Material
MT134A-RG	Red	GaP
MT144A-RG	Red	GaP
MT234A-G	Yellow Green	GaP
MT244A-G	Yellow Green	GaP
MT334A-Y	Pure Yellow	GaAsP
MT344A-Y	Pure Yellow	GaAsP
MT434A-HR	High Efficiency Red	GaAsP
MT444A-HR	High Efficiency Red	GaAsP
MT444A-O	High Efficiency Red	GaAsP
MT734A-UR	Super Ultra Bright Red	GaAlAs
MT744A-UR	Super Ultra Bright Red	GaAlAs

## Maximum Ratings (Ta=25°C)

Part Number	Forward Current I <sub>F</sub>	Reverse Voltage V <sub>R</sub>	Power Dissipation P <sub>D</sub>	Operating Temperature T <sub>opr</sub>	Storage Temperature T <sub>stg</sub>
MT134A-RG	30	5	85.00	-25 ~ +85	-25 ~ +100
MT144A-RG	30	5	85.00	-25 ~ +85	-25 ~ +100
MT234A-G	30	5	85.00	-25 ~ +85	-25 ~ +100
MT244A-G	30	5	85.00	-25 ~ +85	-25 ~ +100
MT334A-Y	30	5	85.00	-25 ~ +85	-25 ~ +100
MT344A-Y	30	5	85.00	-25 ~ +85	-25 ~ +100
MT434A-HR	30	5	85.00	-25 ~ +85	-25 ~ +100
MT444A-HR	30	5	85.00	-25 ~ +85	-25 ~ +100
MT444A-O	30	5	85.00	-25 ~ +85	-25 ~ +100
MT734A-UR	30	4	70.00	-25 ~ +85	-25 ~ +100
MT744A-UR	30	4	70.00	-25 ~ +80	-25 ~ +100
Unit	mA	V	mW	°C	°C

**Company Headquarters**  
 120 Broadway  
 Menands, New York 12204  
 Toll Free: 800.984.5337  
 Fax: 518.432.7454

**West Coast Sales Office**  
 100 Oceangate Blvd. #1200  
 Long Beach, CA 90802  
 Toll Free: 800.984.5337  
 Fax: 562.628.5572

## Electrical and Optical Characteristics (Ta=25°C)

Part Number	PWL nm λP	Material	View Angle 2θ <sub>1/2</sub>	Luminous Intensity I <sub>v</sub>				Forward Voltage V <sub>F</sub>				Rev Current I <sub>R</sub>	
				min.	typ.	max.	IF@	min.	typ.	max.	IF@	max.	VR@
MT134A-RG	700	GaP	76°	2.90	4.90	-	20mA	-	2.10	3.00	20mA	100	5V
MT144A-RG	700	GaP	76°	1.90	4.90	-	20mA	-	2.10	3.00	20mA	100	5V
MT234A-G	567	GaP	76°	7.70	12.80	-	20mA	-	2.10	3.00	20mA	100	5V
MT244A-G	567	GaP	76°	7.70	12.80	-	20mA	-	2.10	3.00	20mA	100	5V
MT334A-Y	585	GaAsP	76°	6.40	10.60	-	20mA	-	2.10	3.00	20mA	100	5V
MT344A-Y	585	GaAsP	76°	6.40	10.60	-	20mA	-	2.10	3.00	20mA	100	5V
MT434A-HR	635	GaAsP	76°	8.90	14.90	-	20mA	-	2.10	3.00	20mA	100	5V
MT444A-HR	635	GaAsP	76°	8.90	14.90	-	20mA	-	2.10	3.00	20mA	100	5V
MT444A-O	635	GaAsP	76°	8.90	14.90	-	20mA	-	2.10	3.00	20mA	100	5V
MT734A-UR	660	GaAlAs	76°	35.00	90.00	-	20mA	-	1.90	2.50	20mA	100	4V
MT744A-UR	660	GaAlAs	76°	35.00	90.00	-	20mA	-	1.90	2.50	20mA	100	4V
-	nm	-	deg	mcd				-	V		-	mA	-

### NOTES:

- All Dimensions are in millimeters.
- Tolerance is ±0.25mm unless otherwise stated.
- An Epoxy Meniscus may extend about 1mm down the leads.
- Burr around bottom of epoxy may be around 0.5mm MAX.
- Specifications are subject to change without notice.

**Company Headquarters**  
 120 Broadway  
 Menands, New York 12204  
 Toll Free: 800.984.5337  
 Fax: 518.432.7454

**West Coast Sales Office**  
 100 Oceangate Blvd. #1200  
 Long Beach, CA 90802  
 Toll Free: 800.984.5337  
 Fax: 562.628.5572