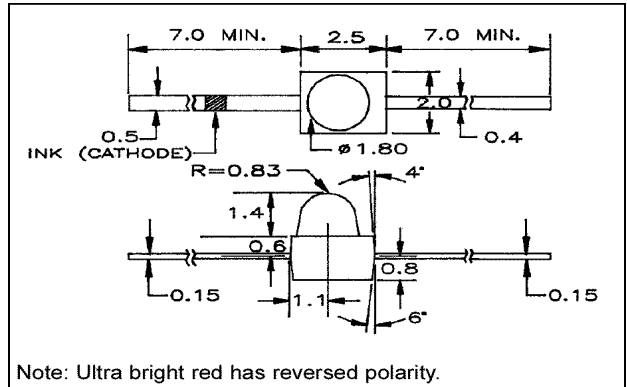


Features

All plastic mold type
Will fit in small space
Low current operation



Series Line-Up

Part Number	Color	Material
MT1302A-RG	Red	GaP
MT1402A-RG	Red	GaP
MT2302A-G	Yellow Green	GaP
MT2402A-G	Yellow Green	GaP
MT3302A-Y	Pure Yellow	GaAsP
MT3402A-Y	Pure Yellow	GaAsP
MT4302A-HR	High Efficiency Red	GaAsP
MT4402A-HR	High Efficiency Red	GaAsP
MT4402A-O	High Efficiency Red	GaAsP
MT7302A-UR	Super Ultra Bright Red	GaAlAs
MT7402A-UR	Ultra Bright Red	GaAlAs

Maximum Ratings ($T_a=25^\circ\text{C}$)

Part Number	Forward Current I_F	Reverse Voltage V_R	Power Dissipation P_D	Operating Temperature T_{opr}	Storage Temperature T_{stg}
MT1302A-RG	30	5	85.00	-25 ~ +85	-25 ~ +100
MT1402A-RG	30	5	85.00	-25 ~ +85	-25 ~ +100
MT2302A-G	30	5	85.00	-25 ~ +85	-25 ~ +100
MT2402A-G	30	5	85.00	-25 ~ +85	-25 ~ +100
MT3302A-Y	30	5	85.00	-25 ~ +85	-25 ~ +100
MT3402A-Y	30	5	85.00	-25 ~ +85	-25 ~ +100
MT4302A-HR	30	5	85.00	-25 ~ +85	-25 ~ +100
MT4402A-HR	30	5	85.00	-25 ~ +85	-25 ~ +100
MT4402A-O	30	5	85.00	-25 ~ +85	-25 ~ +85
MT7302A-UR	30	4	70.00	-25 ~ +85	-25 ~ +100
MT7402A-UR	30	4	85.00	-25 ~ +85	-25 ~ +100
Unit	mA	V	mW	$^\circ\text{C}$	$^\circ\text{C}$

Company Headquarters
120 Broadway
Menands, New York 12204
Toll Free: 800.984.5337
Fax: 518.432.7454

West Coast Sales Office
100 Oceangate Blvd. #1200
Long Beach, CA 90802
Toll Free: 800.984.5337
Fax: 562.628.5572

Electrical and Optical Characteristics (Ta=25°C)

Part Number	PWL nm λP	Material	View Angle 2θ _{1/2}	Luminous Intensity I _v				Forward Voltage V _F				Rev Current I _R		
				min.	typ.	max.	IF@	min.	typ.	max.	IF@	max.	VR@	
MT1302A-RG	700	GaP	36°	2.00	3.40	-	20mA	-	2.10	3.00	20mA	100	5V	
MT1402A-RG	700	GaP	36°	3.00	3.40	-	20mA	-	2.10	3.00	20mA	100	5V	
MT2302A-G	567	GaP	36°	10.00	16.70	-	20mA	-	2.10	3.00	20mA	100	5V	
MT2402A-G	567	GaP	36°	10.00	16.70	-	20mA	-	2.10	3.00	20mA	100	5V	
MT3302A-Y	585	GaAsP	36°	8.20	13.70	-	20mA	-	2.10	3.00	20mA	100	5V	
MT3402A-Y	585	GaAsP	36°	8.20	13.70	-	20mA	-	2.10	3.00	20mA	100	5V	
MT4302A-HR	635	GaAsP	36°	11.60	1934.00	-	20mA	-	2.10	3.00	20mA	100	5V	
MT4402A-HR	635	GaAsP	36°	11.60	18.40	-	20mA	-	2.10	3.00	20mA	100	5V	
MT4402A-O	635	GaAsP	36°	11.60	18.40	-	20mA	-	2.10	3.00	20mA	100	5V	
MT7302A-UR	660	GaAlAs	36°	48.00	80.00	-	20mA	-	1.90	2.50	20mA	100	4V	
MT7402A-UR	660	GaAlAs	36°	48.00	80.00	-	20mA	-	1.90	2.50	20mA	100	4V	
-	nm	-	deg	mcd				-	V			-	mA	-

NOTES:

- All Dimensions are in millimeters.
- Tolerance is ±0.25mm unless otherwise stated.
- An Epoxy Meniscus may extend about 1mm down the leads.
- Burr around bottom of epoxy may be around 0.5mm MAX.
- Specifications are subject to change without notice.

Company Headquarters
 120 Broadway
 Menands, New York 12204
 Toll Free: 800.984.5337
 Fax: 518.432.7454

West Coast Sales Office
 100 Oceangate Blvd. #1200
 Long Beach, CA 90802
 Toll Free: 800.984.5337
 Fax: 562.628.5572