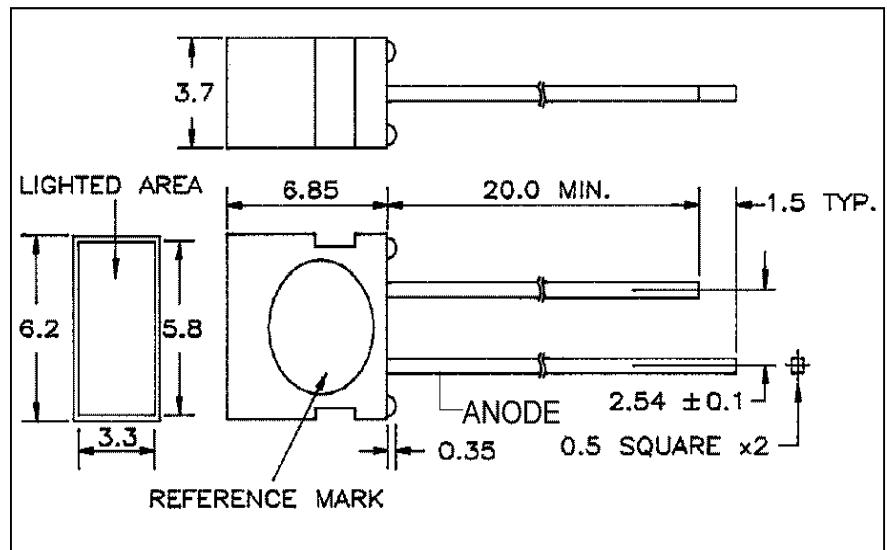


Features

- Diffused lens
- All plastic mold type
- Low drive current
- Other colors, materials available



Series Line-Up

Part Number	Color	Material
MT1173-RG	Red	GaP
MT2173-G	Yellow Green	GaP
MT3173-Y	Pure Yellow	GaAsP
MT4173-HR	High Efficiency Red	GaAsP
MT4173-O	High Efficiency Red	GaAsP

Maximum Ratings (Ta=25°C)

Part Number	Forward Current I _F	Reverse Voltage V _R	Power Dissipation P _D	Operating Temperature T _{opr}	Storage Temperature T _{stg}
MT2173 G	30	5	85.00	-25 ~ +85	-25 ~ +100
MT2173-G	30	5	85.00	-25 ~ +85	-25 ~ +100
MT3173-Y	30	5	85.00	-25 ~ +85	-25 ~ +100
MT4173-HR	30	5	85.00	-25 ~ +85	-25 ~ +100
MT4173-O	30	5	85.00	-25 ~ +85	-25 ~ +100
Unit	mA	V	mW	°C	°C

Company Headquarters
 120 Broadway
 Menands, New York 12204
 Toll Free: 800.984.5337
 Fax: 518.432.7454

West Coast Sales Office
 100 Oceangate Blvd. #1200
 Long Beach, CA 90802
 Toll Free: 800.984.5337
 Fax: 562.628.5572

Electrical and Optical Characteristics (Ta=25°C)

Part Number	PWL nm λ_P	Material	View Angle $2\theta_{1/2}$	Luminous Intensity I_v				Forward Voltage V_F				Rev Current I_R	
				min.	typ.	max.	IF@	min.	typ.	max.	IF@	max.	VR@
MT1173-RG	700	GaP	60°	2.00	3.40	-	20mA	-	2.10	3.00	20mA	100	5V
MT2173-G	567	GaP	60°	5.30	8.80	-	20mA	-	2.10	3.00	20mA	100	5V
MT3173-Y	585	GaAsP	60°	4.30	7.20	-	20mA	-	2.10	3.00	20mA	100	5V
MT4173-HR	635	GaAsP	60°	6.10	10.10	-	20mA	-	2.10	3.00	20mA	100	5V
MT4173-O	635	GaAsP	60°	6.10	10.10	-	20mA	-	2.10	3.00	20mA	100	5V
-	nm	-	deg	mcd				-	V		-	mA	-

NOTES:

- All Dimensions are in millimeters.
- Tolerance is ± 0.25 mm unless otherwise stated.
- An Epoxy Meniscus may extend about 1mm down the leads.
- Burr around bottom of epoxy may be around 0.5mm MAX.
- Specifications are subject to change without notice.

Company Headquarters
 120 Broadway
 Menands, New York 12204
 Toll Free: 800.984.5337
 Fax: 518.432.7454

West Coast Sales Office
 100 Oceangate Blvd. #1200
 Long Beach, CA 90802
 Toll Free: 800.984.5337
 Fax: 562.628.5572