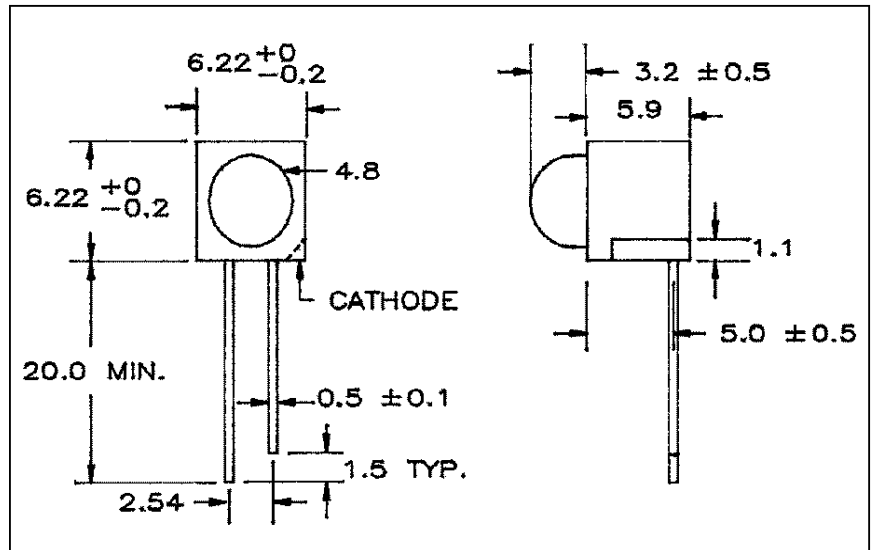


### Features

- Diffused lens
- Stackable end to end
- Other colors/materials available



### Series Line-Up

Part Number	Color	Material
MT1164S2-RG	Red	GaP
MT2164S2-G	Yellow Green	GaP
MT3164S2-Y	Pure Yellow	GaAsP
MT4164S2-HR	High Efficiency Red	GaAsP
MT4164S2-O	High Efficiency Red	GaAsP

### Maximum Ratings (Ta=25°C)

Part Number	Forward Current I <sub>F</sub>	Reverse Voltage V <sub>R</sub>	Power Dissipation P <sub>D</sub>	Operating Temperature T <sub>opr</sub>	Storage Temperature T <sub>stg</sub>
MT1164S2-RG	30	5	85.00	-25 ~ +85	-25 ~ +100
MT2164S2-G	30	5	85.00	-25 ~ +85	-25 ~ +100
MT3164S2-Y	30	5	85.00	-25 ~ +85	-25 ~ +100
MT4164S2-HR	30	5	85.00	-25 ~ +85	-25 ~ +100
MT4164S2-O	30	5	85.00	-25 ~ +85	-25 ~ +100
Unit	mA	V	mW	°C	°C

**Company Headquarters**  
 120 Broadway  
 Menands, New York 12204  
 Toll Free: 800.984.5337  
 Fax: 518.432.7454

**West Coast Sales Office**  
 100 Oceangate Blvd. #1200  
 Long Beach, CA 90802  
 Toll Free: 800.984.5337  
 Fax: 562.628.5572

## Electrical and Optical Characteristics (Ta=25°C)

Part Number	PWL nm $\lambda_P$	Material	View Angle $2\theta_{1/2}$	Luminous Intensity $I_v$				Forward Voltage $V_F$				Rev Current $I_R$		
				min.	typ.	max.	IF@	min.	typ.	max.	IF@	max.	VR@	
MT1164S2-RG	700	GaP	44°	2.40	4.10	-	20mA	-	2.10	3.00	20mA	100	5V	
MT2164S2-G	567	GaP	44°	7.20	100.00	-	20mA	-	2.10	3.00	20mA	100	5V	
MT3164S2-Y	585	GaAsP	44°	5.80	65.00	-	20mA	-	2.10	3.00	20mA	100	5V	
MT4164S2-HR	635	GaAsP	44°	8.20	75.00	-	20mA	-	2.10	3.00	20mA	100	5V	
MT4164S2-O	635	GaAsP	44°	8.20	75.00	-	20mA	-	2.10	3.00	20mA	100	5V	
-	nm	-	deg	mcd				-	V			-	mA	-

### NOTES:

- All Dimensions are in millimeters.
- Tolerance is  $\pm 0.25$ mm unless otherwise stated.
- An Epoxy Meniscus may extend about 1mm down the leads.
- Burr around bottom of epoxy may be around 0.5mm MAX.
- Specifications are subject to change without notice.

**Company Headquarters**  
 120 Broadway  
 Menands, New York 12204  
 Toll Free: 800.984.5337  
 Fax: 518.432.7454

**West Coast Sales Office**  
 100 Oceangate Blvd. #1200  
 Long Beach, CA 90802  
 Toll Free: 800.984.5337  
 Fax: 562.628.5572