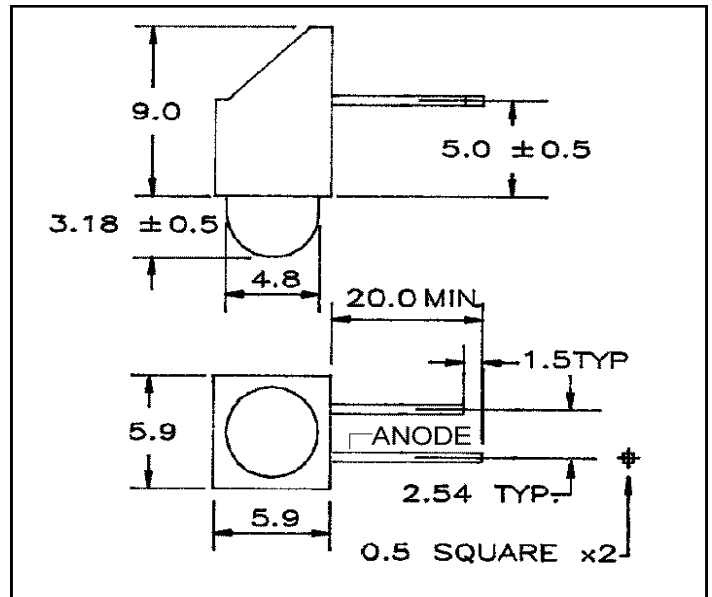


Features

- Diffused lens
- Stackable end to end
- Other colors/materials available



Series Line-Up

Part Number	Color	Material
MT1164-RGCT	Red	GaP
MT2164-GCT	Yellow Green	GaP
MT3164-YCT	Pure Yellow	GaAsP
MT4164-HRCT	High Efficiency Red	GaAsP
MT4164-OCT	High Efficiency Red	GaAsP

Maximum Ratings (Ta=25°C)

Part Number	Forward Current I _F	Reverse Voltage V _R	Power Dissipation P _D	Operating Temperature T _{opr}	Storage Temperature T _{stg}
MT1164-RGCT	30	5	85.00	-25 ~ +85	-25 ~ +100
MT2164-GCT	30	5	85.00	-25 ~ +85	-25 ~ +100
MT3164-YCT	30	5	85.00	-25 ~ +85	-25 ~ +100
MT4164-HRCT	30	5	85.00	-25 ~ +85	-25 ~ +100
MT4164-OCT	30	5	85.00	-25 ~ +85	-25 ~ +100
Unit	mA	V	mW	°C	°C

Company Headquarters
 120 Broadway
 Menands, New York 12204
 Toll Free: 800.984.5337
 Fax: 518.432.7454

West Coast Sales Office
 100 Oceangate Blvd. #1200
 Long Beach, CA 90802
 Toll Free: 800.984.5337
 Fax: 562.628.5572

Electrical and Optical Characteristics (Ta=25°C)

Part Number	PWL nm λP	Material	View Angle 2θ _{1/2}	Luminous Intensity I _v				Forward Voltage V _F				Rev Current I _R			
				min.	typ.	max.	IF@	min.	typ.	max.	IF@	max.	VR@		
MT1164-RGCT	700	GaP	38°	2.40	4.10	-	20mA	-	2.10	3.00	20mA	100	5V		
MT2164-GCT	567	GaP	38°	7.20	100.00	-	20mA	-	2.10	3.00	20mA	100	5V		
MT3164-YCT	585	GaAsP	38°	5.80	65.00	-	20mA	-	2.10	3.00	20mA	100	5V		
MT4164-HRCT	635	GaAsP	38°	8.20	75.00	-	20mA	-	2.10	3.00	20mA	100	5V		
MT4164-OCT	635	GaAsP	38°	8.20	75.00	-	20mA	-	2.10	3.00	20mA	100	5V		
-	nm	-	deg	mcd				-	V				-	mA	-

NOTES:

- All Dimensions are in millimeters.
- Tolerance is ±0.25mm unless otherwise stated.
- An Epoxy Meniscus may extend about 1mm down the leads.
- Burr around bottom of epoxy may be around 0.5mm MAX.
- Specifications are subject to change without notice.

Company Headquarters
 120 Broadway
 Menands, New York 12204
 Toll Free: 800.984.5337
 Fax: 518.432.7454

West Coast Sales Office
 100 Oceangate Blvd. #1200
 Long Beach, CA 90802
 Toll Free: 800.984.5337
 Fax: 562.628.5572