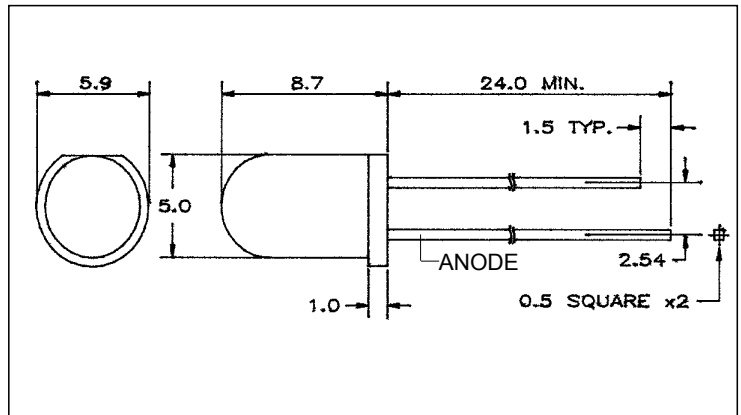


T-1³/₄ Blinking LED Lamps

FEATURES

- T-1³/₄ blinking LED
- Diffused lens



MAXIMUM RATINGS (Ta = 25°C)

PART NO.	OPERATING VOLTAGE (V)	REVERSE VOLTAGE (V _R) (V)	OPERATING TEMPERATURE (T _{opr}) (°C)	STORAGE TEMPERATURE (T _{stg}) (°C)
MT1118F-RG	3-5	0.4	0~+70	-25~+85
MT2118F-G	3-5	0.4	0~+70	-25~+85
MT3118F-Y	3-5	0.4	0~+70	-25~+85
MT4118F-O	3-5	0.4	0~+70	-25~+85
MT4118F-HR	3-5	0.4	0~+70	-25~+85
MT7118F-UR	3-5	0.4	0~+70	-25~+85

OPTO-ELECTRICAL CHARACTERISTICS (Ta = 25°C)

PART NO.	EMITTING COLOR	LENS COLOR	VIEWING ANGLE typ.	LUMINOUS INTENSITY (mcd)			APPLIED VOLTAGE (V)		FREQUENCY (Hz)	PEAK WAVE LENGTH
				min.	max.	@V	min.	max.	typ.	nm
MT1118F-RG	Red	Red Diff	40°	0.2	0.5	5	3.0	5.0	2.4	700
MT2118F-G	Green	Green Diff	40°	1.0	2.4	5	3.0	5.0	2.4	567
MT3118F-Y	Yellow	Yellow Diff	40°	0.8	2.0	5	3.0	5.0	2.4	585
MT4118F-O	Orange	Orange Diff	40°	1.1	2.8	5	3.0	5.0	2.4	635
MT4118F-HR	Hi-Eff Red	Red Diff	40°	1.1	2.8	5	3.0	5.0	2.4	635
MT7118F-UR	Ultra Red	Red Diff	40°	21.5	35.8	5	3.0	5.0	2.4	660



120 Broadway • Menands, New York 12204
Toll Free: (800) 98-4LEDS • Fax: (518) 432-7454

For up-to-date product info visit our web site at www.marktechopto.com

All specifications subject to change.