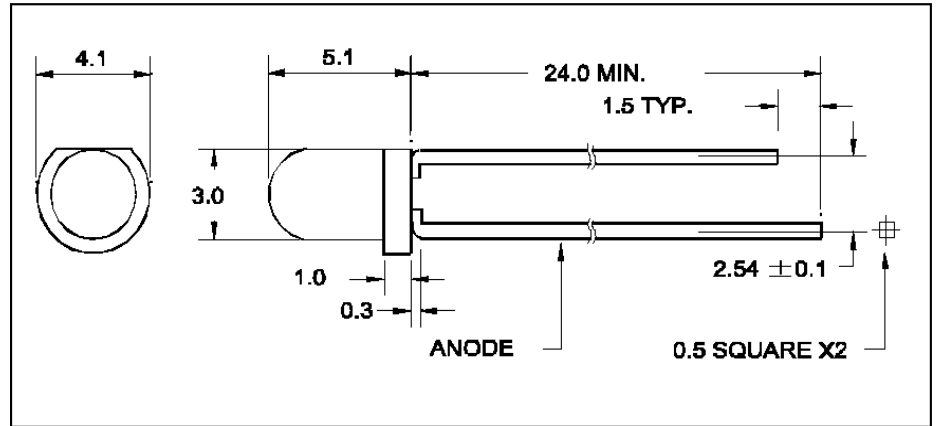


Features

- Choice of lens color
- Low drive current
- Can be packaged on tape in a reel or in a box
- Excellent on/off contrasts



Series Line-Up

| Part Number | Color | Material |
|-------------|---------------------|----------|
| MT1103-RG | Red | GaP |
| MT1403-RG | Red | GaP |
| MT2103-G | Yellow Green | GaP |
| MT2403-G | Yellow Green | GaP |
| MT3103-Y | Pure Yellow | GaAsP |
| MT3403-Y | Pure Yellow | GaAsP |
| MT4103-O | High Efficiency Red | GaAsP |
| MT4103-HR | High Efficiency Red | GaAsP |
| MT4403-HR | High Efficiency Red | GaAsP |
| MT4403-O | High Efficiency Red | GaAsP |

Maximum Ratings (Ta=25°C)

| Part Number | Forward Current I _F | Reverse Voltage V _R | Power Dissipation P _D | Operating Temperature T _{opr} | Storage Temperature T _{stg} |
|-------------|-----------------------------------|-----------------------------------|-------------------------------------|---|---|
| MT1103-RG | 30 | 5 | 85.00 | -25 ~ +85 | -25 ~ +100 |
| MT1403-RG | 30 | 5 | 85.00 | -25 ~ +85 | -25 ~ +100 |
| MT2103-G | 30 | 5 | 85.00 | -25 ~ +85 | -25 ~ +100 |
| MT2403-G | 30 | 5 | 85.00 | -25 ~ +85 | -25 ~ +100 |
| MT3103-Y | 30 | 5 | 85.00 | -25 ~ +85 | -25 ~ +100 |
| MT3403-Y | 30 | 5 | 85.00 | -25 ~ +85 | -25 ~ +100 |
| MT4103-O | 30 | 5 | 85.00 | -25 ~ +85 | -25 ~ +100 |
| MT4103-HR | 30 | 5 | 85.00 | -25 ~ +85 | -25 ~ +100 |
| MT4403-HR | 30 | 5 | 85.00 | -25 ~ +85 | -25 ~ +100 |
| MT4403-O | 30 | 5 | 85.00 | -25 ~ +85 | -25 ~ +100 |
| Unit | mA | V | mW | °C | °C |

Company Headquarters
 120 Broadway
 Menands, New York 12204
 Toll Free: 800.984.5337
 Fax: 518.432.7454

West Coast Sales Office
 100 Oceangate Blvd. #1200
 Long Beach, CA 90802
 Toll Free: 800.984.5337
 Fax: 562.628.5572

Electrical and Optical Characteristics (Ta=25°C)

| Part Number | PWL nm λP | Material | View Angle 2θ _{1/2} | Luminous Intensity I _v | | | | Forward Voltage V _F | | | | Rev Current I _R | |
|-------------|--------------|----------|---------------------------------|--------------------------------------|-------|------|------|-----------------------------------|------|------|------|-------------------------------|-----|
| | | | | min. | typ. | max. | IF@ | min. | typ. | max. | IF@ | max. | VR@ |
| MT1103-RG | 700 | GaP | 56° | 1.00 | 2.40 | - | 20mA | - | 2.10 | 3.00 | 20mA | 100 | 5V |
| MT1403-RG | 700 | GaP | 36° | 3.20 | 8.20 | - | 20mA | - | 2.10 | 3.00 | 20mA | 100 | 5V |
| MT2103-G | 567 | GaP | 56° | 4.80 | 40.00 | - | 20mA | - | 2.10 | 3.00 | 20mA | 100 | 5V |
| MT2403-G | 567 | GaP | 36° | 16.00 | 80.00 | - | 20mA | - | 2.10 | 3.00 | 20mA | 100 | 5V |
| MT3103-Y | 585 | GaAsP | 56° | 4.00 | 25.00 | - | 20mA | - | 2.10 | 3.00 | 20mA | 100 | 5V |
| MT3403-Y | 585 | GaAsP | 36° | 13.40 | 60.00 | - | 20mA | - | 2.10 | 3.00 | 20mA | 100 | 5V |
| MT4103-O | 635 | GaAsP | 56° | 5.60 | 35.00 | - | 20mA | - | 2.10 | 3.00 | 20mA | 100 | 5V |
| MT4103-HR | 635 | GaAsP | 56° | 5.60 | 35.00 | - | 20mA | - | 2.10 | 3.00 | 20mA | 100 | 5V |
| MT4403-HR | 635 | GaAsP | 36° | 18.80 | 75.00 | - | 20mA | - | 2.10 | 3.00 | 20mA | 100 | 5V |
| MT4403-O | 635 | GaAsP | 36° | 18.80 | 75.00 | - | 20mA | - | 2.10 | 3.00 | 20mA | 100 | 5V |
| - | nm | - | deg | mcd | | | | - | V | | - | mA | - |

NOTES:

- All Dimensions are in millimeters.
- Tolerance is ±0.25mm unless otherwise stated.
- An Epoxy Meniscus may extend about 1mm down the leads.
- Burr around bottom of epoxy may be around 0.5mm MAX.
- Specifications are subject to change without notice.

Company Headquarters
 120 Broadway
 Menands, New York 12204
 Toll Free: 800.984.5337
 Fax: 518.432.7454

West Coast Sales Office
 100 Oceangate Blvd. #1200
 Long Beach, CA 90802
 Toll Free: 800.984.5337
 Fax: 562.628.5572