

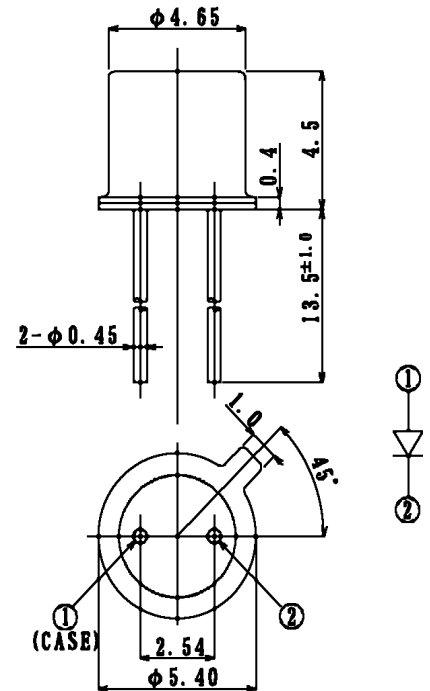
MT108W-UR3

Features

Excellent Optical/Mechanical Axis Alignment
 Optical Grade Glass Lens
 Visible Light Emitter

Applications

Bar Code Scanning
 Fiber Optics
 Optical Switches



① Anode ② Cathode

Maximum Ratings (Ta=25°C)

Characteristic	Symbol	Max.	Test Condition	Unit
Forward Current	I _F	30	–	mA
Pulsed Forward Current	I _{FP}	.50	tw=10μ S, T=10mS	A
Reverse Voltage	V _R	4	–	V
Power Dissipation	P _D	100.00	–	mW
Operating Temperature	T _{opr}	-20 ~ +80	–	°C
Storage Temperature	T _{stg}	-30 ~+100	–	°C
Junction Temperature	T _j	100	–	°C
Soldering Temperature	T _{sol}	260	for 5 sec. max	°C

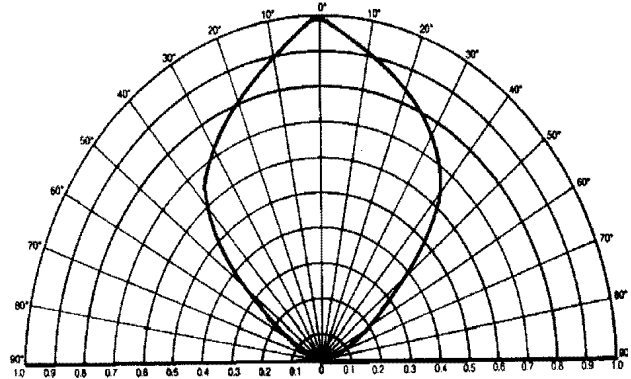
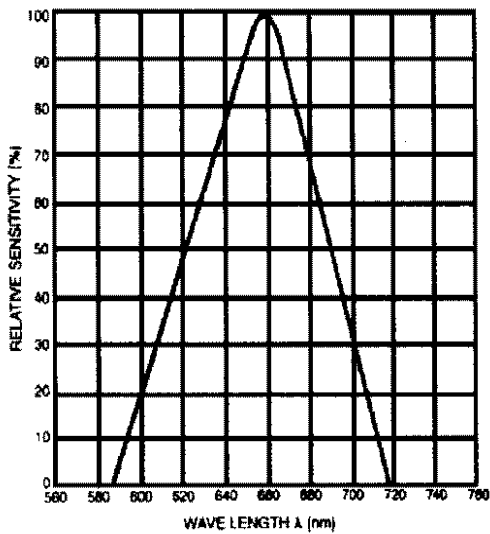
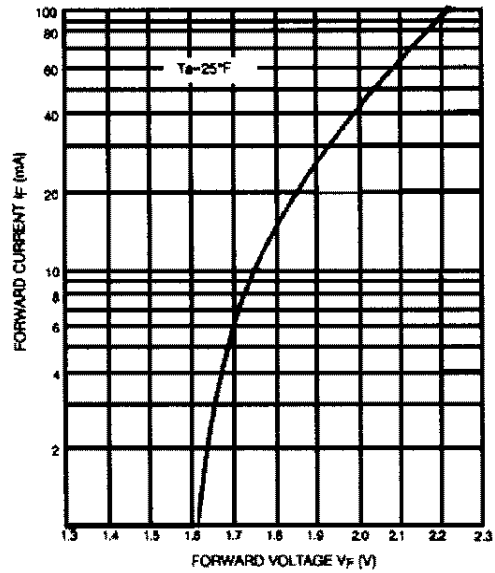
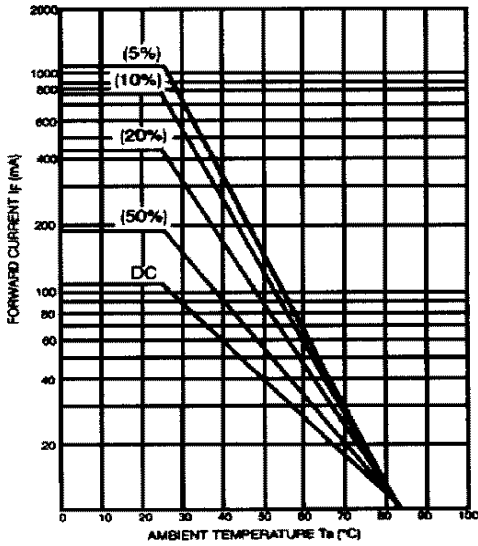
Opto-Electrical Characteristics (Ta=25°C)

Characteristic	Symbol	Test Condition	Min	Typ	Max	Unit
Forward Voltage	V _F	I _F =20mA	–	1.80	2.40	V
Reverse Current	I _R	V _R =4V	–	–	100	μA
Power Output	PO	I _F =20mA	1.00	3.00	–	mW
Half Intensity Beam Angle	θ	–	–	± 40°	–	deg.
Peak Wavelength	λ _p	I _F =20mA	–	660	–	nm
Dominant Wavelength	λ _d	I _F =20mA	–	643	–	nm
Spectral Line Half Width	Δλ	I _F =20mA	–	20	–	nm

Company Headquarters
 120 Broadway
 Menands, New York 12204
 Toll Free: 800.984.5337
 Fax: 518.432.7454

West Coast Sales Office
 100 Oeangate Blvd. #1200
 Long Beach, CA 90802
 Toll Free: 800.984.5337
 Fax: 562.628.5572

MT108W-UR3 Graphs



Company Headquarters
120 Broadway
Menands, New York 12204
Toll Free: 800.984.5337
Fax: 518.432.7454

West Coast Sales Office
100 Oceangate Blvd. #1200
Long Beach, CA 90802
Toll Free: 800.984.5337
Fax: 562.628.5572