

MT108SL-UR3

Features

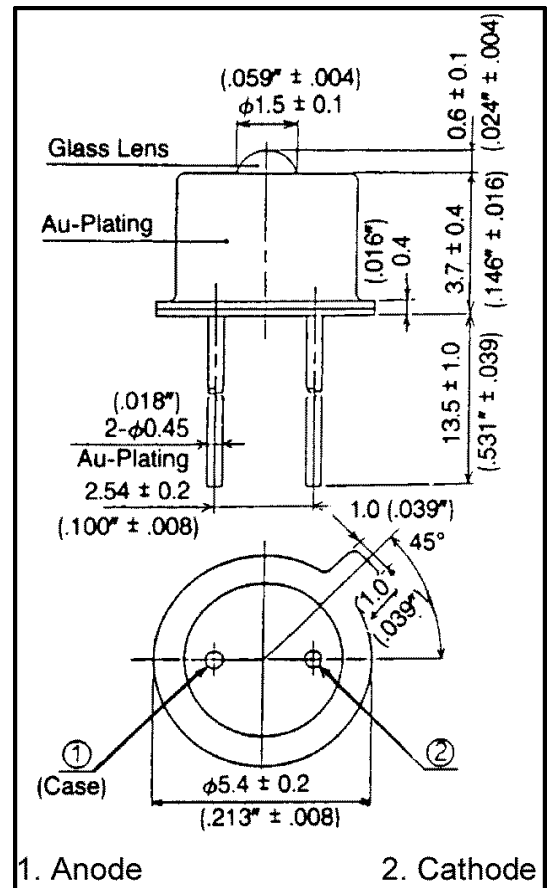
Visible Light Emitter
 Excellent Optical/Mechanical Axis Alignment
 Optical Grade Glass Lens

Applications

Bar Code Scanning
 Fiber Optics
 Optical Switch

Maximum Ratings (Ta=25°C)

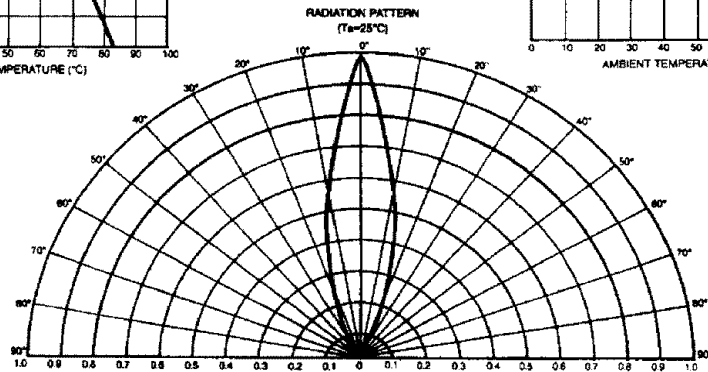
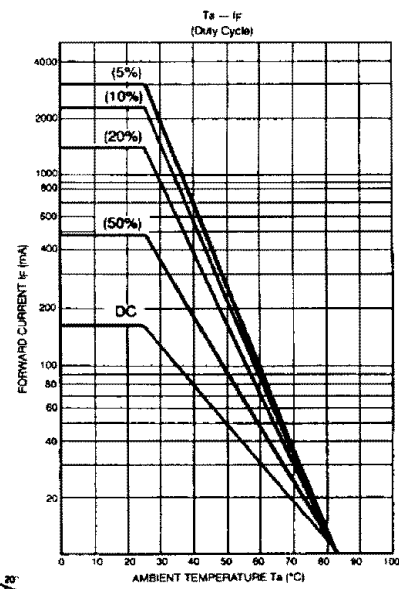
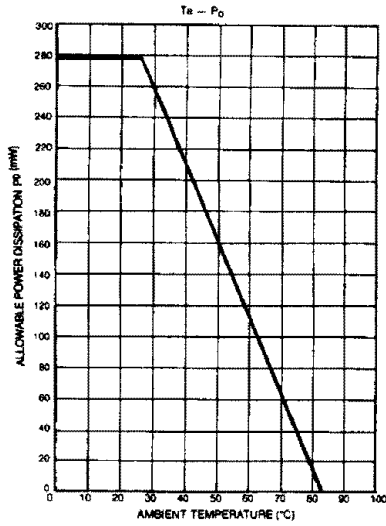
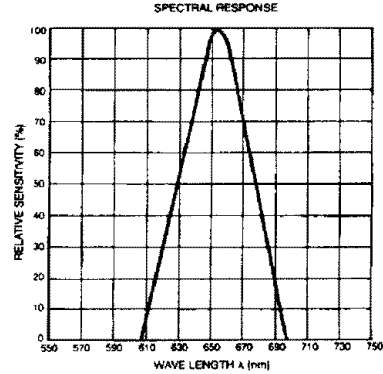
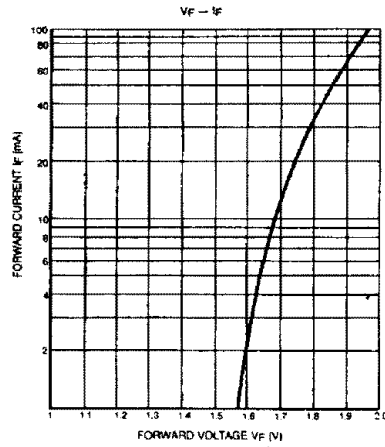
Characteristic	Symbol	Max.	Test Condition	Unit
Forward Current	I _F	50	-	mA
Pulsed Forward Current	I _{FP}	.30	tw=10μ S, T=10mS	A
Reverse Voltage	V _R	5.00	-	V
Power Dissipation	P _D	140.00	-	mW
Operating Temperature	T _{opr}	-20~+80	-	°C
Storage Temperature	T _{stg}	-30 ~+100	-	°C
Junction Temperature	T _j	100	-	°C
Soldering Temperature	T _{sol}	260	for 5 sec. max	°C



Opto-Electrical Characteristics (Ta=25°C)

Characteristic	Symbol	Test Condition	Min	Typ	Max	Unit
Forward Voltage	V _F	I _F =20mA	-	1.80	2.20	V
Reverse Current	I _R	V _R =5V	-	-	100	μA
Power Output	P _O	I _F =20mA	.30	.60	-	mW
Half Intensity Beam Angle	θ	-	-	± 12°	-	deg.
Peak Wavelength	λ _p	I _F =20mA	-	660	-	nm
Dominant Wavelength	λ _d	I _F =20mA	-	643	-	nm
Spectral Line Half Width	Δλ	I _F =20mA	-	25	-	nm
Temp Coefficient of P _O	P/T	10mA	-	-0.50	-	%/°C
Temp Coefficient of V _F	V/T	10mA	-	-1.50	-	mV/°C
Junction Capacitance	C _j	V=0V, 1MHz	-	20	-	pF

MT108SL-UR3 Graphs



Company Headquarters
 120 Broadway
 Menands, New York 12204
 Toll Free: 800.984.5337
 Fax: 518.432.7454

West Coast Sales Office
 100 Oceangate Blvd. #1200
 Long Beach, CA 90802
 Toll Free: 800.984.5337
 Fax: 562.628.5572