

RADIAL LEAD TANGOLD™ CAPACITORS

EPOXY RESIN COATED, TANTALUM

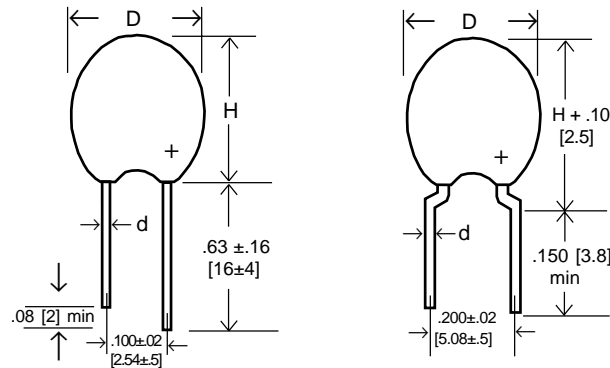
TR SERIES



- Epoxy resin dipped, UL94V-0 Flame Retardant
- Low leakage current and impedance
- Excellent humidity and heat resistance
- Laser marked capacitor body
- Several lead-wire forms available

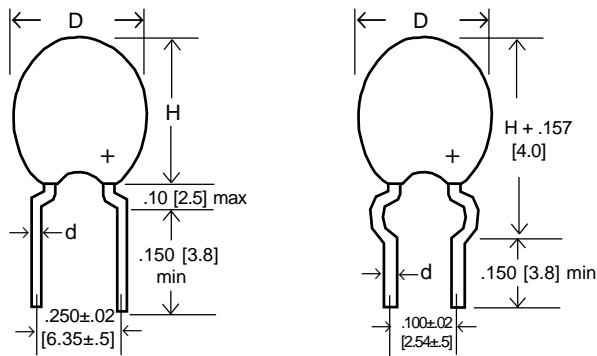
STANDARD LEAD STYLES

Style 10 (.100" lead spacing) Style 20 (.200" lead spacing)



OPTIONAL LEAD STYLES (additional styles available)

Style 25 (.250" lead spacing) Style 10K (.100" LS with kink)



P/N DESIGNATION:

TR A 10 □ - 105 - K 020 A W

RCD Type **TR**

Case Code: A, B, C, D, E, F **A**

Lead Style: 10, 20, 25, 10K, etc. **10**

Option Code(s): Leave blank if standard **□**

Capacitance Code (pF): 2 significant digits & multiplier **105**
 103=10,000pF or 0.01uF, 104=100,000pF or 0.1uF, 105 = 1uF, 106= 10uF, 107=100uF

Tolerance: Standard=K (10%). J (5%) & M (20%) also avail. **K**

Voltage: 3 digit code (003=3V, 004=4V, 006=6.3V, 010=10V, 016=16V, 020=20V, 025=25V, 035=35V, 050=50V) **020**

Packaging: B=Bulk, A = Ammo (tape & box) **A**

Termination: W= Lead-free (std), Q= Tin/Lead (leave blank if either is acceptable) **W**

DIMENSIONS

Case Size	D(Max)	H (Max)	d ± .002 [.05]
A	.177 [4.5]	0.28 [7.1]	.020 [0.50]
B	.196 [5.0]	.315 [8.0]	.020 [0.50]
C	.217 [5.5]	.375 [9.5]	.020 [0.50]
D	.256 [6.5]	.433 [11.0]	.020 [0.50]
E	.335 [8.5]	.512 [13.0]	.020 [0.50]
F	.375 [9.5]	.650 [16.5]	.020 [0.50]

RATED VOLTAGE, NOMINAL CAPACITANCE AND CASE SIZES									
Rated DC Voltage(85°C)	3	4	6.3	10	16	20	25	35	50
Rated DC Voltage(125°C)	2	2.5	4	6.3	10	13	16	20	32
Short-time Overload Voltage (30Sec)	4	5.2	8	13	20	26	33	46	65
Capacitance (µF)	Code								
	Case Code								
0.047	473							A	A
0.068	683							A	A
0.1	104							A	A
0.15	154							A	A
0.22	224							A	A
0.33	334							A	A
0.47	474							A	A
0.68	684							A	A
1.0	105				A	A	A	A	B
1.5	155				A	A	A	A	C
2.2	225			A	A	A	A	B	C
3.3	335			A	A	A	B	B	D
4.7	475	A	A	A	A	B	B	B	D
6.8	685	A	A	A	B	B	C	C	D
10	106	A	A	B	B	B	C	C	E
15	156	A	A	B	C	C	D	D	F
22	226	B	B	C	C	C	D	D	F
33	336	B	B	C	D	D	E	E	F
47	476	C	C	D	D	D	E	E	F
68	686	D	D	D	D	E	F	F	
100	107	D	D	E	E	E	F	F	
150	157	D	E	E	E	F			
220	227	E	E	E	F				
330	337	E	F	F					
470	477	F							
680	687	F							

SPECIFICATIONS

CAPACITANCE (µF)	ΔC FROM INITIAL LIMIT			DISSIPATION FACTOR (25°C, 120Hz)			
	-55°C	+85°C	+125°C	-55°C	+25°C	+85°C	+125°C
<1.0				6%	4%	6%	6%
1.5 to 68	±10%	±15%	±25%	10%	6%	10%	10%
100 to 680				12%	8%	12%	12%