



Solid State Devices, Inc.

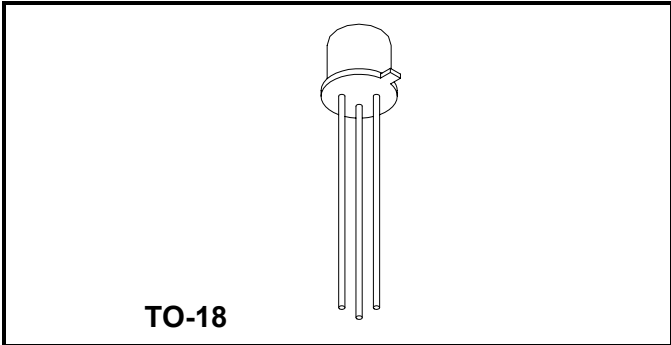
14830 Valley View Blvd * La Mirada, Ca 90638
 Phone: (562) 404-7855 * Fax: (562) 404-1773
 ssdi@ssdi-power.com * www.ssdi-power.com

SFS884 thru SFS889

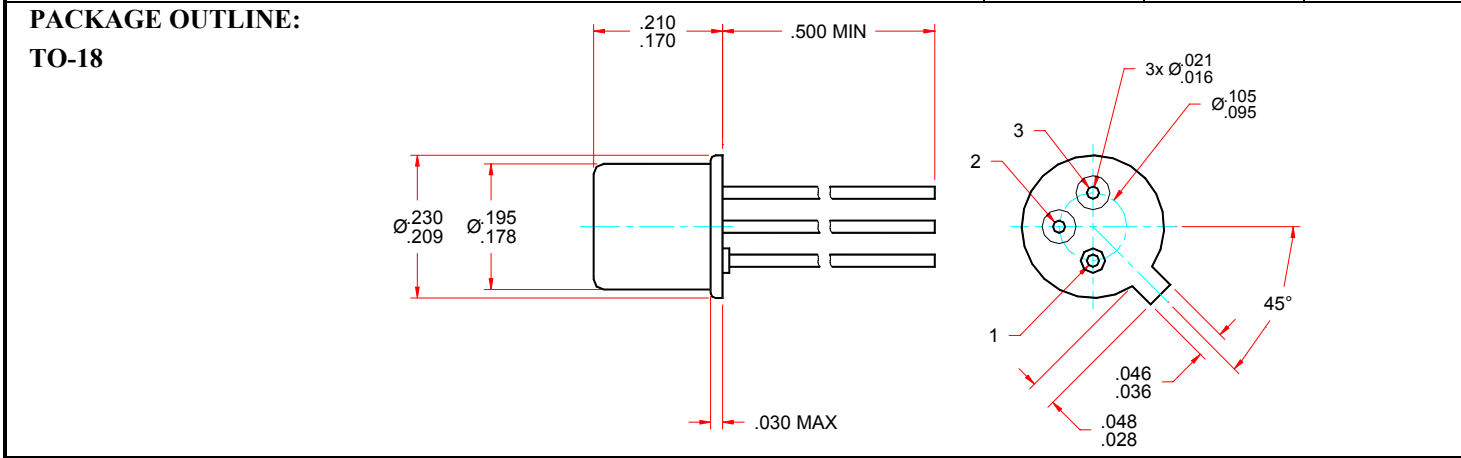
**20 AMPS
 15 – 200 VOLTS
 SILICON CONTROLLED
 RECTIFIER**

Designer's Data Sheet

- FEATURES:**
- High Surge Current
 - High On State Current
 - High Frequency up to 400 Hz operation
 - Anode Common to Case
 - Hermetically Sealed
 - Replacement for part number 2N884 thru 2N889 and 2N876 thru 2N881 devices.
 - TX, TXV, S-Level Screening Available. Consult Factory



MAXIMUM RATINGS ($T_J = 25^\circ\text{C}$ UNLESS OTHERWISE NOTED, $R_{GK} = 1\text{K}\Omega$)		Symbol	Value	Units
Peak Repetitive Reverse Voltage and DC Blocking Voltage	SFS884	V_{DRM}	15	Volts
	SFS885		30	
	SFS886		60	
	SFS887	V_{RRM}	100	
	SFS888		150	
	SFS889		200	
Average On-State Current	$T_a = 30^\circ\text{C}$ $T_a = 100^\circ\text{C}$	$I_{F(AV)}$	0.5 0.35	Amps
Peak Recurrent Surge Current ($T_a \leq 100^\circ\text{C}$, $t_p = 0.2$ ms, duty cycle = 0.1 %)		I_{FSR}	20	Amps
Peak Gate Current		I_{GM}	250	mA
Peak Gate Voltage		V_{GM}	5	Volts
Operating Junction Temperature Range		T_J	-65 to +150	°C
Storage Temperature Range		T_{stg}	-65 to +150	°C





Solid State Devices, Inc.

14830 Valley View Blvd * La Mirada, Ca 90638
Phone: (562) 404-7855 * Fax: (562) 404-1773
ssdi@ssdi-power.com * www.ssdi-power.com

SFS884 thru SFS889

ELECTRICAL CHARACTERISTICS (T _a = 25°C unless otherwise indicated)		Symbol	Min	Typical	Max	Unit
Peak Reverse Blocking Current (Rated V _{RRM})	T _j = 25°C T _j = 125°C	I _{RRM}	—	—	10 100	μA
Peak Forward Blocking Current (Rated V _{DRM})	T _j = 25°C T _j = 125°C	I _{DRM}	—	—	10 100	μA
Peak On-State Voltage (I _F = 0.2 A Peak)		V _{TM}	—	1.0	1.50	Volts
Reverse Gate Current (V _G = -2 V _{DC} , Anode = open)		I _{GR}	—	—	10	μA
Gate Trigger Current (V _D = 12 V _{DC} , R _L = 33 Ω)		I _{GT}	—	50	80	μA
Gate Trigger Voltage (V _D = 12 V _{DC} , R _L = 33 Ω)		V _{GT}	0.4	0.65	0.72	Volts
Holding Current (I _T = 500 mA, Gate Open)		I _H	—	1.0	2.2	mA
Critical Rate of Voltage Rise (Linear slope up to V _D = 67% of V _{DRM} , R _{gk} = 1KΩ)		dV/dt	—	750	—	V/μs
Commutated Turn-off Time (I _F = 2A, I _g = 200 mA, dI _g /dt = 0.1A/us)		t _{qt}	—	2	—	μs

NOTES:

1/ Unless Otherwise Specified, All Electrical Characteristics @ T_C = 25°C, R_{GK} = 1K Ω.

Available Part Numbers: SFS884, SFS885, SFS886, SFS887, SFS888, SFS889
--

PIN ASSIGNMENT (Standard)			
Package	Cathode	Gate	Anode
TO-18	Pin 1	Pin 2	Pin 3 (case)