

P-tec Corp. Tel:(800)688-0613  
 2405 Commerce Circle Tel:(719) 589 3122  
 Alamosa Co. 81101 Fax:(719) 589 3592  
 www.p-tec.net sales@p-tec.net



## PD46 Four Digit 7 Segment 0.56" Display

### Features

- \*4 Digit .56" (14.22mm) Red Display
- \*Multiplex Drive with 12 Pins
- \*Low Current Requirements
- \*High Light Output
- \*IC Compatible
- \*High Reliability
- \*Gray Face, White Segments
- \*RoHS Compliant

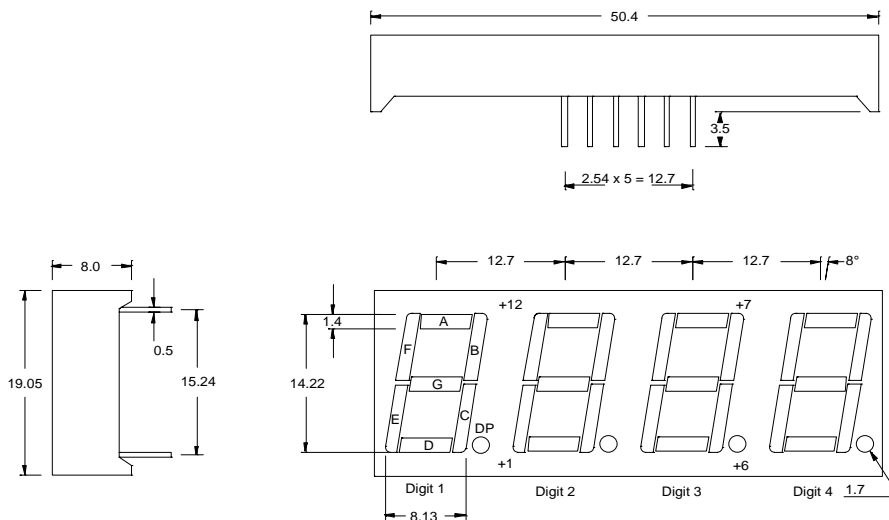
### Absolute Maximum Ratings at $T_A = 25^\circ\text{C}$

Power Dissipation.....	90mW
Reverse Voltage (<100 $\mu\text{A}$ ).....	5.0V
Max Forward Current.....	30mA
Peak Forward Current (1/10 Duty Cycle, 0.1ms Pulse Width).....	100mA
Operating Temperature Range.....	-25°C to +85°C
Storage Temperature Range.....	-40°C to +100°C
Soldering Temperature (1.6mm below body).....	260° for 5 seconds

### Electrical & Optical Characteristics at $T_A = 25^\circ\text{C}$

Part Number		Emitting Color	Chip Material	Dominant Wave Length	Peak Wave Length	Forward Voltage @20mA (V)		Luminous Intensity @10mA (mcd)	
Common Anode	Common Cathode			nm	nm	Typ	Max	Min	Typ
PD46-CAMR24	PD46-CCMR24	Red	GaP	650	700	2.1	3.0	1.0	2.0

All Dimensions are in **Millimeters**. Tolerance is  $\pm 0.25\text{mm}$  unless otherwise specified. The Slope Angle of any Pin maybe  $\pm 5^\circ$  max.



### Function of Pin #

Com Anode Pin #	Com Cathode Pin #
1 Cathode E	1 Anode E
2 Cathode D	2 Anode D
3 Cathode DP	3 Anode DP
4 Cathode C	4 Anode C
5 Cathode G	5 Anode G
6 Digit 4	6 Digit 4
Common Anode	Common Cathode
7 Cathode B	7 Anode B
8 Digit 3	8 Digit 3
Common Anode	Common Cathode
9 Digit 2	9 Digit 2
Common Anode	Common Cathode
10 Cathode F	10 Anode F
11 Cathode A	11 Anode A
12 Digit 1	12 Digit 1
Common Anode	Common Cathode

02-21-07 Rev 0 RS