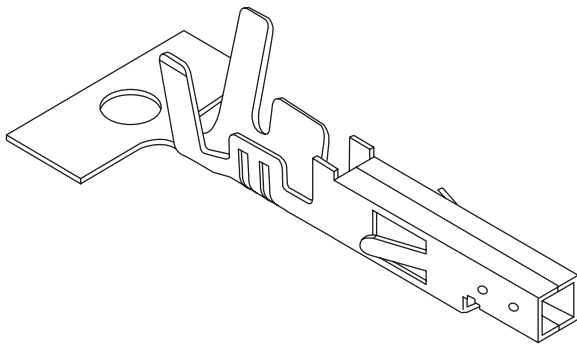


4.20mm (0.165") PITCH CONNECTOR

Wire-to-Board
Crimp Terminal

SMT420

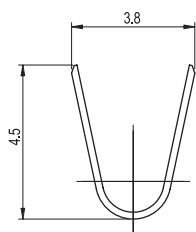
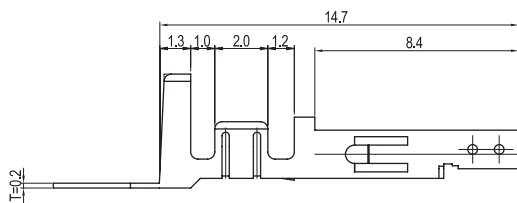
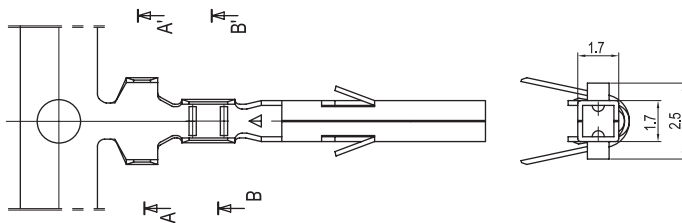


Material

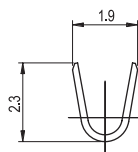
I/NO	DESCRIPTION	TITLE	AWG	MATERIAL	FINISH
1	TERMINAL	SMT420	#16~#20	Brass	Tin-Plated

Specification

ITEM	SPEC
Voltage Rating	AC/DC 600V
Current Rating	AC/DC 9A
Operating Temperature	-25°C~+85°C
Contact Resistance	30mΩ MAX
Withstanding Voltage	AC1500V/1min
Insulation Resistance	1000MΩ MIN
Applicable Wire	AWG #16~#20
Applicable P.C.B	-
Applicable FPC/FFC	-
Solder Height	-
Crimp Tensile Strength	AWG #16 : 8.0kgfMIN AWG #18 : 7.0kgfMIN AWG #20 : 6.0kgfMIN
UL FILE NO	-



SECTION A-A'



SECTION B-B'