

S.T K 7 3 5 8

Thick Film Hybrid IC

TENTATIVE

Case Outline : 15 pins (See attached drawing.)

Function : Offline Switching Regulator

Use : Color TV power supply

Features : Self oscillation type

**Absolute Maximum Ratings at Ta=25°C**

			unit
AC Input Voltage	V <sub>AC</sub>	0 to 280	V <sub>rms</sub>
Maximum Output Power	W <sub>omax</sub>	80	W
		(V <sub>AC</sub> 150 to 280V) 100	W
Operating Temperature	T <sub>opg</sub>	-10 to +65	°C
Storage Temperature	T <sub>stg</sub>	-30 to +105	°C
Operating Case Temperature	T <sub>Cmax</sub>	105	°C
Thermal Resistance	θ <sub>J-c</sub>	1.6	°C/W
Junction Temperature	T <sub>jmax</sub>	150	°C

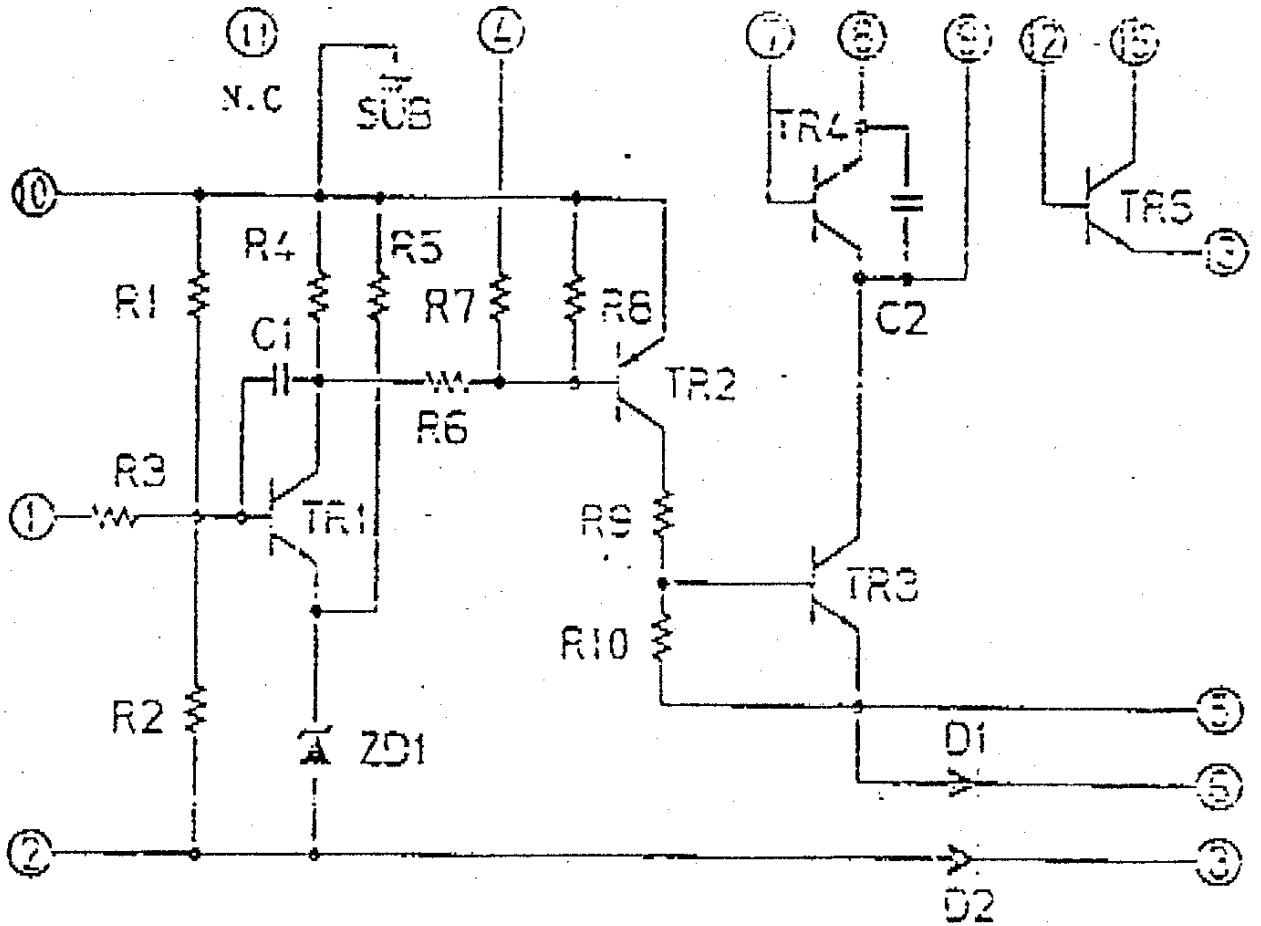
**Electrical Characteristics at Ta=25°C, See specified test circuit.**

		min	typ	max	unit
Output Voltage Setting	V <sub>AC</sub> =200V, I <sub>o</sub> =0.3A	114	115	116	V
Line Regulation	V <sub>AC</sub> =85 to 280V, I <sub>o</sub> =0.5A		0.4	1.0	V
Load Regulation	V <sub>AC</sub> =200V, I <sub>o</sub> =0.3 to 0.7A		1.0	1.5	V
Input Voltage	V <sub>AC</sub> =200V, I <sub>o</sub> =0.7A		103	106	W
Output Ripple Voltage	V <sub>AC</sub> =200V, I <sub>o</sub> =0.7A		0.4	0.6	V <sub>pp</sub>
Temperature Coefficient	V <sub>AC</sub> =200V, I <sub>o</sub> =0.7A		7		mV/°C
Light Load Characteristic	V <sub>AC</sub> =200V, R <sub>L</sub> =4.7kohm		125	135	V

These specifications are subject to change without notice.

**TOKYO SANYO ELECTRIC CO., LTD. SEMICONDUCTOR DIVISION**  
 15-13, 6-CHOME, SOTOKANDA, CHIYODA-KU, TOKYO 101 JAPAN

# Internal Equivalent Circuit (STK7358)



Case Outline

unit:mm

