

# STK4145MK2 Series

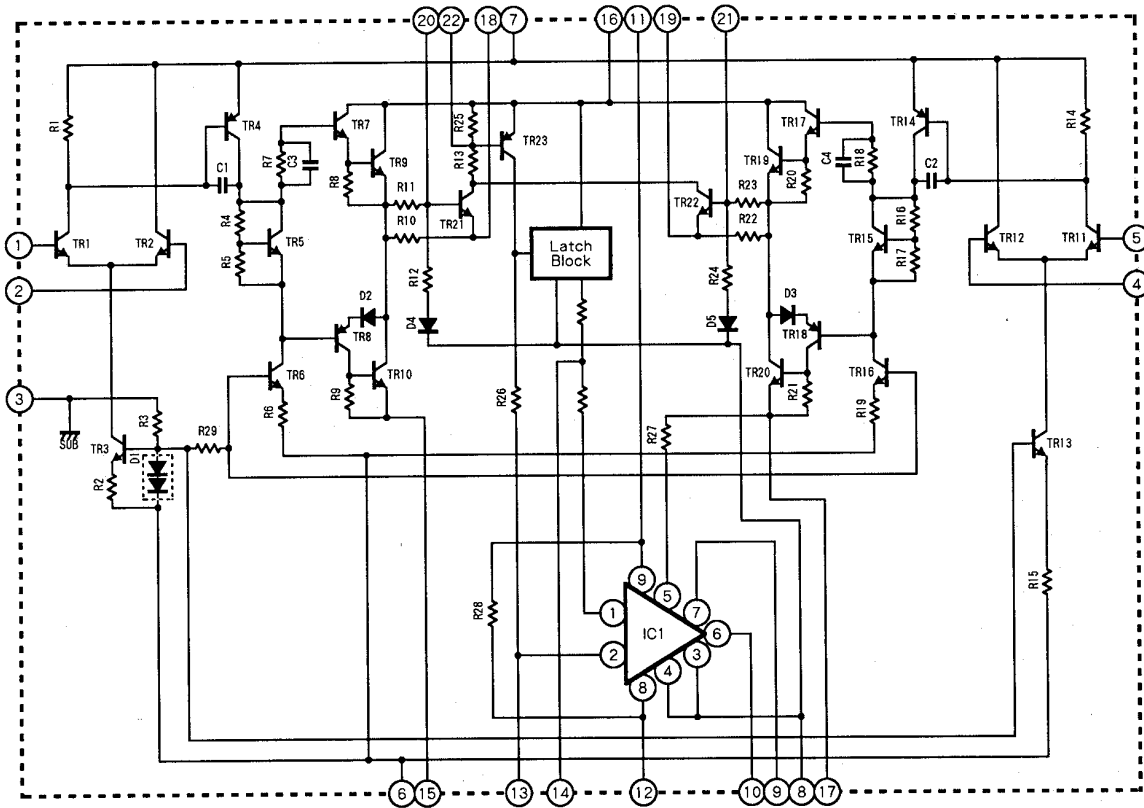
- ★2ch./1package,  $\pm$  Power Supply
- ★Built-in Latch-type Protection
- ★25W/ch.  $\sim$  100W/ch.
- ★THD = 0.4%

Model	Maximum Ratings 最大定格	Recommended Operating Conditions 推奨動作条件		Operating Characteristics (Recommend Operating Conditions at Test Circuit) 動作特性(Test Circuitにて 推奨動作条件による)			
		Vcc max [V]	Vcc [V]		Po max 1 RL=8 $\Omega$ f=20 $\sim$ 20kHz [W]	THD (V <sub>G</sub> =40dB) [%]	Po max 2 RL=4 $\Omega$ f=1kHz [W]
	RL=8 $\Omega$		RL=4 $\Omega$				
*STK4145MK2	$\pm 40.0$	$\pm 27.0$	$\pm 22.0$	25 + 25	0.4	25 + 25	1.0
STK4155MK2	$\pm 42.0$	$\pm 28.0$	$\pm 25.0$	30 + 30	0.4	35 + 35	1.0
*STK4165MK2	$\pm 45.0$	$\pm 30.5$	$\pm 26.5$	35 + 35	0.4	40 + 40	1.0
STK4175MK2	$\pm 48.0$	$\pm 32.0$	$\pm 28.0$	40 + 40	0.4	45 + 45	1.0
*STK4185MK2	$\pm 50.0$	$\pm 33.5$	$\pm 30.0$	45 + 45	0.4	50 + 50	1.0
STK4195MK2	$\pm 52.5$	$\pm 35.0$	$\pm 32.0$	50 + 50	0.4	55 + 55	1.0
*STK4205MK2	$\pm 55.0$	$\pm 38.5$	-	60 + 60	0.4	-	-
*STK4215MK2	$\pm 60.0$	$\pm 42.0$	-	70 + 70	0.4	-	-
*STK4225MK2	$\pm 65.0$	$\pm 45.0$	-	80 + 80	0.4	-	-
*STK4235MK2	$\pm 75.0$	$\pm 51.0$	-	100 + 100	0.4	-	-

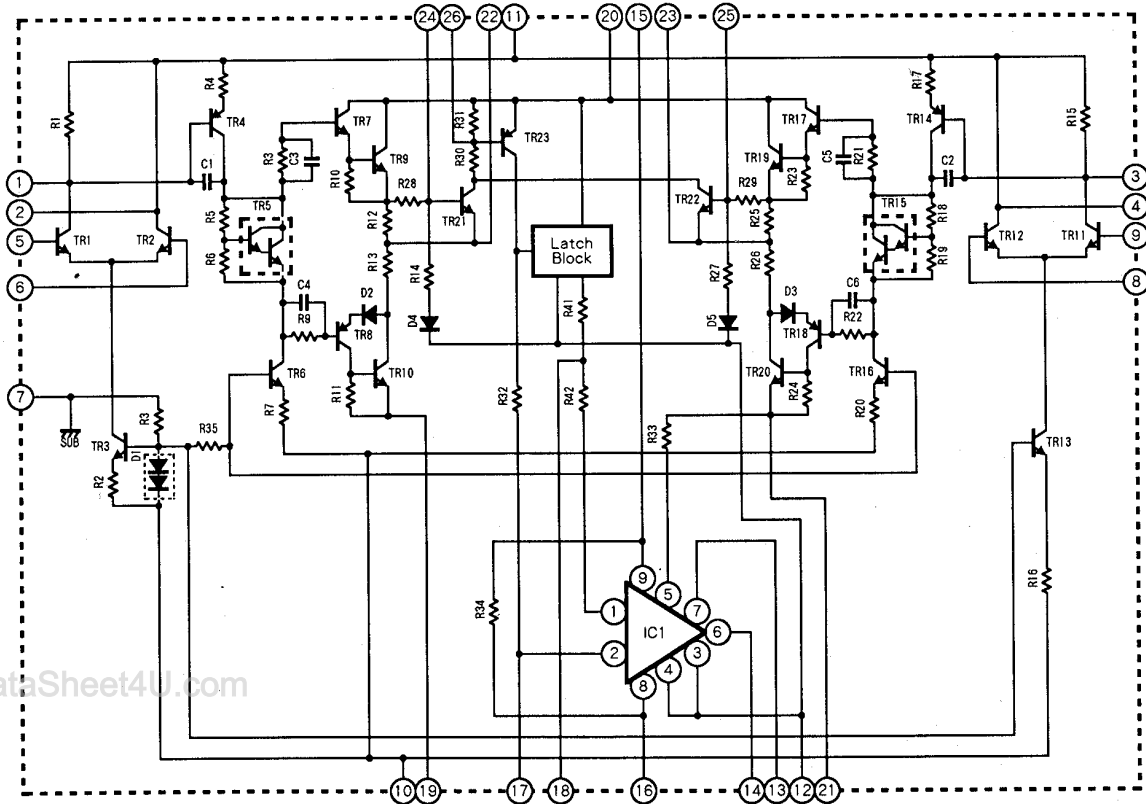
\* Under mass production

■ Equivalent Circuit

① STK4145MK2 ~ STK4195MK2



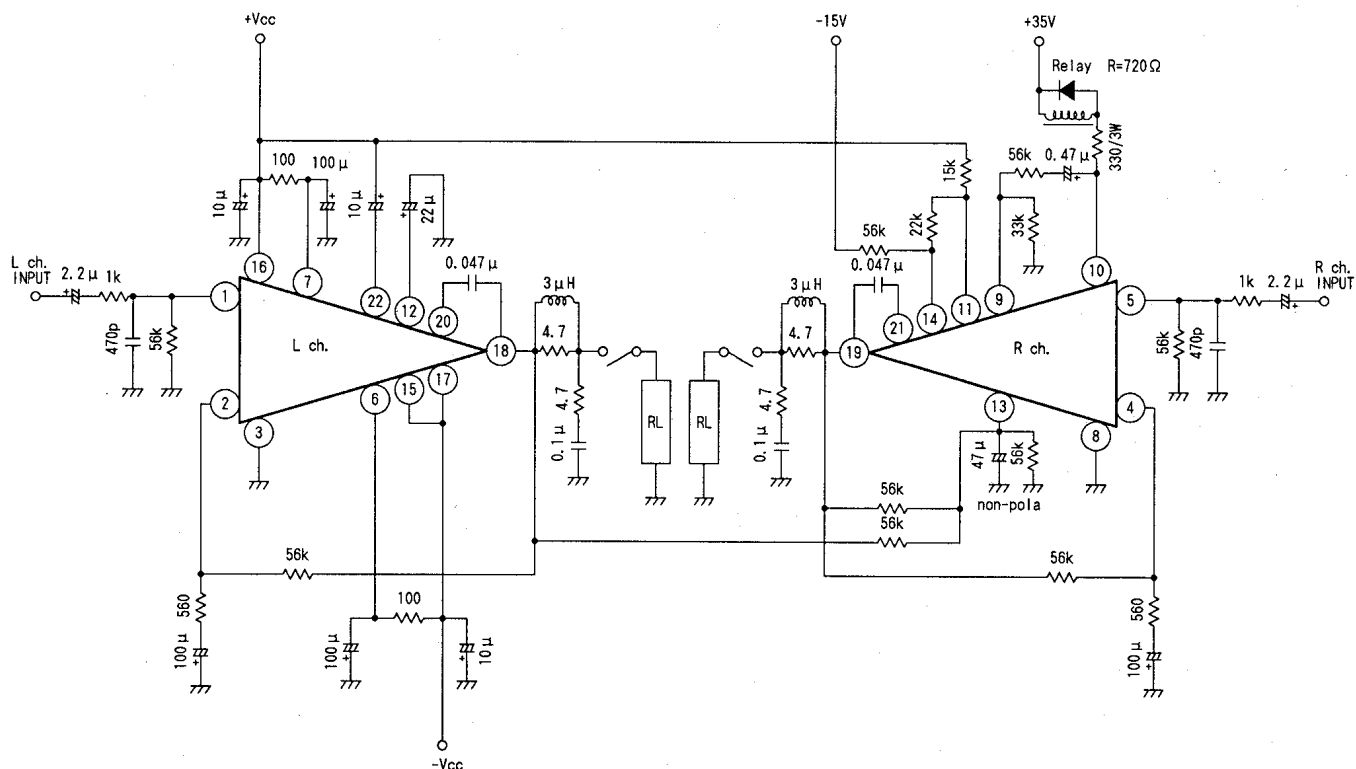
② STK4205MK2 ~ STK4235MK2



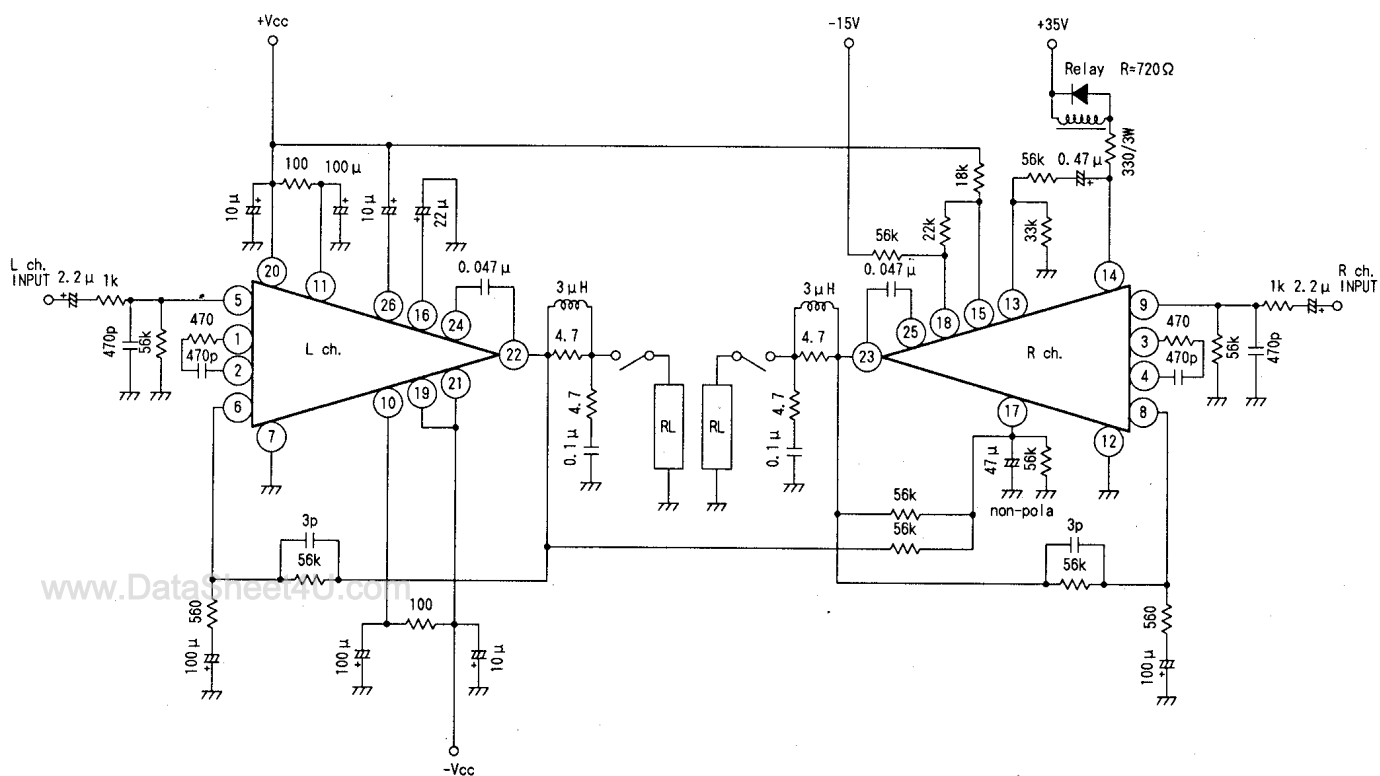
www.DataSheet4U.com

■ Test Circuit

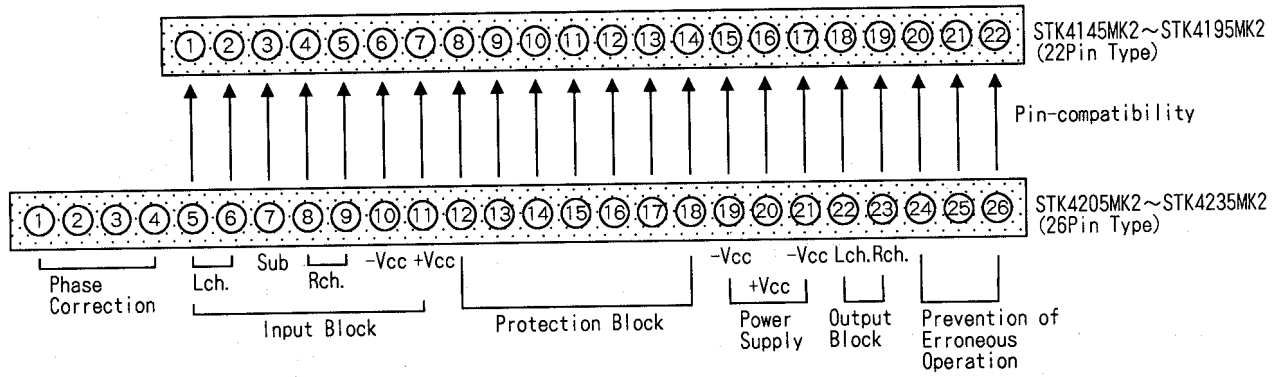
Ⓐ STK4145MK2 ~ STK4195MK2



Ⓑ STK4205MK2 ~ STK4235MK2

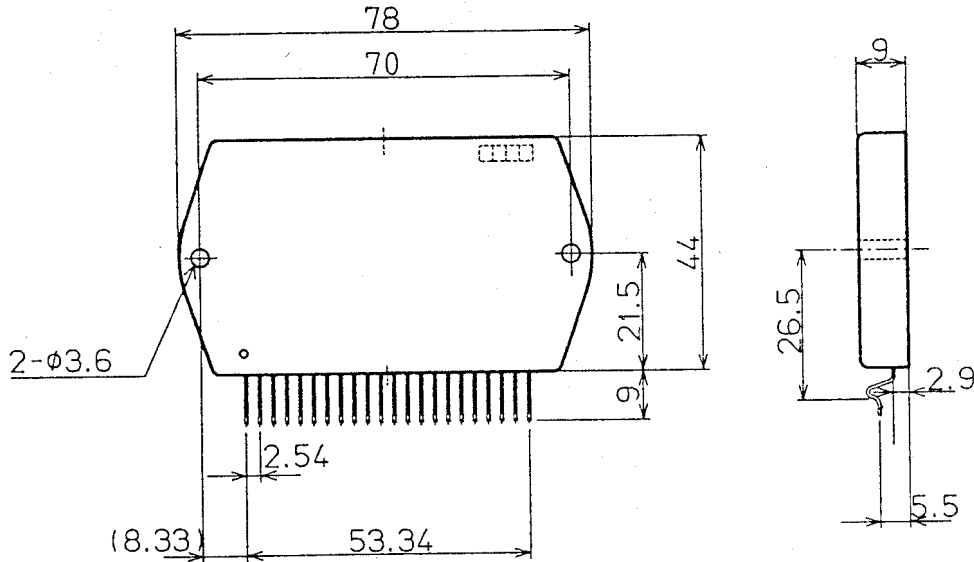


■ Pin – compatibility



■ Case Outline

① STK4145MK2 ~ STK4195MK2



② STK4205MK2 ~ STK4235MK2

