

2-Channel Audio Processor IC

PT2315

DESCRIPTION

PT2315 is a two-channel digital audio processor utilizing CMOS Technology. Volume, Bass, Treble and Balance Controls are incorporated into a single chip. Loudness Function is also provided to build a highly effective electronic audio processor having the highest performance and reliability with the least external components. All functions are programmable using the I²C Bus. The pin assignments and application circuit are optimized for easy PCB layout and cost saving advantage for audio application. Housed in a 20-pin DIP/SO Package, PT2315 is pin-to-pin compatible with TDA7315 and is very similar in performance with the later.

FEATURES

- CMOS Technology
- Least External Components
- Treble and Bass Control
- Loudness Function
- Input/Output for External Noise Reduction System/Equalizer
- 2 Independent Speaker Controls for Balance Function
- Independent Mute Function
- Volume Control in 1.25 dB/step
- Low Distortion
- Low Noise and DC Stepping
- Controlled by I²C Bus Micro-Processor Interface
- Pin-to-pin Compatible with TDA7315

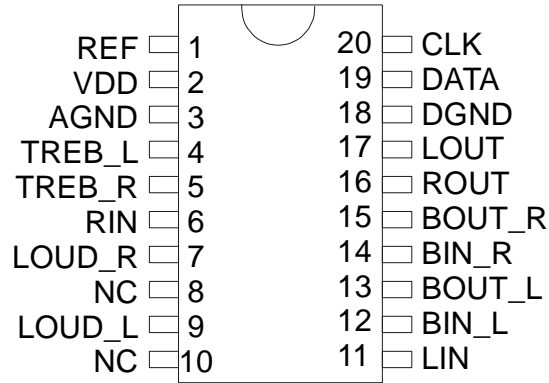
APPLICATIONS

- Car Stereo (Audio)
- Hi-Fi Audio System
- Can be used in all I²C System Applications

Note: Purchase of I2C Component of Princeton Technology Corporation (PTC) conveys a license under Philips I2C Patent Right to use these components in any I2C System, provided that the system conforms to the I2C Standard Specification defined by Philips

2-Channel Audio Processor IC **PT2315**

PIN CONFIGURATION

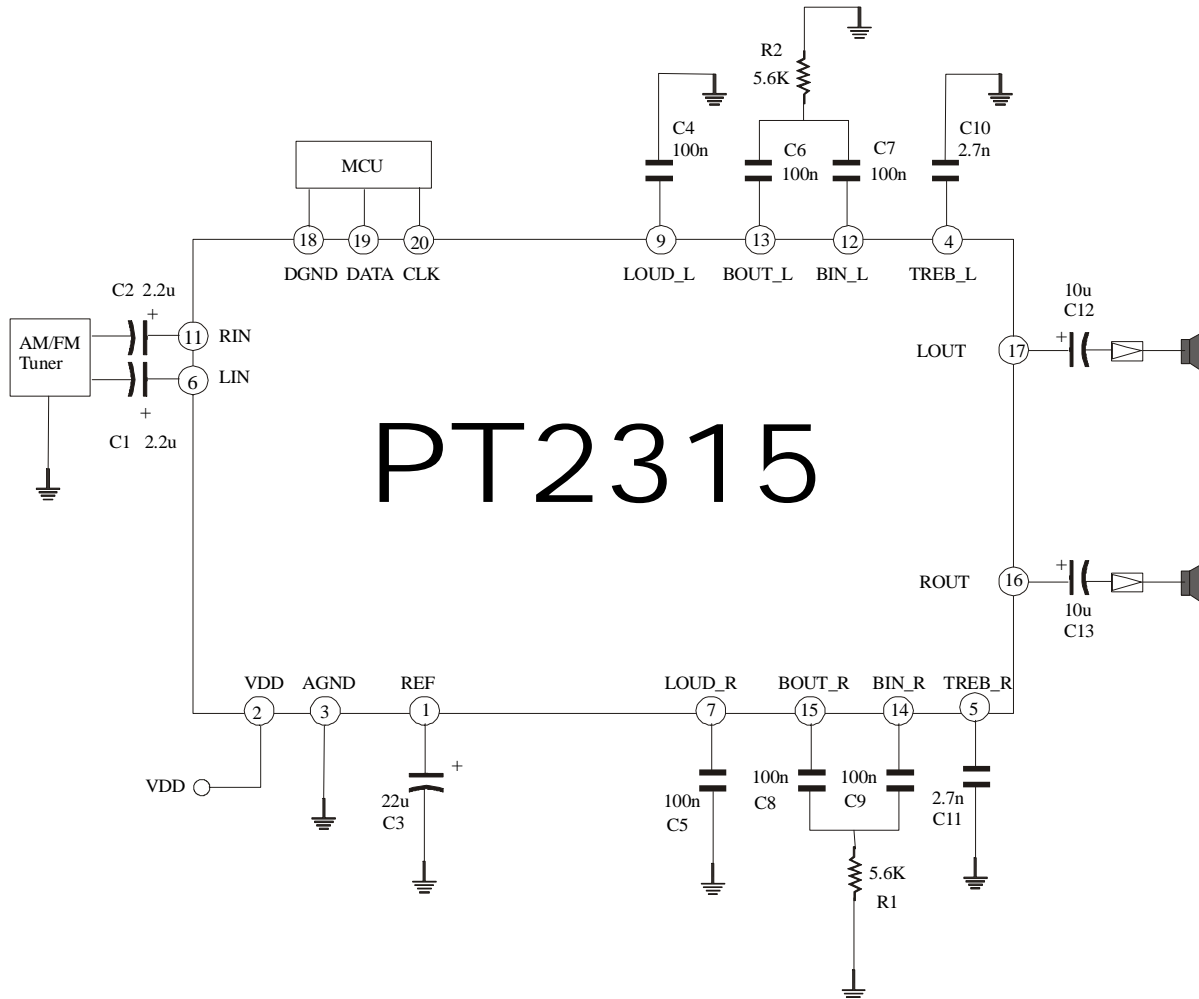


PT2315

Downloaded from Elcodis.com electronic components distributor

2-Channel Audio Processor IC **PT2315**

APPLICATION CIRCUIT



ORDER INFORMATION

Valid Part Number	Package Type
PT2315-D	20 Pins, DIP (300 mil)
PT2315	20 Pins, SO (300 mil)

Downloaded from Elcodis.com electronic components distributor