

# STK4100MK5 Series

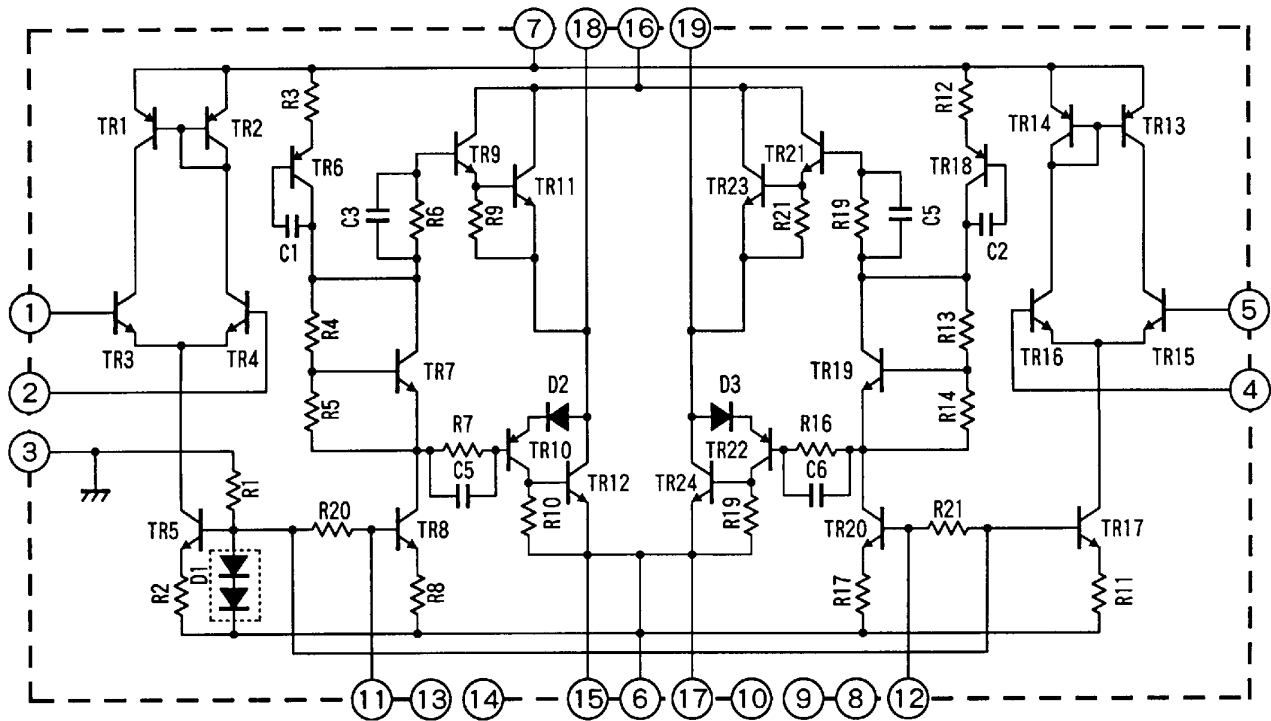
★2ch./1package, ± Power Supply  
 ★6W/ch. ~ 100W/ch.  
 ★THD = 0.08%

| Model       | Maximum Ratings<br>最大定格 | Recommended<br>Operating Conditions<br>推奨動作条件 |            | Operating Characteristics<br>(Recommend Operating Conditions<br>at Test Circuit)<br>動作特性 (Test Circuitにて<br>推奨動作条件による) |  |                         |                                    |
|-------------|-------------------------|---|------------|--|--|-------------------------|------------------------------------|
|             |                         | Vcc max<br>[V]                                | Vcc<br>[V] |  | Po max 1<br>RL=8Ω<br>f=20~<br>20kHz<br>[W] | THD<br>(Vc=40dB)<br>[%] | Po max 2<br>RL=4Ω<br>f=1kHz<br>[W] |
|             | RL=8Ω                   |   | RL=4Ω      |  |  |                         |                                    |
| STK4100MK5  | ±21.0                   | ±14.0   | ±12.5      | 6 + 6  | 0.08                                       | 6 + 6                   | 0.2                                |
| STK4110MK5  | ±27.0                   | ±18.0   | ±14.5      | 10 + 10  | 0.08                                       | 10 + 10                 | 0.2                                |
| *STK4120MK5 | ±32.0                   | ±21.5   | ±18.0      | 15 + 15  | 0.08                                       | 15 + 15                 | 0.2                                |
| *STK4130MK5 | ±36.0                   | ±24.5   | ±21.5      | 20 + 20  | 0.08                                       | 20 + 20                 | 0.2                                |
| STK4140MK5  | ±40.5                   | ±27.0   | ±24.0      | 25 + 25  | 0.08                                       | 25 + 25                 | 0.2                                |
| STK4150MK5  | ±42.0                   | ±28.5   | ±25.0      | 30 + 30  | 0.08                                       | 35 + 35                 | 0.2                                |
| STK4160MK5  | ±46.0                   | ±30.5   | ±26.5      | 35 + 35  | 0.08                                       | 40 + 40                 | 0.2                                |
| STK4170MK5  | ±49.0                   | ±32.5   | ±28.0      | 40 + 40  | 0.08                                       | 45 + 45                 | 0.2                                |
| STK4180MK5  | ±51.0                   | ±34.0   | ±30.0      | 45 + 45  | 0.08                                       | 50 + 50                 | 0.2                                |
| STK4190MK5  | ±53.0                   | ±35.5   | ±32.0      | 50 + 50  | 0.08                                       | 55 + 55                 | 0.2                                |
| STK4200MK5  | ±57.0                   | ±39.0   | -          | 60 + 60  | 0.08                                       | -                       | -                                  |
| STK4210MK5  | ±62.0                   | ±43.0   | -          | 70 + 70  | 0.08                                       | -                       | -                                  |
| STK4220MK5  | ±65.0                   | ±45.0   | -          | 80 + 80  | 0.08                                       | -                       | -                                  |
| STK4230MK5  | ±75.0                   | ±51.0   | -          | 100 + 100  | 0.08                                       | -                       | -                                  |

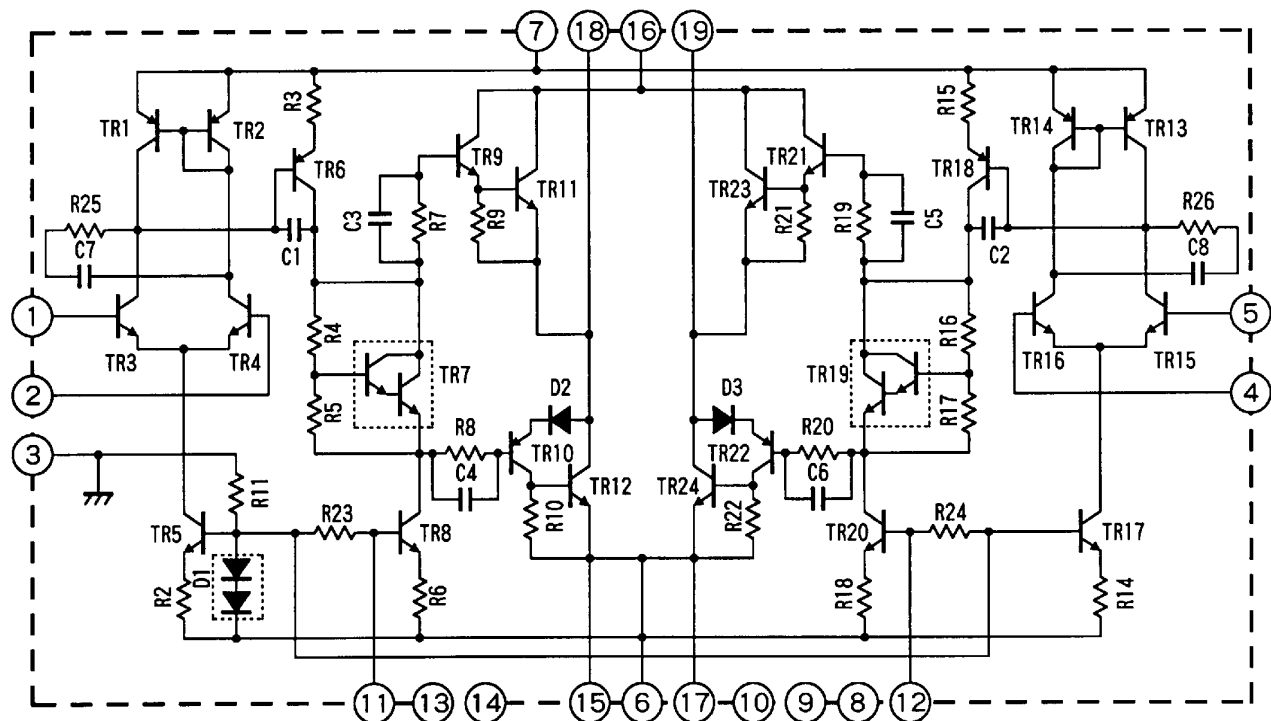
\* Under mass production

■ Equivalent Circuit

① STK4100MK5 ~ STK4190MK5

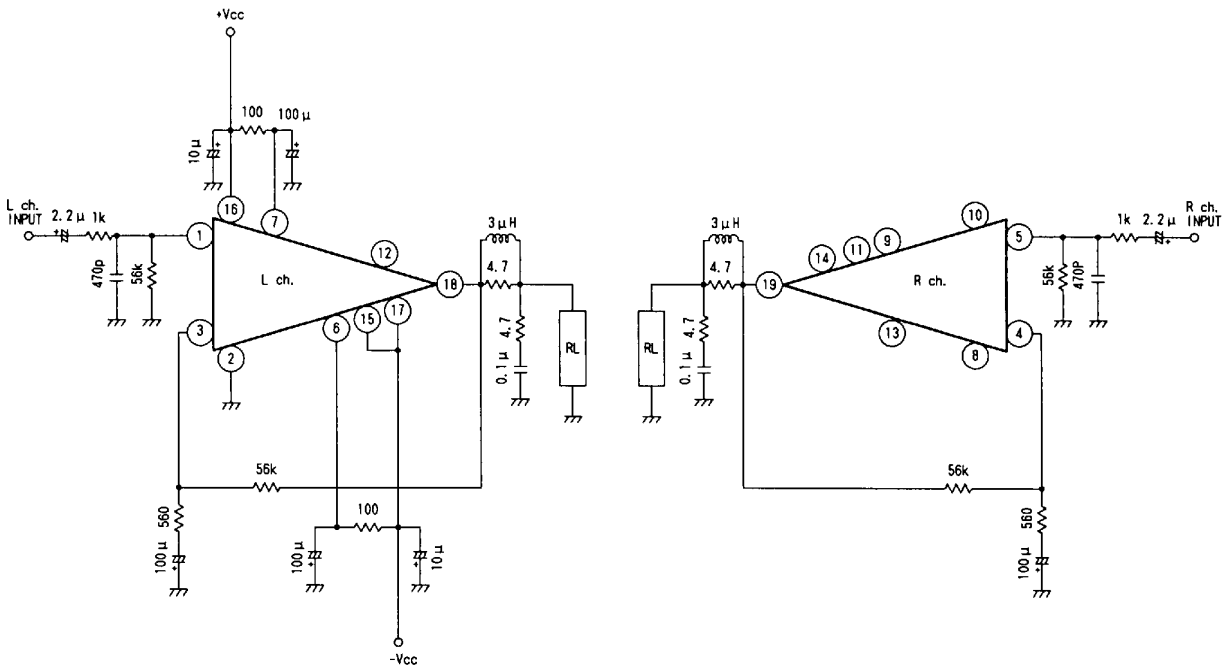


② STK4200MK5 ~ STK4230MK5

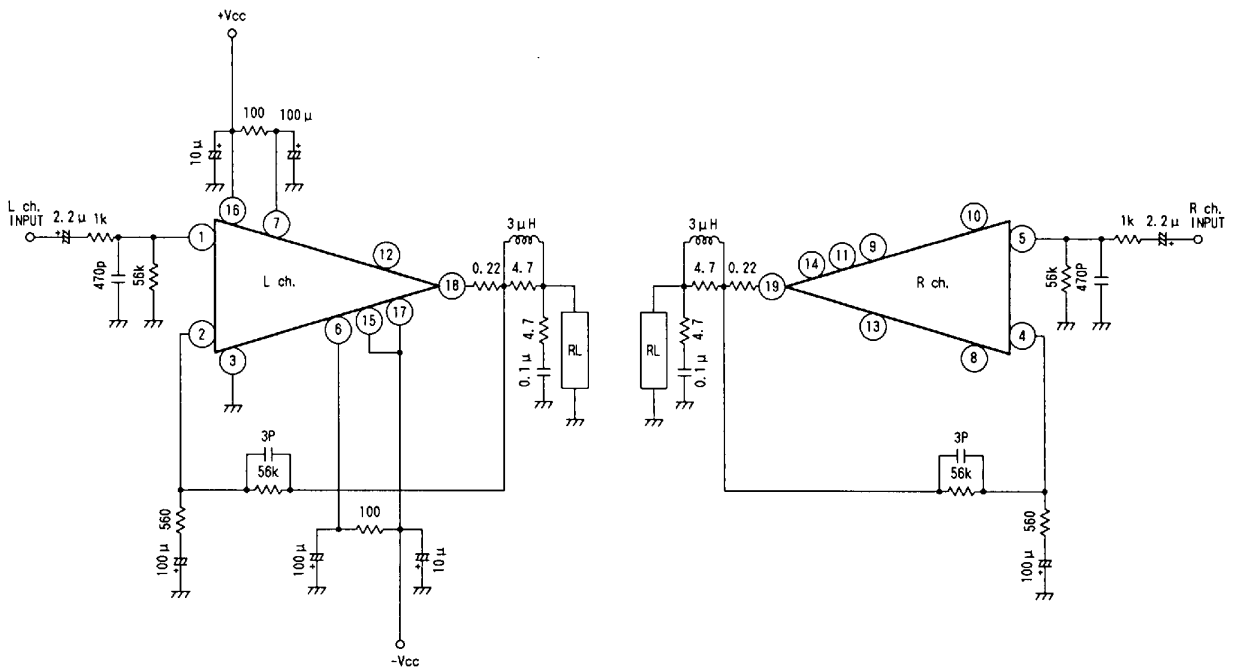


■ Test Circuit

① STK4100MK5 ~ STK4190MK5

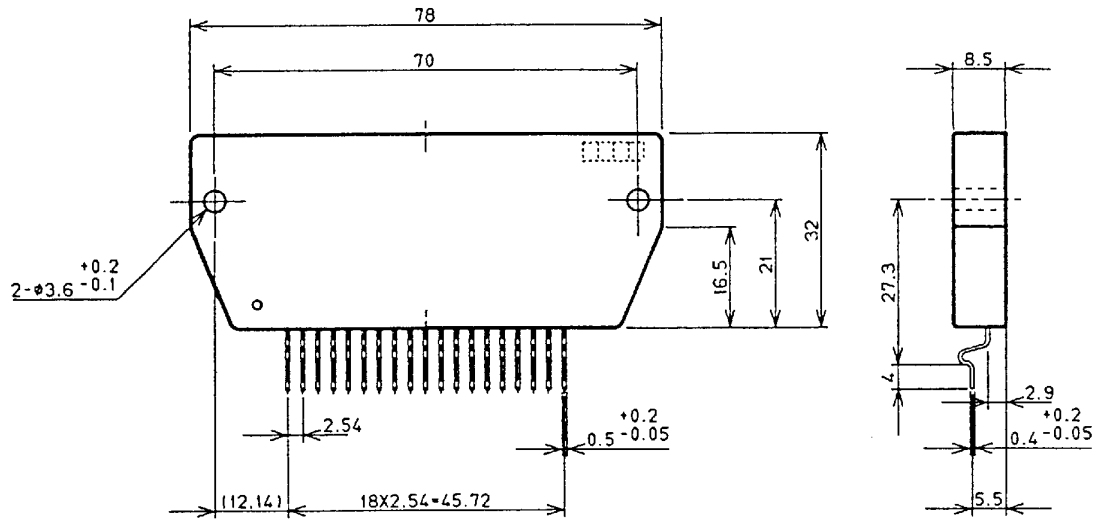


② STK4200MK5 ~ STK4230MK5



■ Case Outline

Ⓐ STK4100MK5 ~ STK4190MK5



Ⓑ STK4200MK5 ~ STK4230MK5

