

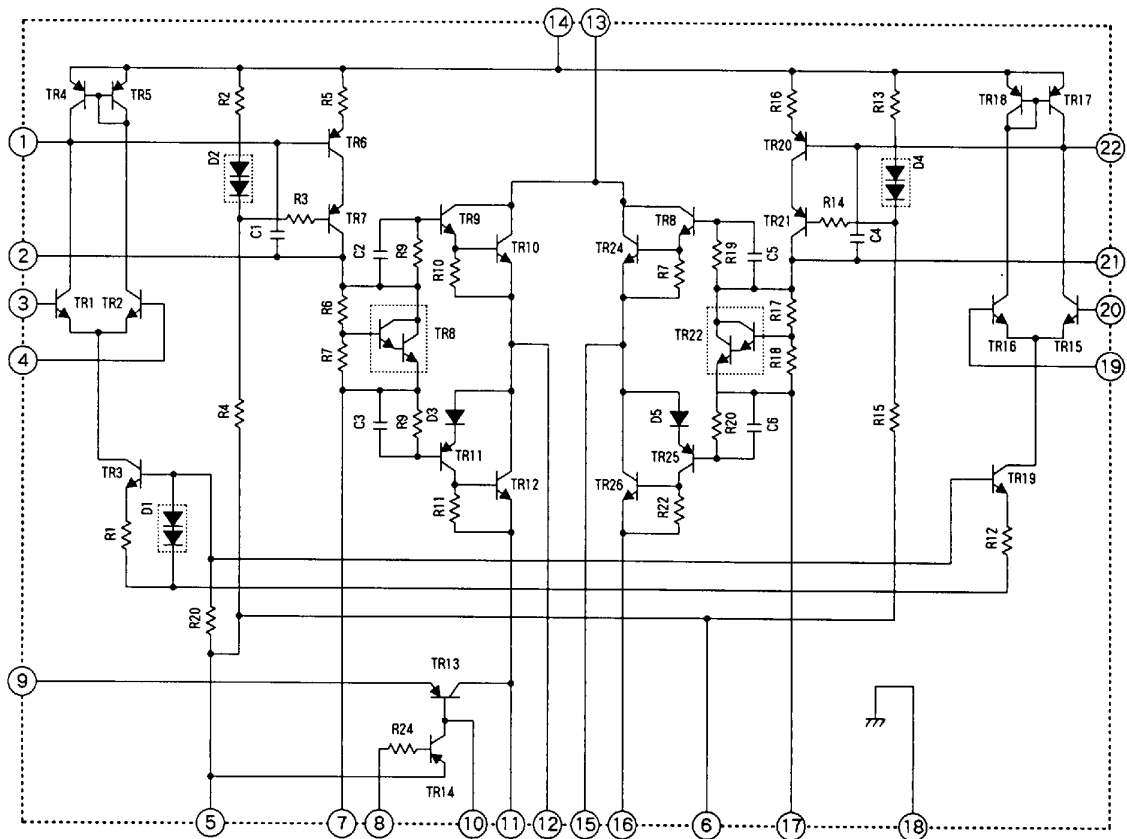
# STK4141 X Series

- ★2ch./1package, ± Power Supply
- ★Built-in Muting Circuit
- ★25W/ch. ~ 70W/ch.
- ★THD = 0.02%

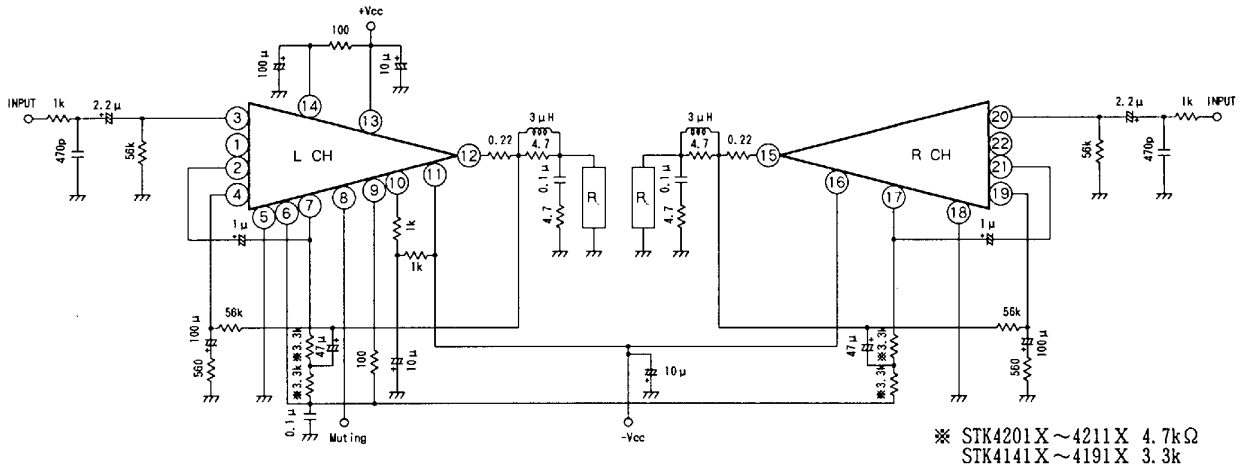
| Model      | Maximum Ratings<br>最大定格 | Recommended<br>Operating Conditions<br>推奨動作条件 |       | Operating Characteristics<br>(Recommend Operating Conditions<br>at Test Circuit)<br>動作特性(Test Circuitにて<br>推奨動作条件による) |                                      |                                    |                                      |
|------------|-------------------------|---|-------|---|--------------------------------------|------------------------------------|--------------------------------------|
|            | Vcc max<br>(V)          | Vcc<br>(V)                                    |       | Po max 1<br>RL=8Ω<br>f=20~<br>20kHz<br>(W)  | THD<br>(V <sub>G</sub> =40dB)<br>(%) | Po max 2<br>RL=4Ω<br>f=1kHz<br>(W) | THD<br>(V <sub>G</sub> =40dB)<br>(%) |
|            |                         | RL=8Ω   | RL=4Ω |   |                                      |                                    |                                      |
| *STK4141 X | ±41.0                   | ±27.5   | ±24.5 | 25 + 25   | 0.02                                 | 25 + 25                            | 0.08                                 |
| *STK4151 X | ±42.5                   | ±29.0   | ±25.5 | 30 + 30   | 0.02                                 | 35 + 35                            | 0.08                                 |
| STK4161 X  | ±46.5                   | ±31.0   | ±27.0 | 35 + 35   | 0.02                                 | 40 + 40                            | 0.08                                 |
| *STK4171 X | ±49.5                   | ±33.0   | ±28.5 | 40 + 40   | 0.02                                 | 45 + 45                            | 0.08                                 |
| STK4181 X  | ±51.5                   | ±34.5   | ±30.5 | 45 + 45   | 0.02                                 | 50 + 50                            | 0.08                                 |
| *STK4191 X | ±53.5                   | ±36.0   | ±32.5 | 50 + 50   | 0.02                                 | 55 + 55                            | 0.08                                 |
| *STK4201 X | ±57.5                   | ±39.5   | -     | 60 + 60   | 0.02                                 | -                                  | -                                    |
| *STK4211 X | ±62.5                   | ±43.5   | -     | 70 + 70   | 0.02                                 | -                                  | -                                    |

\* Under mass production

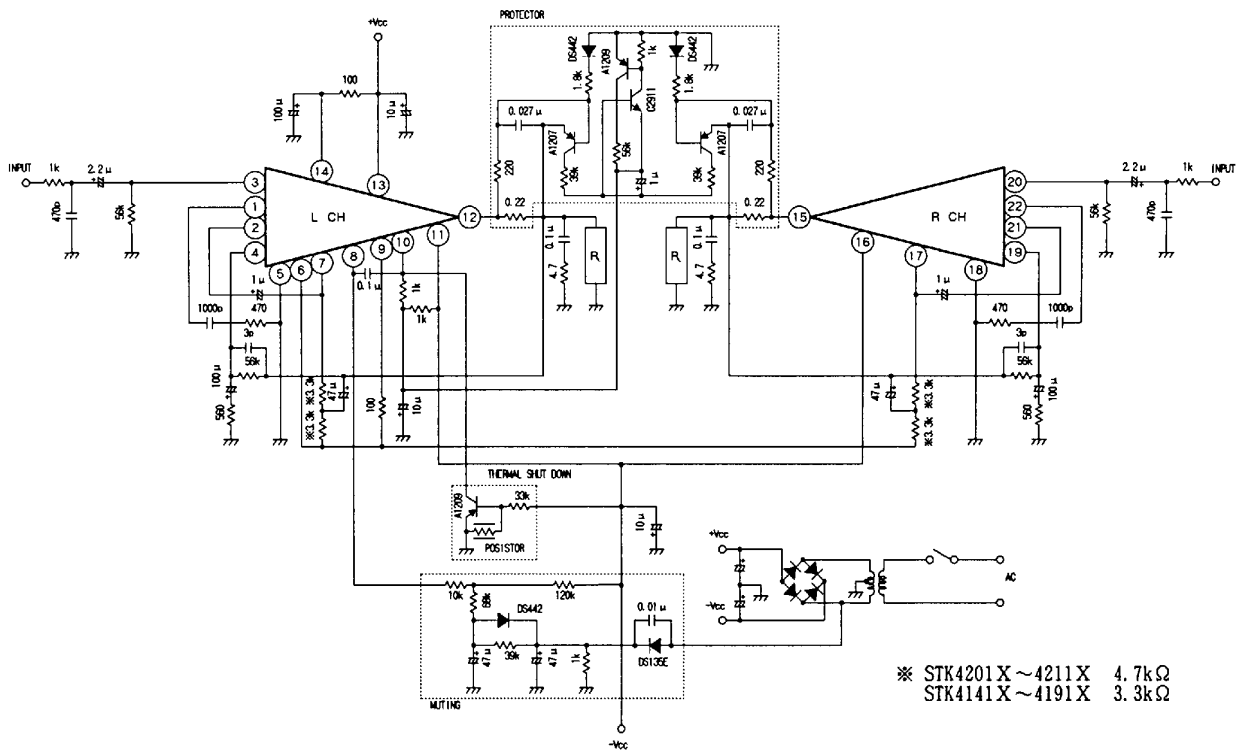
## Equivalent Circuit



■ Test Circuit



■ Application Circuit



■ Case Outline

