

## Overview

The STK392-110 is a convergence correction circuit IC for video projectors. It incorporates three output amplifiers in a single package, making possible the construction of CRT horizontal and vertical convergence correction output circuits for each of the RGB colors using just two hybrid ICs. The output circuits use a class-B configuration, in comparison with the STK392-010, realizing a more compact package and lower cost.

## Applications

- Video projectors

## Features

- 3 output amplifier circuits in a single package
- High maximum supply voltage ( $V_{CC}$  max =  $\pm 38V$ )
- Low thermal resistance ( $\theta_{j-c}$  =  $3.0^{\circ}C/W$ )
- High temperature stability ( $T_C$  max =  $125^{\circ}C$ )
- Separate predriver and output stage supplies
- Output stage supply switching for high-performance designs
- Low inrush current when power is applied

## Series Organization

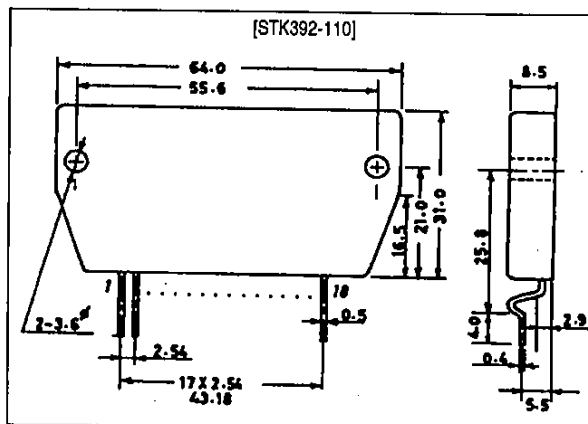
The following devices form a series with varying output capacity and application grade. Some of the devices below are under development, so contact your nearest sales representative for details.

Type No.	Maximum ratings			Maximum horizontal frequency $f_H$ max	Application grade
	$V_{CC}$ max	$I_C$ max	$\theta_{j-c}$		
STK392-110	$\pm 38V$	3A	$3.0^{\circ}C/W$	15kHz	General projection TVs
STK392-010	$\pm 38V$	5A	$2.6^{\circ}C/W$	15kHz	General projection TVs
STK392-020	$\pm 44V$	6A	$2.1^{\circ}C/W$	35kHz	HD, VGA
STK392-040	$\pm 50V$	7A	$1.8^{\circ}C/W$	100kHz	XGA, CAD, CAM
STK392-210	$\pm 65V$	8A	$1.5^{\circ}C/W$	130kHz	CAD, CAM
STK392-220	$\pm 75V$	10A	$1.3^{\circ}C/W$	160kHz	CAD, CAM

## Package Dimensions

unit: mm

4083



## Specifications

Maximum Ratings at  $T_a = 25^\circ\text{C}$

Parameter	Symbol	Conditions	Ratings	Unit
Maximum supply voltage	$V_{CC \text{ max}}$		$\pm 38$	V
Maximum collector current	$I_C$	Tr6, 7, 13, 14, 20, 21	3.0	A
Thermal resistance	$\theta_{j-c}$	Tr6, 7, 13, 14, 20, 21 (per transistor)	3.0	$^\circ\text{C/W}$
Junction temperature	$T_J$		150	$^\circ\text{C}$
Operating substrate temperature	$T_c$		125	$^\circ\text{C}$
Storage temperature	$T_{stg}$		-30 to +125	$^\circ\text{C}$

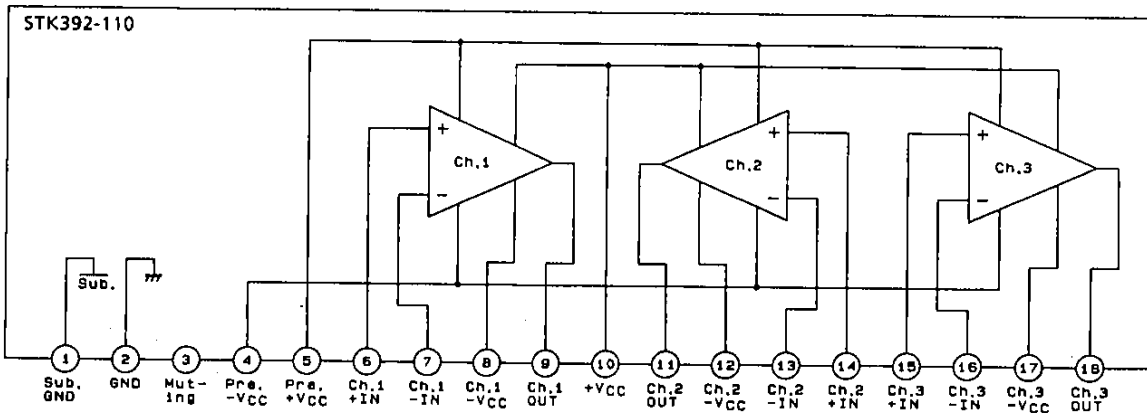
Operating Characteristics at  $T_a = 25^\circ\text{C}$ ,  $R_g = 50\Omega$ ,  $V_{CC} = \pm 30\text{V}$ , specified test circuit

Parameter	Symbol	Conditions	min	typ	max	Unit
Output noise voltage	$V_{ND}$		-	-	0.2	mVrms
Quiescent current	$I_{CCO}$		15	22	30	mA
Neutral voltage	$V_N$		-50	0	+50	mV
Output delay time	$t_D$	$f = 15.75\text{kHz}$ , triangular wave input, $V_{OUT} = 1.5\text{Vp-p}$	-	-	1	$\mu\text{s}$

Notes.

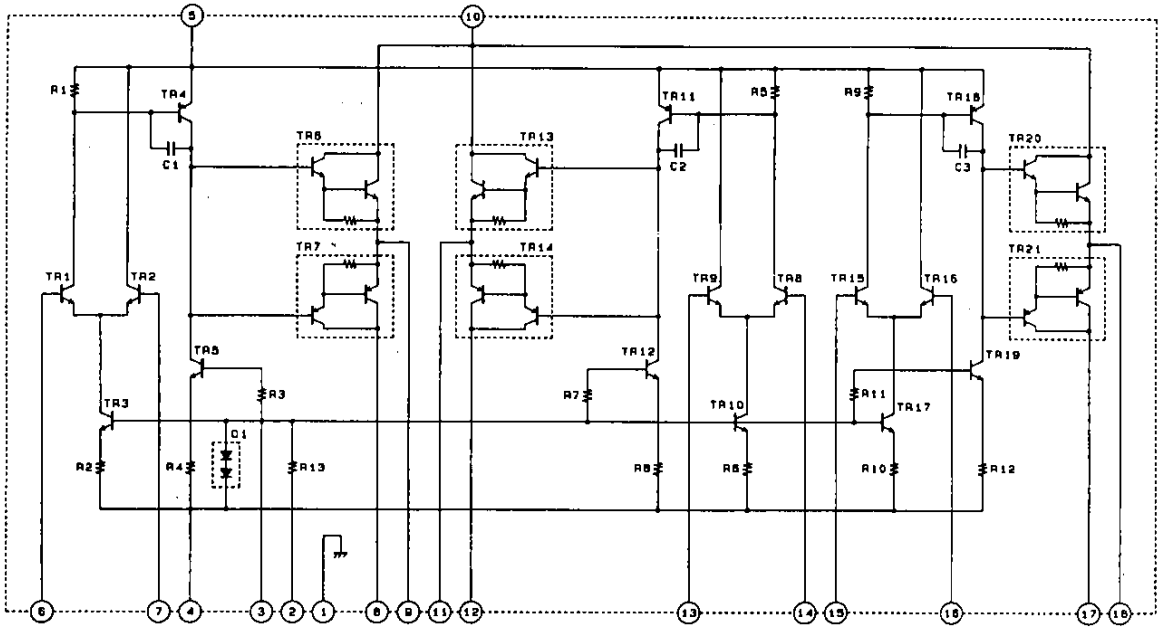
All tests are conducted using a constant-voltage regulated supply unless otherwise specified.  
The output noise voltage is the peak value of an average-reading meter with an rms value scale (VTVM).

## Block Diagram



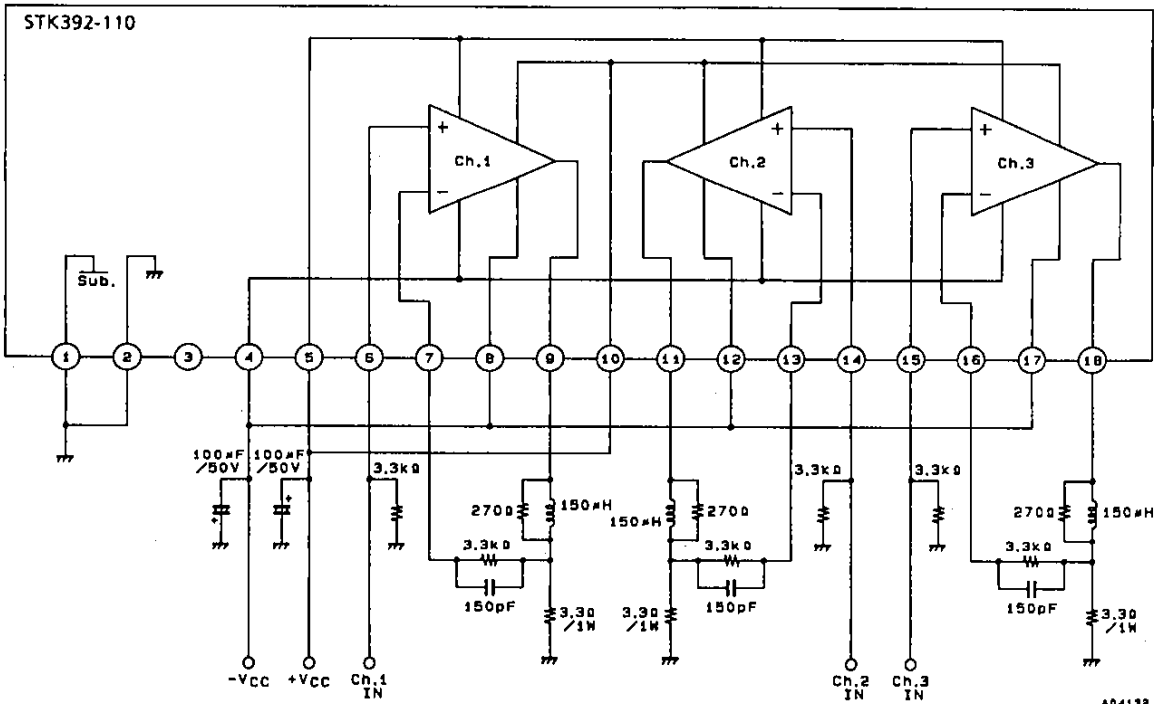
A04130

Equivalent Circuit



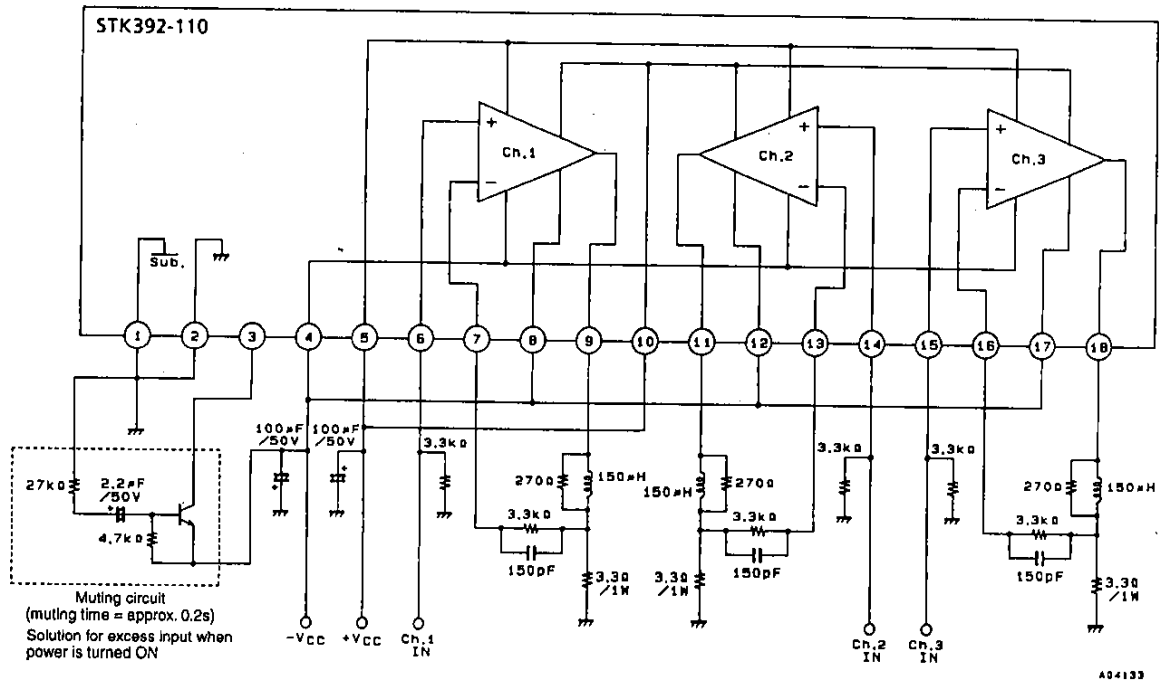
A04131

Test Circuit



A04132

Sample Application Circuit



- No products described or contained herein are intended for use in surgical implants, life-support systems, aerospace equipment, nuclear power control systems, vehicles, disaster/crime-prevention equipment and the like, the failure of which may directly or indirectly cause injury, death or property loss.
- Anyone purchasing any products described or contained herein for an above-mentioned use shall:
  - ① Accept full responsibility and indemnify and defend SANYO ELECTRIC CO., LTD., its affiliates, subsidiaries and distributors and all their officers and employees, jointly and severally, against any and all claims and litigation and all damages, cost and expenses associated with such use:
  - ② Not impose any responsibility for any fault or negligence which may be cited in any such claim or litigation on SANYO ELECTRIC CO., LTD., its affiliates, subsidiaries and distributors or any of their officers and employees, jointly or severally.
- Information (including circuit diagrams and circuit parameters) herein is for example only; it is not guaranteed for volume production. SANYO believes information herein is accurate and reliable, but no guarantees are made or implied regarding its use or any infringements of intellectual property rights or other rights of third parties.

This catalog provides information as of August, 1995. Specifications and information herein are subject to change without notice.