

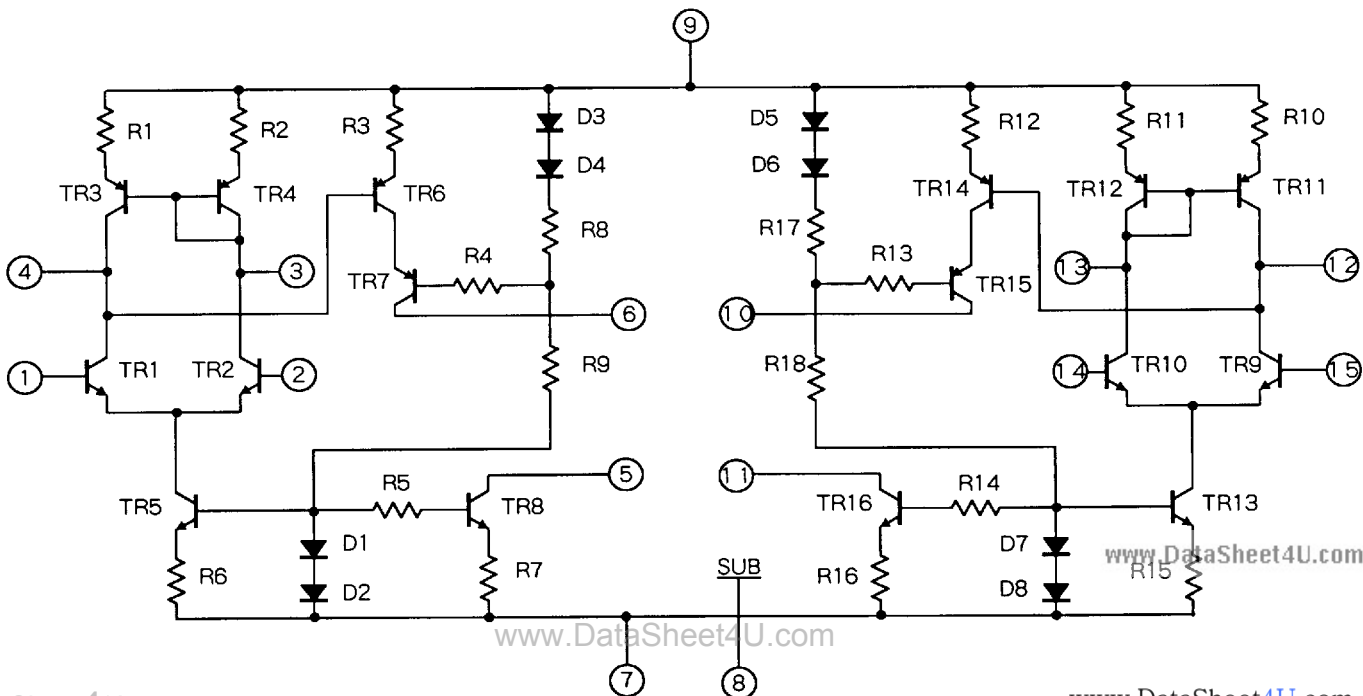
# STK3042 III Series

- ★2ch./1package,  $\pm$  Power Supply
- ★Voltage Amplifier
- ★THD = 0.005%

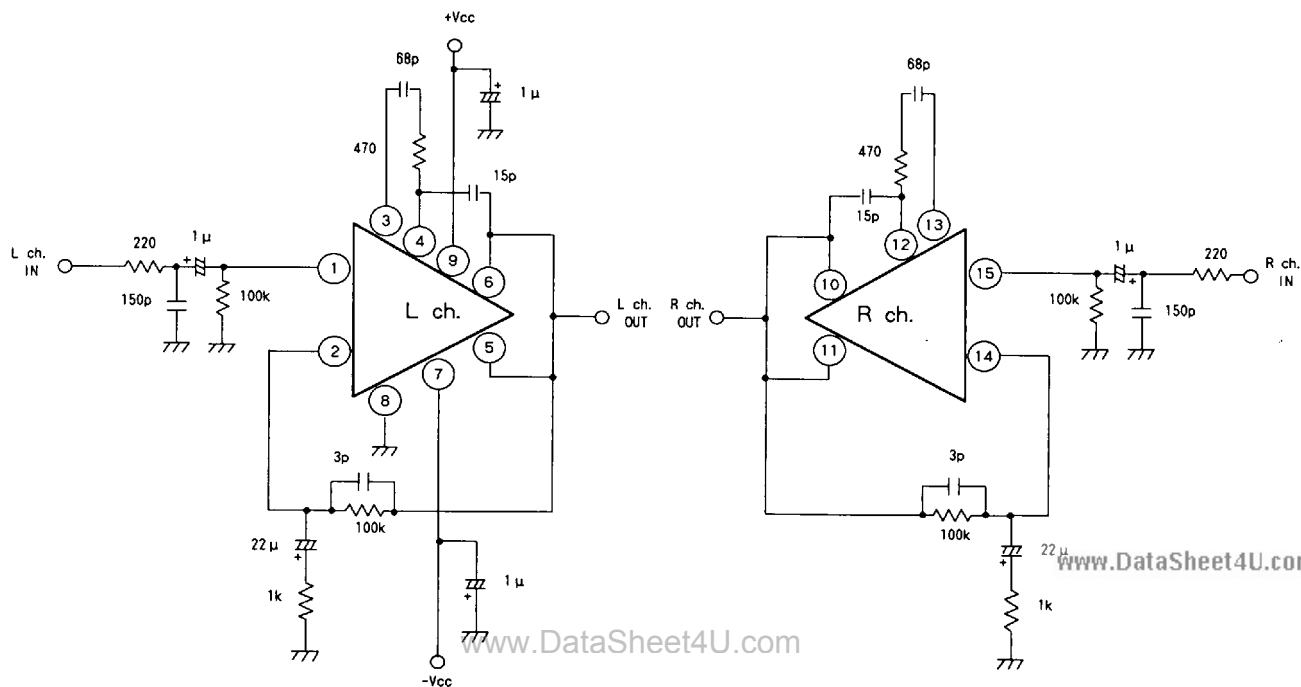
Model	Maximum Ratings 最大定格	Recommended Operating Conditions 推奨動作条件 [V]	Operating Characteristics (Recommend Operating Conditions at Test Circuit) 動作特性 (Test Circuitにて 推奨動作条件による)	
	Vcc max [V]	Vcc [V]	Po max R <sub>L</sub> =8 $\Omega$ f=20~20kHz [W]	THD (V <sub>G</sub> =40dB) [%]
*STK3042III	$\pm 55$	$\pm 36$	40 ~ 60	0.005
*STK3062III	$\pm 59$	$\pm 41$	60 ~ 80	0.005
*STK3082III	$\pm 65$	$\pm 47$	80 ~ 90	0.005
*STK3102III	$\pm 75$	$\pm 50$	90 ~ 100	0.005
*STK3122III	$\pm 80$	$\pm 55$	100 ~ 120	0.005
*STK3152III	$\pm 90$	$\pm 60$	120 ~ 150	0.005

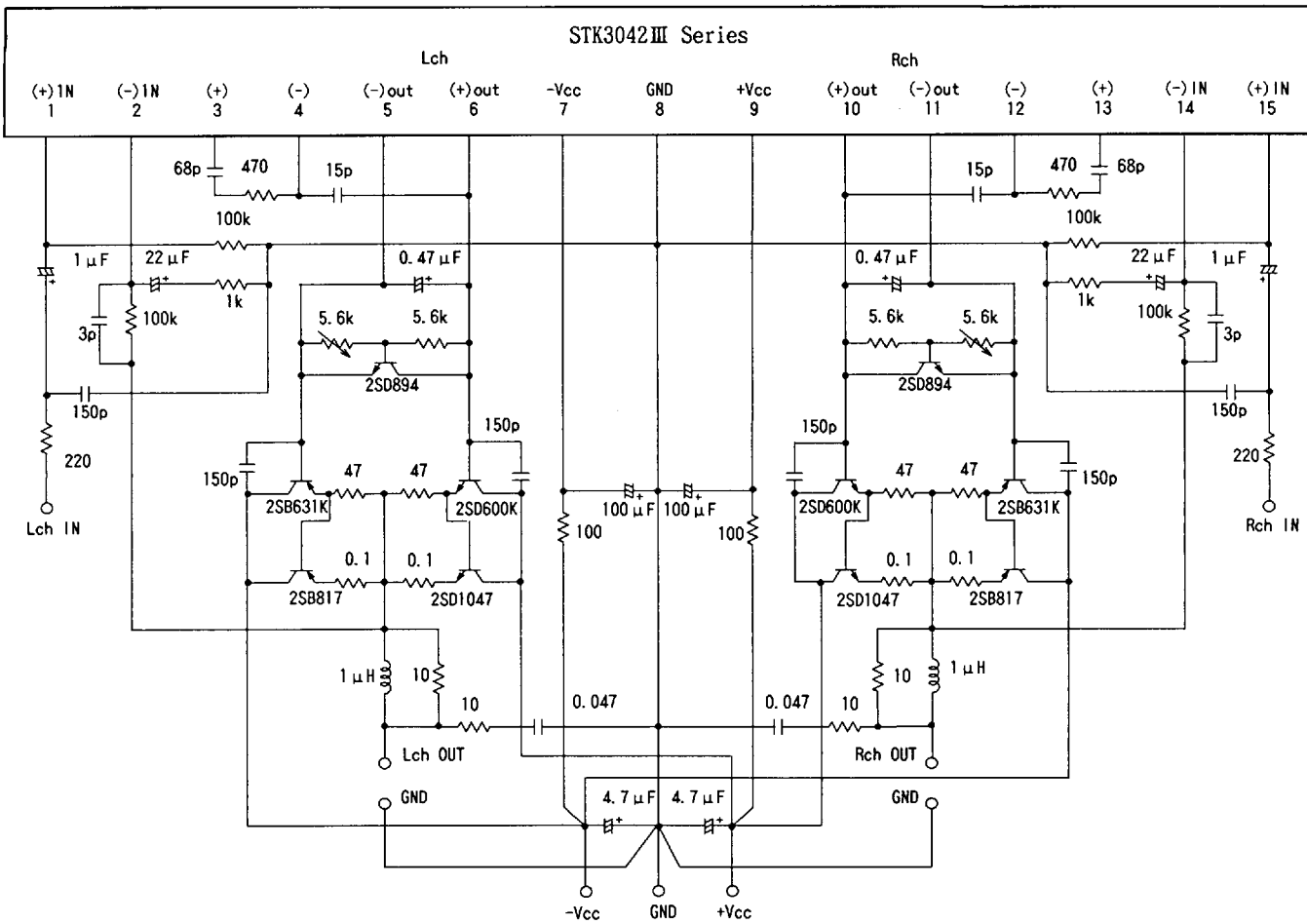
\* Under mass production

## Equivalent Circuit



■ Test Circuit





Case Outline

