

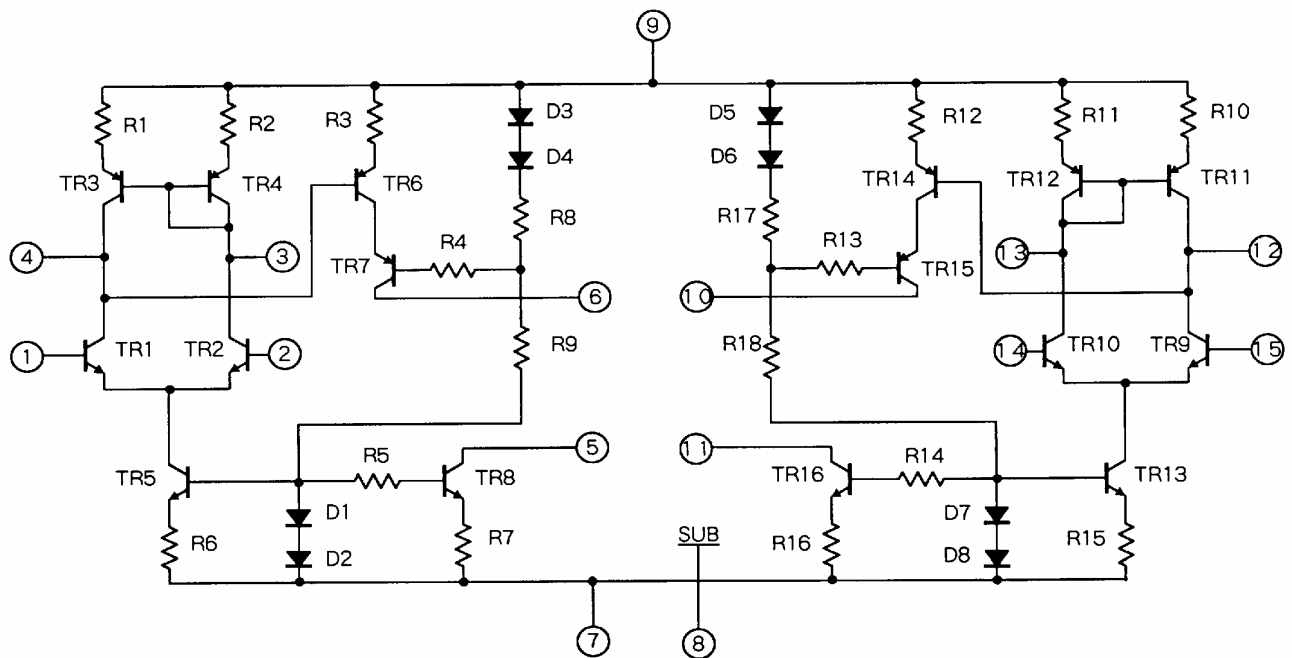
# STK3042 III Series

- ★2ch./1package,  $\pm$  Power Supply
- ★Voltage Amplifier
- ★THD = 0.005%

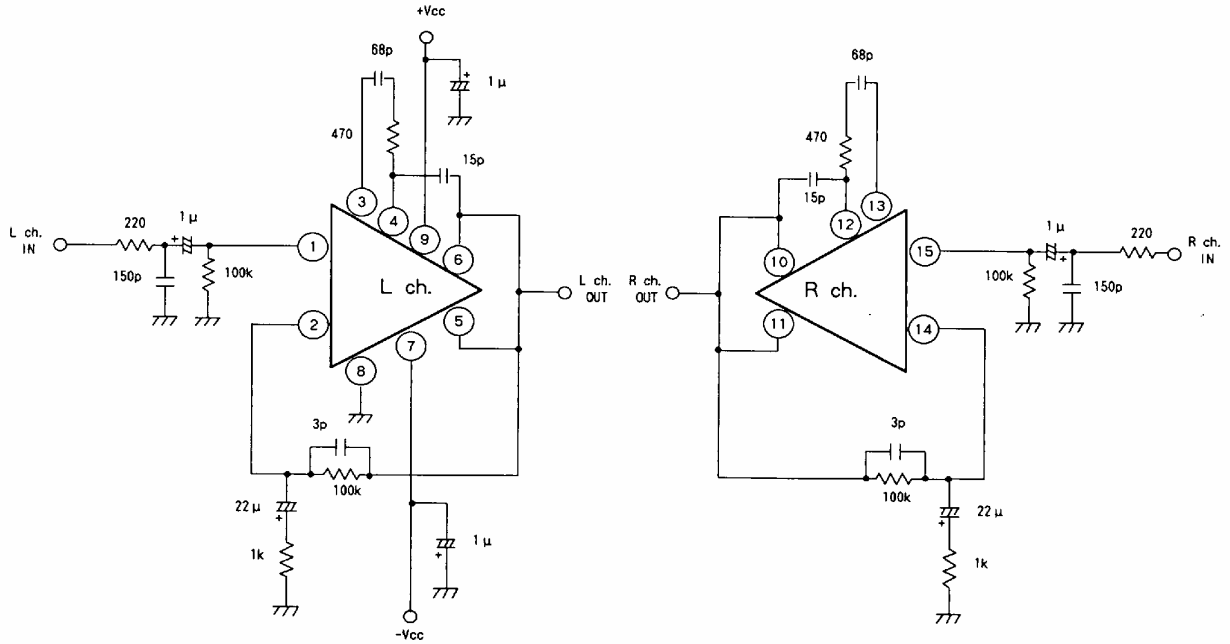
Model	Maximum Ratings 最大定格	Recommended Operating Conditions 推奨動作条件 [V]	Operating Characteristics (Recommend Operating Conditions at Test Circuit) 動作特性 (Test Circuitにて 推奨動作条件による)	
	Vcc max [V]	Vcc [V]	Po max RL=8Ω f=20~20kHz [W]	THD (V <sub>G</sub> =40dB) [%]
*STK3042III	± 55	± 36	40 ~ 60	0.005
*STK3062III	± 59	± 41	60 ~ 80	0.005
*STK3082III	± 65	± 47	80 ~ 90	0.005
*STK3102III	± 75	± 50	90 ~ 100	0.005
*STK3122III	± 80	± 55	100 ~ 120	0.005
*STK3152III	± 90	± 60	120 ~ 150	0.005

\* Under mass production

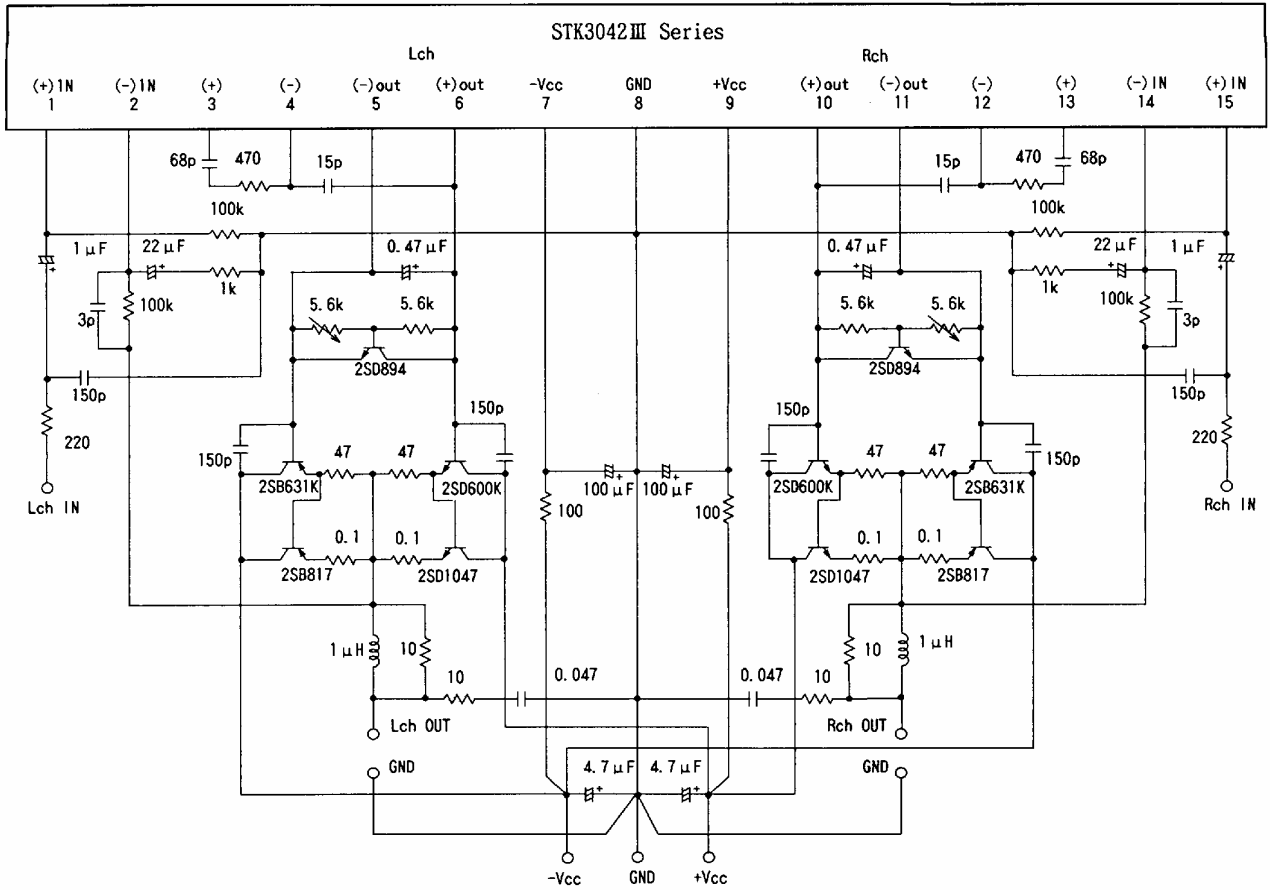
## ■ Equivalent Circuit



■ Test Circuit



Application



Case Outline

