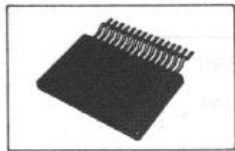




No.1535

STK3062III



Thick Film Hybrid Integrated Circuit
**2-CHANNEL VOLTAGE AMPLIFIER FOR
 60 TO 70W AF POWER AMPLIFIER**

Features

- . The AC amp circuit configuration eliminates the need to use the external middle-point adjust circuit.
- . External parts provide more flexibility in phase compensation.
- . Low distortion (0.005%) due to built-in current mirror circuit.

Maximum Ratings at Ta=25°C

			unit
Maximum Supply Voltage	V_{CCmax}	± 59	V
Operating IC Case Temperature	TC	115	°C
Storage Temperature	Tstg	-30 to +115	°C

Operating Characteristics at Ta=25°C, VG=40dB, at Test Circuit.

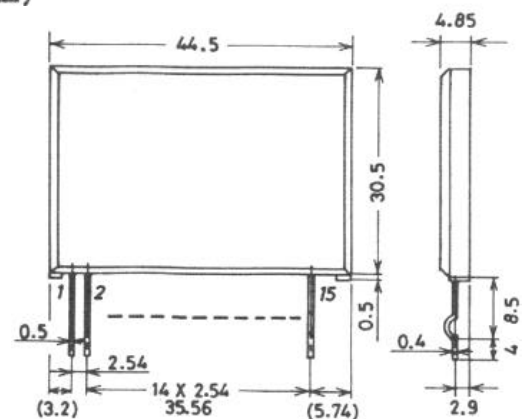
		min	typ	max	unit
Current Dissipation	I_{CC}		20	30	mA
Middle-Point Voltage	V_N	-50		+50	mV
Output Noise Voltage	V_{NO}			1.0	mV
Input Impedance	r_i		92		kohm
Total Harmonic Distortion	THD			0.005	%

$V_{CC} = \pm 48V$
 $V_{CC} = \pm 48V$
 $V_{CC} = \pm 48V, R_g = 10k\Omega$
 $V_{CC} = \pm 48V, f = 1kHz, V_o = 2.83V$
 $V_{CC} = \pm 41V, f = 20kHz, V_o = 22.0V$

(Note)

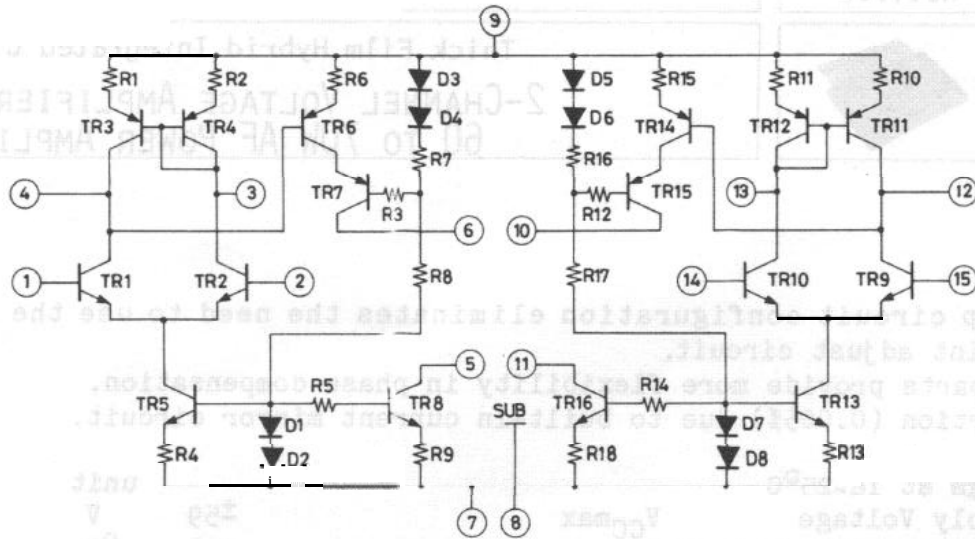
When testing, use a regulated power supply unless otherwise specified.

Case Outline 4053
(unit:mm)

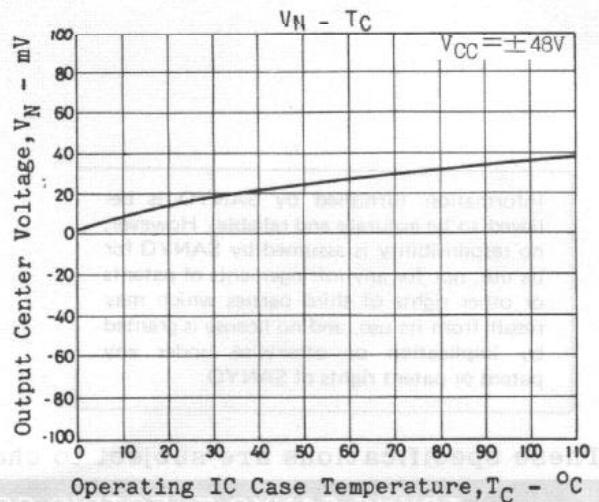
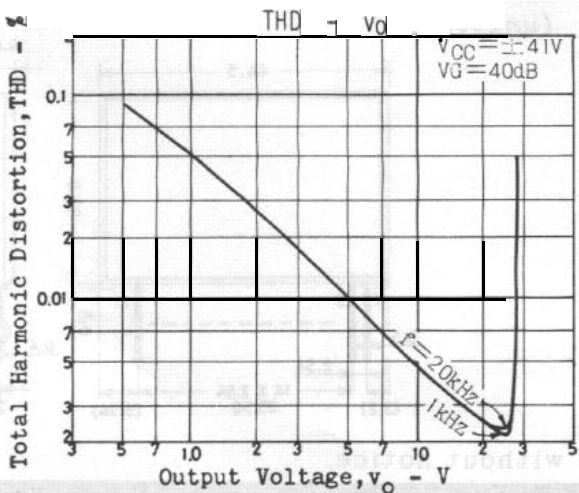
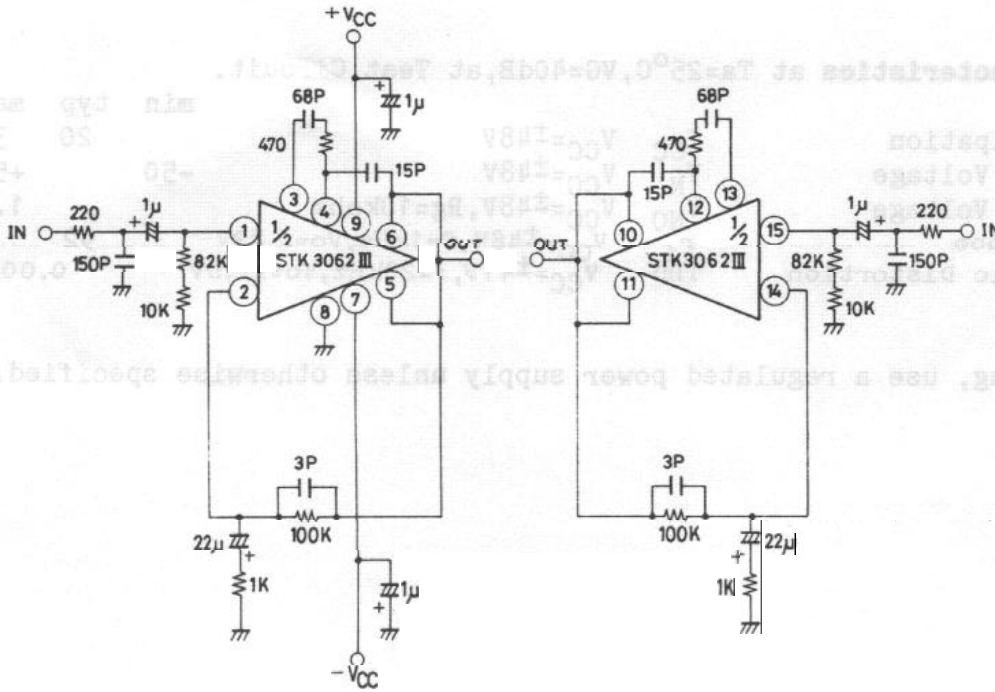


Information furnished by SANYO is believed to be accurate and reliable. However, no responsibility is assumed by SANYO for its use; nor for any infringements of patents or other rights of third parties which may result from its use, and no license is granted by implication or otherwise under any patent or patent rights of SANYO.

Equivalent Circuit



Test Circuit



Sample Application Circuit

STK3062 III

