

# Single chip 2.4 GHz Transceiver **nRF24L01**

## FEATURES

- True single chip GFSK transceiver
- Complete OSI Link Layer in hardware
- Enhanced ShockBurst™
- Auto ACK & retransmit
- Address and CRC computation
- On the air data rate 1 or 2Mbps
- Digital interface (SPI) speed 0-8 Mbps
- 125 RF channel operation
- Short switching time enable frequency hopping
- Fully RF compatible with nRF24XX
- 5V tolerant signal input pads
- 20-pin package (QFN20 4x4mm)
- Uses ultra low cost +/- 60 ppm crystal
- Uses low cost chip inductors and 2-layer PCB
- Power supply range: 1.9 to 3.6 V

## APPLICATIONS

- Wireless mouse, keyboard, joystick
- Keyless entry
- Wireless data communication
- Alarm and security systems
- Home automation
- Surveillance
- Automotive
- Telemetry
- Intelligent sports equipment
- Industrial sensors
- Toys

## GENERAL DESCRIPTION

nRF24L01 is a single chip radio transceiver for the world wide 2.4 - 2.5 GHz ISM band. The transceiver consists of a fully integrated frequency synthesizer, a power amplifier, a crystal oscillator, a demodulator, modulator and Enhanced ShockBurst™ protocol engine. Output power, frequency channels, and protocol setup are easily programmable through a SPI interface. Current consumption is very low, only 9.0mA at an output power of -6dBm and 12.3mA in RX mode. Built-in Power Down and Standby modes makes power saving easily realizable.

## QUICK REFERENCE DATA

Parameter	Value	Unit
Minimum supply voltage	1.9	V
Maximum output power	0	dBm
Maximum data rate	2000	kbps
Supply current in TX mode @ 0dBm output power	11.3	mA
Supply current in RX mode @ 2000 kbps	12.3	mA
Temperature range	-40 to +85	°C
Sensitivity @ 1000 kbps	-85	dBm
Supply current in Power Down mode	900	nA

Table 1 nRF24L01 quick reference data



**BLOCK DIAGRAM**

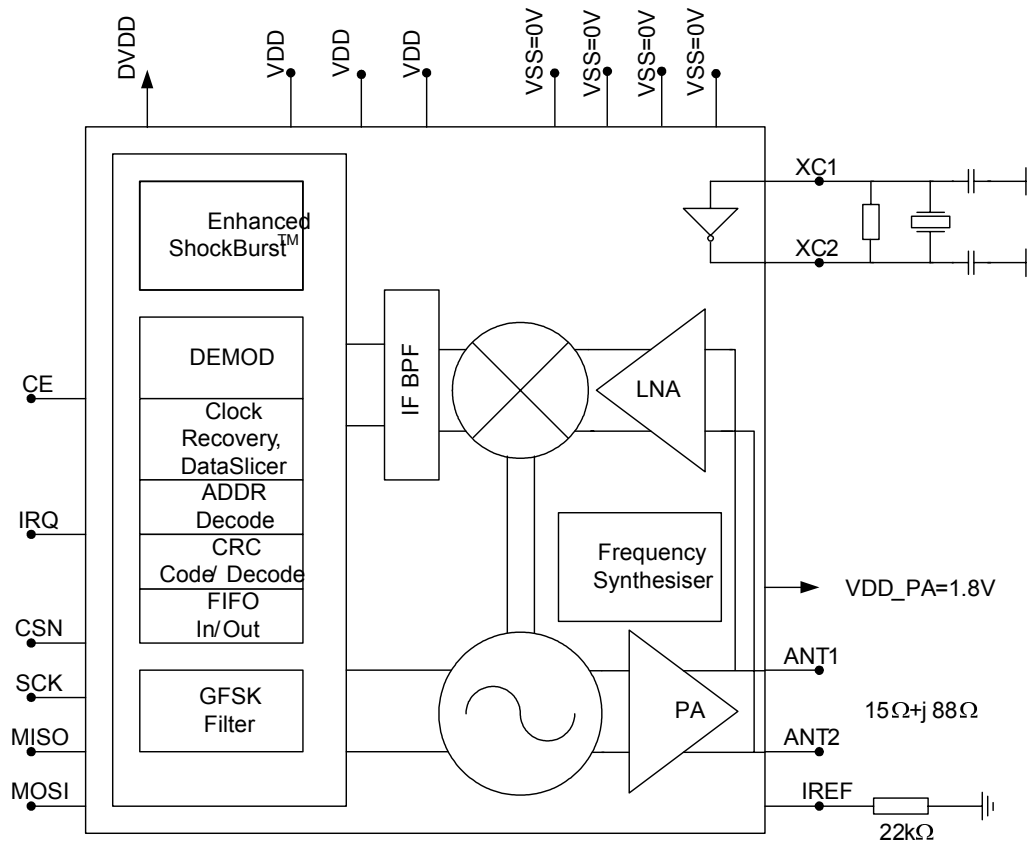


Figure 1 nRF24L01 with external components.



**PIN FUNCTIONS**

Pin	Name	Pin function	Description
1	CE	Digital Input	Chip Enable Activates RX or TX mode
2	CSN	Digital Input	SPI Chip Select
3	SCK	Digital Input	SPI Clock
4	MOSI	Digital Input	SPI Slave Data Input
5	MISO	Digital Output	SPI Slave Data Output, with tri-state option
6	IRQ	Digital Output	Maskable interrupt pin
7	VDD	Power	Power Supply (+3V DC)
8	VSS	Power	Ground (0V)
9	XC2	Analog Output	Crystal Pin 2
10	XC1	Analog Input	Crystal Pin 1
11	VDD_PA	Power Output	Power Supply (+1.8V) to Power Amplifier
12	ANT1	RF	Antenna interface 1
13	ANT2	RF	Antenna interface 2
14	VSS	Power	Ground (0V)
15	VDD	Power	Power Supply (+3V DC)
16	IREF	Analog Input	Reference current
17	VSS	Power	Ground (0V)
18	VDD	Power	Power Supply (+3V DC)
19	DVDD	Power Output	Positive Digital Supply output for de-coupling purposes
20	VSS	Power	Ground (0V)

Table 2 nRF24L01 pin function

**PIN ASSIGNMENT**

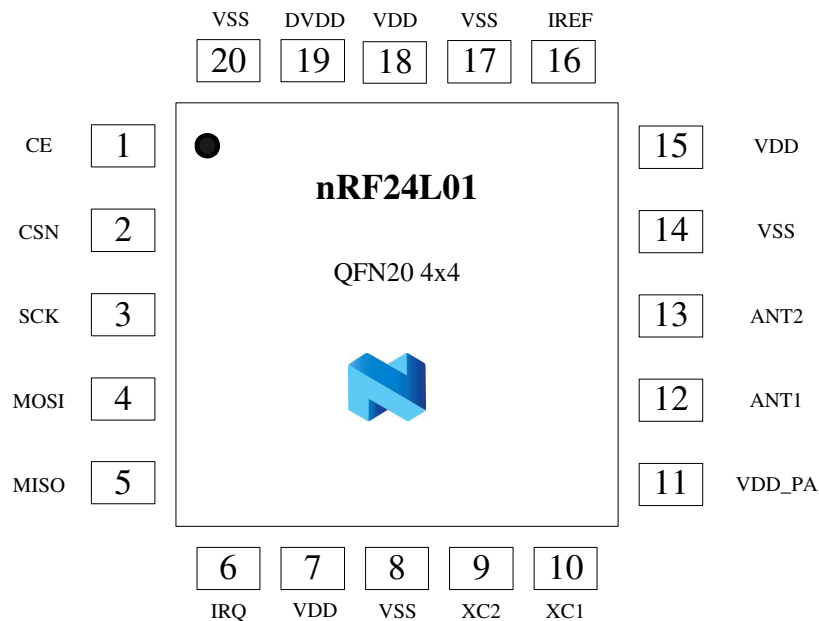


Figure 2 nRF24L01 pin assignment (top view) for a QFN20 4x4 package.



**ELECTRICAL SPECIFICATIONS**

Conditions: VDD = +3V, VSS = 0V, T<sub>A</sub> = - 40°C to + 85°C

Symbol	Parameter (condition)	Notes	Min.	Typ.	Max.	Units
<b>Operating conditions</b>						
VDD	Supply voltage		1.9	3.0	3.6	V
TEMP	Operating Temperature		-40	+27	+85	°C
<b>Digital input pin</b>						
V <sub>IH</sub>	HIGH level input voltage	<sup>1</sup>	0.7VDD		5.25	V
V <sub>IL</sub>	LOW level input voltage		VSS		0.3VDD	V
<b>Digital output pin</b>						
V <sub>OH</sub>	HIGH level output voltage (I <sub>OH</sub> =-0.25mA)		VDD- 0.3		VDD	V
V <sub>OL</sub>	LOW level output voltage (I <sub>OL</sub> =0.25mA)		VSS		0.3	V
<b>General conditions</b>						
VDD	Supply voltage rise time				100	ms
I <sub>VDD</sub>	Supply current in Standby-I mode	<sup>2</sup>		32		µA
I <sub>VDD</sub>	Supply current in Standby-II mode	<sup>3</sup>		320		µA
I <sub>VDD</sub>	Supply current in power down			900		nA
<b>General RF conditions</b>						
f <sub>OP</sub>	Operating frequency	<sup>4</sup>	2400		2525	MHz
f <sub>XTAL</sub>	Crystal frequency			16		MHz
Δf <sub>1M</sub>	Frequency deviation @ 1000kbps			±160		kHz
Δf <sub>2M</sub>	Frequency deviation @ 2000kbps			±320		kHz
R <sub>GFSK</sub>	Data rate ShockBurst™	<sup>5</sup>	1000		2000	kbps
F <sub>CHANNEL</sub>	Channel spacing @ 1000kbps			1		MHz
F <sub>CHANNEL</sub>	Channel spacing @ 2000kbps			2		MHz
<b>Transmitter operation</b>						
P <sub>RF</sub>	Maximum Output Power	<sup>6</sup>		0	+4	dBm
P <sub>RFC</sub>	RF Power Control Range		16	18	20	dB
P <sub>RFCR</sub>	RF Power Accuracy				±4	dB
P <sub>BW</sub>	20dB Bandwidth for Modulated Carrier (2000kbps)			1800	2000	kHz
P <sub>BW</sub>	20dB Bandwidth for Modulated Carrier (1000kbps)			900	1000	kHz
P <sub>RF1</sub>	1 <sup>st</sup> Adjacent Channel Transmit Power 2MHz				-20	dBm
P <sub>RF2</sub>	2 <sup>nd</sup> Adjacent Channel Transmit Power 4MHz				-50	dBm
I <sub>VDD</sub>	Supply current @ 0dBm output power	<sup>7</sup>		11.3		mA
I <sub>VDD</sub>	Supply current @ -18dBm output power			7.0		mA
I <sub>VDD</sub>	Average Supply current @ -6dBm output power, Enhanced ShockBurst™	<sup>10</sup>		0.12		mA

<sup>1</sup> All digital inputs handle up to 5.25V signal inputs. Keep in mind that the VDD of the nRF24L01 must match the V<sub>IH</sub> of the driving device for output pins.

<sup>2</sup> Current is given for a 12pF crystal. Current when using external clock is dependent on signal swing.

<sup>3</sup> Current is given for a 12pF crystal. Current when using external clock is dependent on signal swing.

<sup>4</sup> Usable band is determined by local regulations

<sup>5</sup> Data rate in each burst on air

<sup>6</sup> Antenna load impedance = 15Ω+j88Ω

<sup>7</sup> Antenna load impedance = 15Ω+j88Ω. Effective data rate 1000kbps or 2000 kbps

<sup>10</sup> Antenna load impedance = 15Ω+j88Ω. Effective data rate 10kbps and full packets



<b>Receiver operation</b>						
I <sub>VDD</sub>	Supply current one channel 2000kbps			12.3		mA
I <sub>VDD_LC</sub>	Supply current one channel 2000kbps	<sup>11</sup>		11.5		mA
I <sub>VDD</sub>	Supply current one channel 1000kbps			11.8		mA
I <sub>VDD_LC</sub>	Supply current one channel 1000kbps	<sup>11</sup>		11.1		mA
Max input	Receiving at <0.1% BER			0		dBm
RX <sub>SENS</sub>	Sensitivity at 0.1%BER (@2000kbps)			-82		dBm
RX <sub>SENS</sub>	Sensitivity at 0.1%BER (@1000kbps)			-85		dBm
C/I <sub>CO</sub>	C/I Co-channel (@2000kbps)	<sup>12</sup>		7 <sup>13</sup> /11 <sup>14</sup>		dB
C/I <sub>1ST</sub>	1 <sup>st</sup> Adjacent Channel Selectivity C/I 2MHz			1/4		dB
C/I <sub>2ND</sub>	2 <sup>nd</sup> Adjacent Channel Selectivity C/I 4MHz			-21/-20		dB
C/I <sub>3RD</sub>	3 <sup>rd</sup> Adjacent Channel Selectivity C/I 6MHz			-27/-27		dB
C/I <sub>CO</sub>	C/I Co-channel (@1000kbps)	<sup>15</sup>		9 <sup>16</sup> /12 <sup>17</sup>		dB
C/I <sub>1ST</sub>	1 <sup>st</sup> Adjacent Channel Selectivity C/I 1MHz			8/8		dB
C/I <sub>2ND</sub>	2 <sup>nd</sup> Adjacent Channel Selectivity C/I 2MHz			-22/-21		dB
C/I <sub>3RD</sub>	3 <sup>rd</sup> Adjacent Channel Selectivity C/I 3MHz			-30/-30		dB

Table 3 nRF24L01 RF specifications

Output Power adjustment

<b>SPI RF-SETUP (RF_PWR)</b>	<b>RF output power</b>	<b>DC current consumption</b>
11	0 dBm	11.3 mA
10	-6 dBm	9.0 mA
01	-12 dBm	7.5 mA
00	-18 dBm	7.0 mA

Conditions: VDD = 3.0V, VSS = 0V, T<sub>A</sub> = 27°C, Load impedance = 15Ω+j88Ω.

Table 4 RF output power setting for the nRF24L01.

<sup>11</sup> LNA in low current mode (reduced sensitivity by 1.5dB)

<sup>12</sup> Data rate is 2000kbps for the following C/I measurements

<sup>13</sup> According to ETSI EN 300 440-1 V1.3.1 (2001-09) page 27

<sup>14</sup> nRF24L01 equal modulation on interfering signal

<sup>15</sup> Data rate is 1000kbps for the following C/I measurements

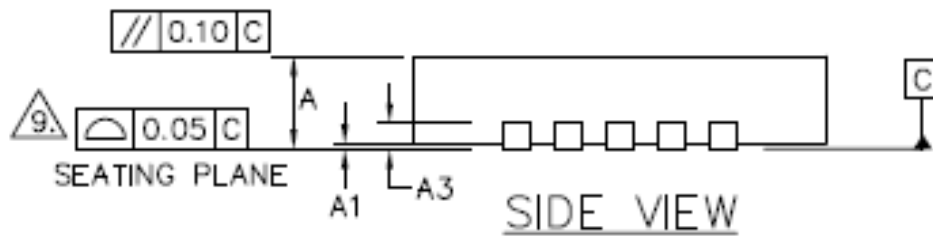
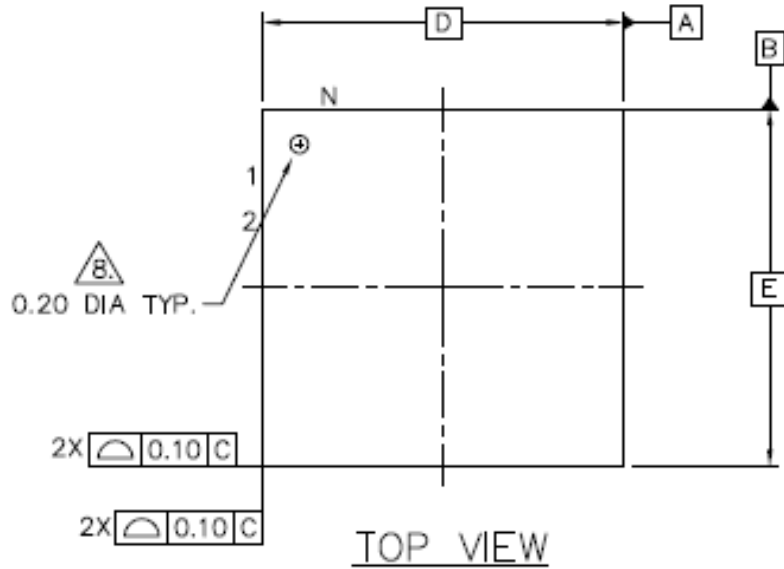
<sup>16</sup> According to ETSI EN 300 440-1 V1.3.1 (2001-09) page 27

<sup>17</sup> nRF24L01 equal modulation on interfering signal



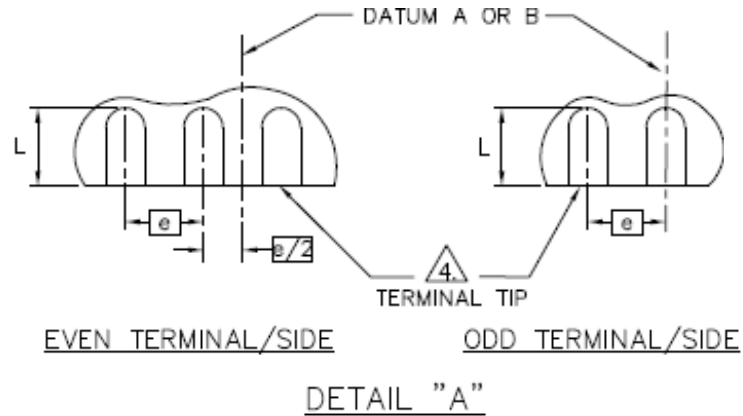
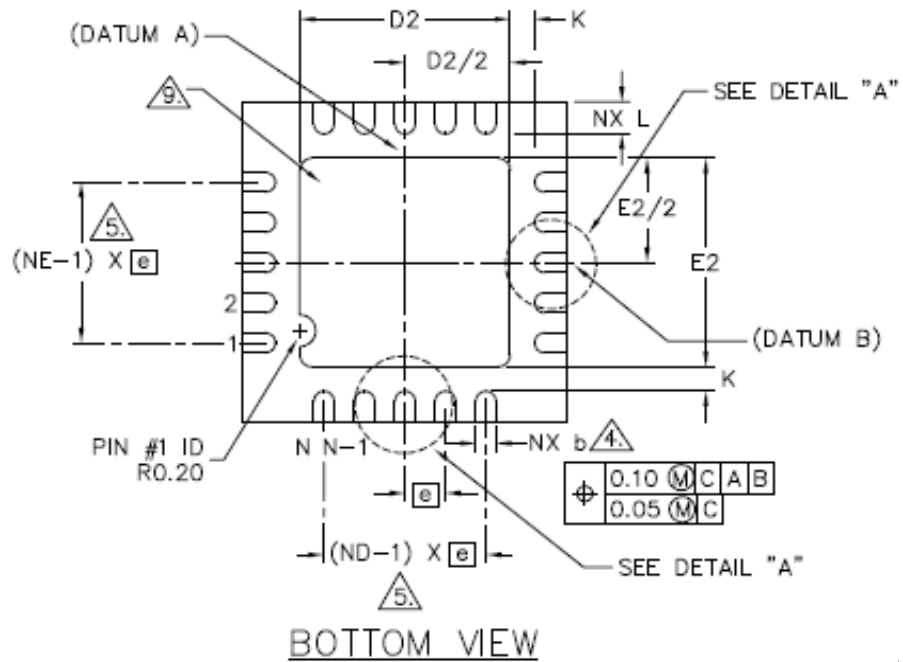
**PACKAGE OUTLINE**

nRF24L01 uses the QFN20 4x4 package, with matt tin plating.





nRF24L01 Single Chip 2.4 GHz Radio Transceiver



Package Type		A	A1	A3	K	D/E	e	D2/E2	L	L1	b
Saw QFN20 (4x4 mm)	Min	0.80	0.00					2.50	0.35		0.18
	Typ.	0.85	0.02	0.20	0.20	4.0 BSC <sup>18</sup>	0.5 BSC	2.60	0.40	0.15	0.25
	Max	0.95	0.05	REF.	min			2.70	0.45	max	0.30

Figure 3 nRF24L01 Package Outline.

<sup>18</sup> BSC: Basic Spacing between Centers, ref. JEDEC standard 95, page 4.17-11/A



Package marking:

NRF BX  
24L01  
YYWWLL

Abbreviations:

- NRF – Fixed text
- B – Variable Build Code, i.e. unique code for production sites, package type and test platform
- X – "X" grade, i.e. Engineering Samples (optional)
- YY – 2 digit Year number
- WW – 2 digit Week number
- LL – 2 letter wafer lot number code

**ORDERING INFORMATION**

Ordering code	Description	Package	Container	MOQ <sup>19</sup>
nRF24L01-REEL	2/1 Mbps Transceiver	20 pin QFN 4x4	Tape and reel <sup>20</sup>	4000
nRF24L01-REEL7	2/1 Mbps Transceiver	20 pin QFN 4x4	Tape and reel <sup>20</sup>	1500
nRF24L01	2/1 Mbps Transceiver	20 pin QFN 4x4	Tray <sup>20</sup>	490
nRF24L01-EVKIT	2 node evaluation	N/A	N/A	1

Table 5 nRF24L01 ordering information

<sup>19</sup> MOQ = Minimum order quantity

<sup>20</sup> **Moisture Sensitivity Level:** MSL2@260°C, three times reflow





**ABSOLUTE MAXIMUM RATINGS**

**Supply voltages**

VDD ..... - 0.3V to + 3.6V

VSS ..... 0V

**Input voltage**

V<sub>I</sub> ..... - 0.3V to 5.25V

**Output voltage**

V<sub>O</sub> ..... VSS to VDD

**Total Power Dissipation**

P<sub>D</sub> (T<sub>A</sub>=85°C) ..... 60mW

**Temperatures**

Operating Temperature.... - 40°C to + 85°C

Storage Temperature..... - 40°C to + 125°C

*Note: Stress exceeding one or more of the limiting values may cause permanent damage to the device.*

**ATTENTION!**

Electrostatic Sensitive Device  
Observe Precaution for handling.





**Glossary of Terms**

<b>Term</b>	<b>Description</b>
ACK	Acknowledgement
ART	Auto Re-Transmit
CE	Chip Enable
CLK	Clock
CRC	Cyclic Redundancy Check
CSN	Chip Select NOT
ESB	Enhanced ShockBurst™
GFSK	Gaussian Frequency Shift Keying
IRQ	Interrupt Request
ISM	Industrial-Scientific-Medical
LNA	Low Noise Amplifier
LSB	Least Significant Bit
LSByte	Least Significant Byte
Mbps	Megabit per second
MCU	Micro Controller Unit
MISO	Master In Slave Out
MOSI	Master Out Slave In
MSB	Most Significant Bit
MSByte	Most Significant Byte
PCB	Printed Circuit Board
PER	Packet Error Rate
PID	Packet Identity Bits
PLD	Payload
PRX	Primary RX
PTX	Primary TX
PWR_DWN	Power Down
PWR_UP	Power Up
RoHS	Restriction of use of Certain Hazardous Substances
RX	Receive
RX_DR	Receive Data Ready
SPI	Serial Peripheral Interface
TX	Transmit
TX_DS	Transmit Data Sent

Table 6 Glossary



**FUNCTIONAL DESCRIPTION**

**Modes of operation**

The nRF24L01 can be set in the following main modes depending on the level of the following primary I/Os and configuration registers:

Mode	PWR_UP register	PRIM_RX register	CE	FIFO state
RX mode	1	1	1	-
TX mode	1	0	1	Data in TX FIFO (will empty TX FIFO)
TX mode	1	0	1→0	Stays in TX mode until packet transmission is finished
Standby-II	1	0	1	TX FIFO empty
Standby-I	1	-	0	No ongoing packet transmission
Power Down	0	-	-	-

Table 7 nRF24L01 main modes

An overview of the nRF24L01 I/O pins in different modes is given in Table 8.

**Pin functions in the different modes of nRF24L01**

Pin Name	Direction	TX Mode	RX Mode	Standby Modes	Power Down
CE	Input	High Pulse >10µs	High	Low	-
CSN	Input	SPI Chip Select, active low			
SCK	Input	SPI Clock			
MOSI	Input	SPI Serial Input			
MISO	Tri-state Output	SPI Serial Output			
IRQ	Output	Interrupt, active low			

Table 8 Pin functions of the nRF24L01

**Standby Modes**

Standby-I mode is used to minimize average current consumption while maintaining short start up times. In this mode, part of the crystal oscillator is active. In Standby-II mode extra clock buffers are active compared to Standby-I mode and uses 10 times the amount of current. Standby-II occurs when CE is held high on a PTX device with empty TX FIFO. The configuration word content is maintained during Standby modes. SPI interface may be activated. For start up time see Table 18.

**Power Down Mode**

In power down nRF24L01 is disabled with minimal current consumption. When entering this mode the device is not active, but all registers values available from the SPI interface are maintained during power down and the SPI interface may be activated (CSN=0). For start up time see Table 18. The power down is controlled by the PWR\_UP bit in the CONFIG register.



## Packet Handling Methods

nRF24L01 has the following Packet Handling Methods:

- ShockBurst™ (compatible with nRF2401, nRF24E1, nRF2402 and nRF24E2 with 1Mbps data rate, see page 28)
- Enhanced ShockBurst™

### ShockBurst™

ShockBurst™ makes it possible to use the high data rate offered by nRF24L01 without the need of a costly, high-speed micro controller (MCU) for data processing/clock recovery. By placing all high speed signal processing related to RF protocol on-chip, nRF24L01 offers the application micro controller a simple SPI compatible interface, the data rate is decided by the interface-speed the micro controller itself sets up. By allowing the digital part of the application to run at low speed, while maximizing the data rate on the RF link, ShockBurst™ reduces the average current consumption in applications.

In ShockBurst™ RX, IRQ notifies the MCU when a valid address and payload is received respectively. The MCU can then clock out the received payload from an nRF24L01 RX FIFO.

In ShockBurst™ TX, nRF24L01 automatically generates preamble and CRC, see Table 17. IRQ notifies the MCU that the transmission is completed. All together, this means reduced memory demand in the MCU resulting in a low cost MCU, as well as reduced software development time. nRF24L01 has a three level deep RX FIFO (shared between 6 pipes) and a three level deep TX FIFO. The MCU can access the FIFOs at any time, in power down mode, in standby modes, and during RF packet transmission. This allows the slowest possible SPI interface compared to the average data-rate, and may enable usage of an MCU without hardware SPI.

### Enhanced ShockBurst™

Enhanced ShockBurst™ is a packet handling method with functionality that makes bi-directional link protocol implementation easier and more efficient. In a typical bi-directional link, one will let the terminating part acknowledge received packets from the originating part in order to make it possible to detect data loss. Data loss can then be recovered by retransmission. The idea with Enhanced ShockBurst™ is to let nRF24L01 handle both acknowledgement of received packets and retransmissions of lost packets, without involvement from the micro controller.

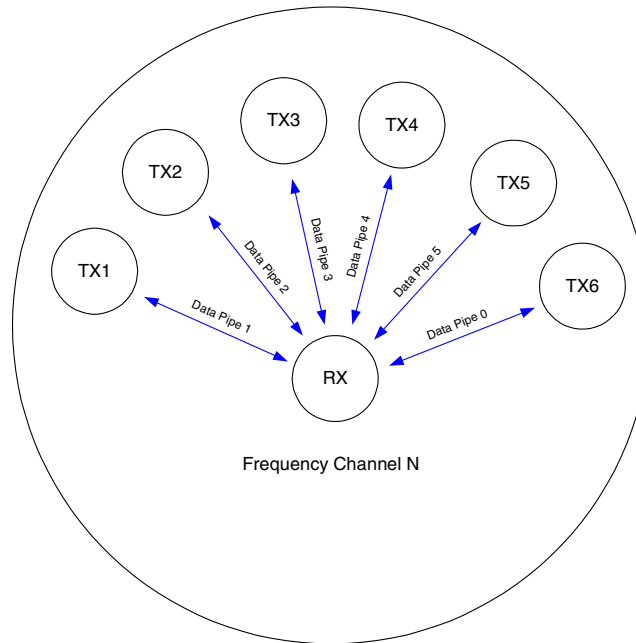


Figure 4: nRF24L01 in a star network configuration

An nRF24L01 configured as primary RX (PRX) will be able to receive data through 6 different data pipes, see Figure 4. A data pipe will have a unique address but share the same frequency channel. This means that up to 6 different nRF24L01 configured as primary TX (PTX) can communicate with one nRF24L01 configured as PRX, and the nRF24L01 configured as PRX will be able to distinguish between them. Data pipe 0 has a unique 40 bit configurable address. Each of data pipe 1-5 has an 8 bit unique address and shares the 32 most significant address bits. All data pipes can perform full Enhanced ShockBurst™ functionality.

nRF24L01 will use the data pipe address when acknowledging a received packet. This means that nRF24L01 will transmit ACK with the same address as it receives payload at. In the PTX device data pipe 0 is used to receive the acknowledgement, and therefore the receive address for data pipe 0 has to be equal to the transmit address to be able to receive the acknowledgement. See Figure 5 for addressing example.

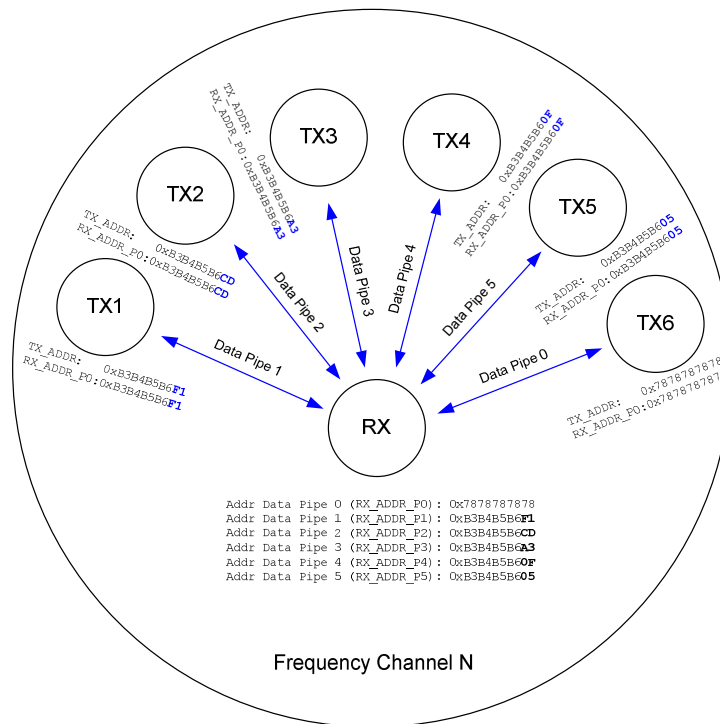


Figure 5: Example on how the acknowledgement addressing is done

An nRF24L01 configured as PTX with Enhanced ShockBurst™ enabled, will use the ShockBurst™ feature to send a packet whenever the micro controller wants to. After the packet has been transmitted, nRF24L01 will switch on its receiver and expect an acknowledgement to arrive from the terminating part. If this acknowledgement fails to arrive, nRF24L01 will retransmit the same packet until it receives an acknowledgement or the number of retries exceeds the number of allowed retries given in the SETUP\_RETR\_ARC register. If the number of retries exceeds the number of allowed retries, this will be showed by the STATUS register bit MAX\_RT which gives an interrupt.

Whenever an acknowledgement is received by an nRF24L01 it will consider the last transmitted packet as delivered. It will then be cleared from the TX FIFO, and the TX\_DS IRQ source will be set high.

With Enhanced ShockBurst™ nRF24L01 offers the following benefits:

- Highly reduced current consumption due to short time on air and sharp timing when operating with acknowledgement traffic
- Lower system cost. Since the nRF24L01 handles all the high-speed link layer operations, like re-transmission of lost packet and generating acknowledgement to received packets, it is no need for hardware SPI on the system micro controller to interface the nRF24L01. The interface can be done by using general purpose IO pins on a low cost micro controller where the SPI is emulated in firmware. With the nRF24L01 this will be sufficient speed even when running a bi-directional link.
- Greatly reduced risk of “on-air” collisions due to short time on air
- Easier firmware development since the link layer is integrated on chip

**Enhanced ShockBurst™ Transmitting Payload:**

1. The configuration bit PRIM\_RX has to be low.
2. When the application MCU has data to send, the address for receiving node (TX\_ADDR) and payload data (TX\_PLD) has to be clocked into nRF24L01 via the SPI interface. The width of TX-payload is counted from number of bytes written into the TX FIFO from the MCU. TX\_PLD must be written continuously while holding CSN low. TX\_ADDR does not have to be rewritten if it is unchanged from last transmit. If the PTX device shall receive acknowledge, data pipe 0 has to be configured to receive the acknowledgement. The receive address for data pipe 0 (RX\_ADDR\_P0) has to be equal to the transmit address (TX\_ADDR) in the PTX device. For the example in Figure 5 the following address settings have to be performed for the TX5 device and the RX device:  
TX5 device: TX\_ADDR = 0xB3B4B5B605  
TX5 device: RX\_ADDR\_P0 = 0xB3B4B5B605  
RX device: RX\_ADDR\_P5 = 0xB3B4B5B605
3. A high pulse on CE starts the transmission. The minimum pulse width on CE is 10 µs.
4. nRF24L01 ShockBurst™:
  - Radio is powered up
  - 16 MHz internal clock is started.
  - RF packet is completed (see the packet description)
  - Data is transmitted at high speed (1 Mbps or 2 Mbps configured by MCU).
5. If auto acknowledgement is activated (ENAA\_P0=1) the radio goes into RX mode immediately. If a valid packet has been received in the valid acknowledgement time window, the transmission is considered a success. The TX\_DS bit in the status register is set high and the payload is removed from TX FIFO. If a valid acknowledgement is not received in the specified time window, the payload is resent (if auto retransmit is enabled). If the auto retransmit counter (ARC\_CNT) exceeds the programmed maximum limit (ARC), the MAX\_RT bit in the status register is set high. The payload in TX FIFO is NOT removed. The IRQ pin will be active when MAX\_RT or TX\_DS is high. To turn off the IRQ pin, the interrupt source must be reset by writing to the status register (see Interrupt chapter). If no acknowledgement is received for a packet after the maximum number of retries, no further packets can be sent before the MAX\_RX interrupt is cleared. The packet loss counter (PLOS\_CNT) is incremented at each MAX\_RT interrupt. I.e. ARC\_CNT counts the number of retries that was required to get a single packet through. PLOS\_CNT counts the number of packets that did not get through after maximum number of retries.
6. The device goes into Standby-I mode if CE is low. Otherwise next payload in TX FIFO will be sent. If TX FIFO is empty and CE is still high, the device will enter Standby-II mode.
7. If the device is in Standby-II mode, it will go to Standby-I mode immediately if CE is set low.

**Enhanced ShockBurst™ Receive Payload:**

1. RX is selected by setting the PRIM\_RX bit in the configuration register to high. All data pipes that shall receive data must be enabled (EN\_RXADDR register),



- auto acknowledgement for all pipes running Enhanced ShockBurst™ has to be enabled (EN\_AA register), and the correct payload widths must be set (RX\_PW\_Px registers). Addresses have to be set up as described in item 2 in the Enhanced ShockBurst™ transmit payload chapter above.
2. Active RX mode is started by setting CE high.
  3. After 130µs nRF24L01 is monitoring the air for incoming communication.
  4. When a valid packet has been received (matching address and correct CRC), the payload is stored in the RX-FIFO, and the RX\_DR bit in status register is set high. The IRQ pin will be active when RX\_DR is high. RX\_P\_NO in status register will indicate what data pipe the payload has been received in.
  5. If auto acknowledgement is enabled, an acknowledgement is sent back.
  6. MCU sets the CE pin low to enter Standby-I mode (low current mode).
  7. MCU can clock out the payload data at a suitable rate via the SPI interface.
  8. The device is now ready for entering TX or RX mode or power down mode.

### Two way communication with payload in both directions

If payload shall be sent in both directions, the PRIM\_RX register must be toggled by redefining the device from PRX to PTX or vice versa. The controlling processors must handle the synchronicity between a PTX and a PRX. Data buffering in both RX FIFO and TX FIFO simultaneously is possible, but restricted to data pipes 1 to 5. The third level in TX FIFO shall only be written in RX, TX or Standby-II mode if data is stored in RX FIFO

### Auto Acknowledgement (RX)

The auto acknowledgement function reduces the load of the external micro controller, and may remove the need for dedicated SPI hardware in a mouse/keyboard or comparable systems, and hence reduce cost and average current consumption. Auto acknowledgement can be configured individually for each data pipe via the SPI interface.

If auto acknowledgement is enabled and a valid packet (correct data pipe address and CRC) is received, the device will enter TX mode and send an acknowledgement packet. After the device has sent the acknowledgement packet, normal operation resumes, and the mode is determined by the PRIM\_RX register and CE pin.

### Auto Re-Transmission (ART) (TX)

An auto retransmission function is available. It will be used at the TX side in an auto acknowledgement system. In the SETUP\_RETR register it will be possible to state how many times the data in the data register will be resent if data is not acknowledged. After each sending, the device will enter RX mode and wait a specified time period for acknowledgement. When the acknowledgement packet is received, the device will return to normal transmit function. If there is no more unsent data in the TX FIFO and the CE pin is low, the device will go into Standby-I mode. If the acknowledgement is not received, the device will go back to TX mode and resend the data. This will continue until acknowledgment is received, or a time out occurs





(i.e. the maximum number of sending is reached). The only way to reset this is to set the PWR\_UP bit low or let the auto retransmission finish. A packet loss counter will be incremented each time a packet does not succeed to reach the destination before time out. (Time out is indicated by the MAX\_RT interrupt.) The packet loss counter is reset when writing to the RF channel register.

**Packet Identity (PID) and CRC used by Enhanced ShockBurst™**

Each packet contains a two bit wide PID field to detect if the received packet is new or resent. The PID will prevent that the PRX device presents the same payload more than once to the micro controller. This PID field is incremented at the TX side for each new packet received via the SPI interface. The PID and CRC field is used by the PRX device to determine whether a packet is resent or new. When several data is lost on the link, the PID fields may in some cases become equal to last received PID. If a packet has the same PID as the previous packet, nRF24L01 will compare the CRC sums from both packets. If they also are equal, the last received packet is considered as a copy of the previous and is discarded.

**1: PRX device:**

The PRX device compares the received PID with the last PID. If the PID fields are different, the packet is considered to be new. If the PID is equal to last received PID, the received packet might be the same as last time. The receiver must check if the CRC is equal to the previous CRC. If the CRC is equal to the previous one, the packet is probably the same, and will be discarded.

**2: PTX device:**

The transmitter increments the PID field each time it sends a new packet.

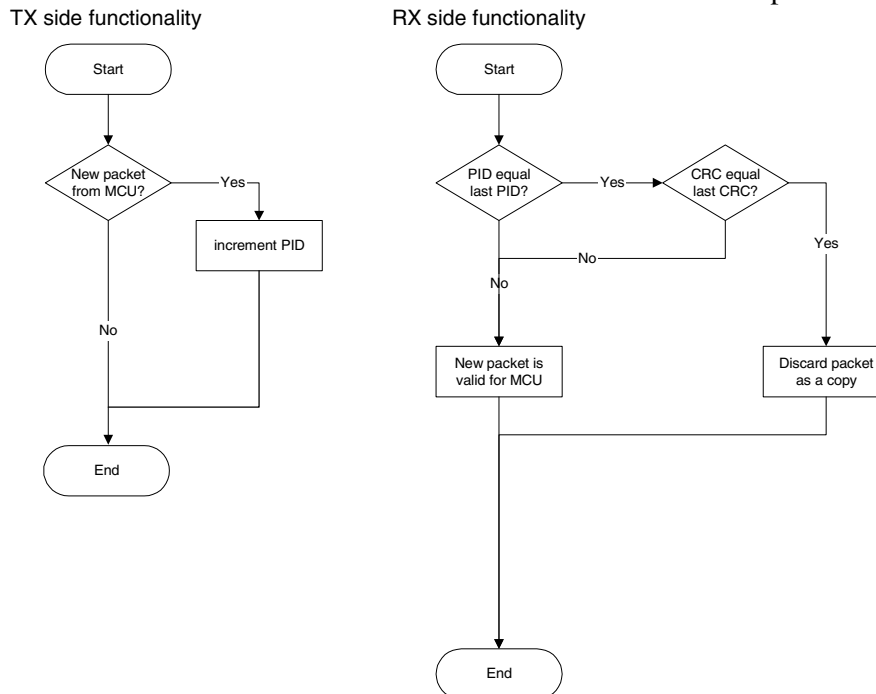


Figure 6 PID generation/detection



The length of the CRC is configurable through the SPI interface. It is important to notice that the CRC is calculated over the whole packet including address, PID and payload. No packet is accepted as correct if the CRC fails. This is an extra requirement for packet acceptance that is not illustrated in the figure above.

### Stationary Disturbance Detection – CD

Carrier Detect (CD) is set high when an in-band RF signal is detected in RX mode, otherwise CD is low. The internal CD signal is filtered before presented to CD register. The internal CD signal must be high for at least 128 $\mu$ s.

In Enhanced ShockBurst™ it is recommended to use the Carrier Detect functionality only when the PTX device does not succeed to get packets through, as indicated by the MAX\_RT interrupt for single packets and by the packet loss counter (PLOS\_CNT) if several packets are lost. If the PLOS\_CNT in the PTX device indicates to high rate of packet losses, the device can be configured to a PRX device for a short time ( $T_{stbr2a} + \text{CD-filter delay} = 130\mu\text{s} + 128\mu\text{s} = 258\mu\text{s}$ ) to check CD. If CD was high (jam situation), the frequency channel should be changed. If CD was low (out of range or jammed by broadband signals like WLAN), it may continue on the same frequency channel, but perform other adjustments. (A dummy write to the RF\_CH will clear the PLOS\_CNT.)

### Data Pipes

nRF24L01 configured as PRX can receive data addressed to 6 different data pipes in one physical frequency channel. Each data pipe has its own unique address and can be configured to have individual behavior.

The data pipes are enabled with the bits in the EN\_RXADDR register. By default only data pipe 0 and 1 are enabled.

The address for each data pipe is configured in the RX\_ADDR\_Px registers. Always ensure that none of the data pipes have the exact same address.

Data pipe 0 has a unique 40 bit configurable address. Data pipes 1-5 share the 32 most significant address bits and have only the LSByte unique for each data pipe. Figure 7 shows an example of how data pipes 0-5 are addressed. All pipes can have up to 40 bit address, but for pipe 1-5 only the LSByte is different, and the LSByte must be unique for all pipes.

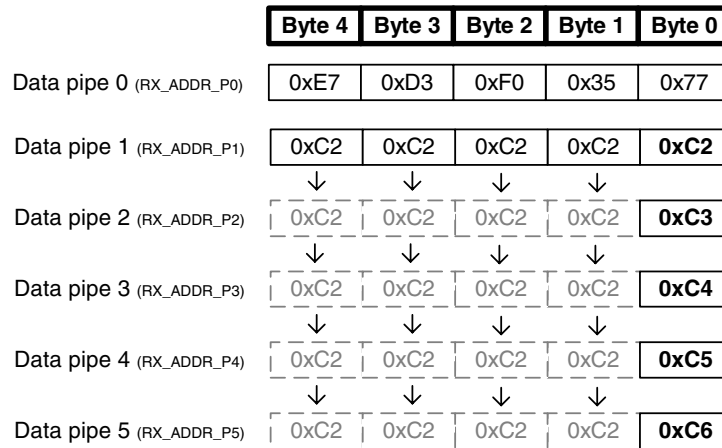


Figure 7: Addressing data pipes 0-5

When a packet has been received at one of the data pipes and the data pipe is setup to generate acknowledgement, nRF24L01 will generate an acknowledgement with an address that equals the data pipe address where the packet was received.

Some configuration settings are common to all data pipes and some are individual. The following settings are common to all data pipes:

- CRC enabled/disabled (CRC always enabled when ESB is enabled)
- CRC encoding scheme
- RX address width
- Frequency channel
- RF data rate
- LNA gain
- RF output power



## DEVICE CONFIGURATION

All configuration of nRF24L01 is defined by values in some configuration registers. All these registers are writable via the SPI interface.

### SPI Interface

The SPI interface is a standard SPI interface with a maximum data rate of 10Mbps. Most registers are readable.

### SPI Instruction Set

The available commands to be used on the SPI interface are shown below. Whenever CSN is set low the interface expects an instruction. Every new instruction must be started by a high to low transition on CSN.

In parallel to the SPI instruction word applied on the MOSI pin, the STATUS register is shifted serially out on the MISO pin.

The serial shifting SPI commands is on the format:

<**Instruction word:** MSBBit to LSBBit (one byte)>

<**Data bytes:** LSByte to MSByte, MSBit in each byte first>

See Figure 8 and Figure 9 for further info.

Instruction Name	Instruction Format [binary]	# Data Bytes	Operation
R_REGISTER	000A AAAA	1 to 5 LSByte first	Read registers. AAAAA = 5 bit Memory Map Address
W_REGISTER	001A AAAA	1 to 5 LSByte first	Write registers. AAAAA = 5 bit Memory Map Address <i>Executable in power down or standby modes only.</i>
R_RX_PAYLOAD	0110 0001	1 to 32 LSByte first	Read RX-payload: 1 – 32 bytes. A read operation will always start at byte 0. Payload will be deleted from FIFO after it is read. Used in RX mode.
W_TX_PAYLOAD	1010 0000	1 to 32 LSByte first	Used in TX mode. Write TX-payload: 1 – 32 bytes. A write operation will always start at byte 0.
FLUSH_TX	1110 0001	0	Flush TX FIFO, used in TX mode
FLUSH_RX	1110 0010	0	Flush RX FIFO, used in RX mode Should not be executed during transmission of acknowledge, i.e. acknowledge package will not be completed.
REUSE_TX_PL	1110 0011	0	Used for a PTX device Reuse last sent payload. Packets will be repeatedly resent as long as CE is high. TX payload reuse is active until W_TX_PAYLOAD or FLUSH TX is executed. TX payload reuse must not be activated or deactivated during package transmission
NOP	1111 1111	0	No Operation. Might be used to read the STATUS register

Table 9 Instruction set for the nRF24L01 SPI interface.

The W\_REGISTER and R\_REGISTER may operate on single or multi-byte registers. When accessing multi-byte registers one will read or write MSBit of LSByte first. The



**nRF24L01 Single Chip 2.4 GHz Radio Transceiver**

writing can be terminated before all bytes in a multi-byte register has been written. In this case the unwritten MSByte(s) will remain unchanged. E.g. the LSByte of RX\_ADDR\_P0 can be modified by writing only one byte to the RX\_ADDR\_P0 register. The content of the status register will always be read to MISO after a high to low transition on CSN.

**Interrupt**

The nRF24L01 has an active low interrupt pin (IRQ). The interrupt pin is activated when TX\_DS, RX\_DR or MAX\_RT is set high in status register. When MCU writes '1' to the interrupt source, the IRQ pin will go inactive. The interrupt mask part of the CONFIG register is used to mask out the interrupt sources that are allowed to set the IRQ pin low. By setting one of the MASK bits high, the corresponding interrupt source will be disabled. By default all interrupt sources are enabled.

**SPI Timing**

The interface supports SPI. SPI operation and timing is given in Figure 8 to Figure 10 and in Table 10 and Table 11. The device must be in one of the standby modes or power down mode before writing to the configuration registers. In Figure 8 to Figure 10 the following notations are used:

Cn – SPI Instruction Bit

Sn – Status Register Bit

Dn – Data Bit (note: LSByte to MSByte, MSBit in each byte first)

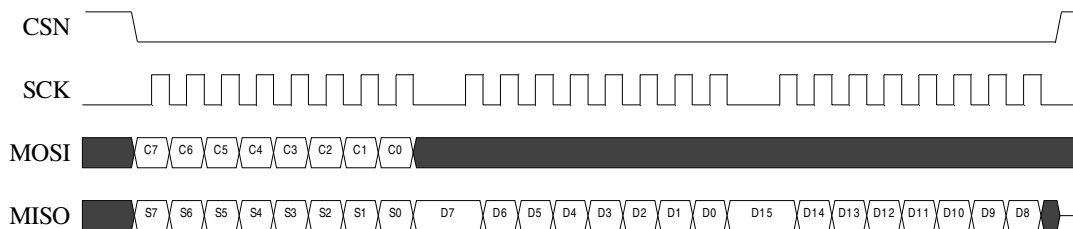


Figure 8 SPI read operation.

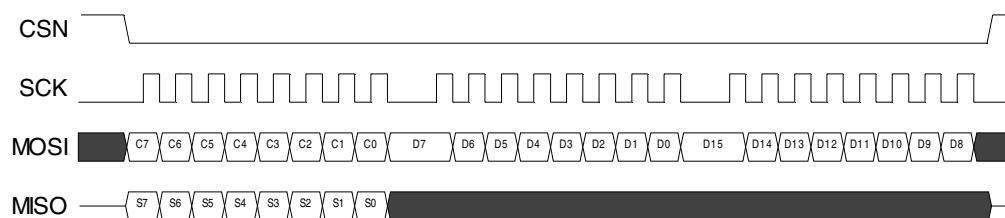


Figure 9 SPI write operation.



nRF24L01 Single Chip 2.4 GHz Radio Transceiver

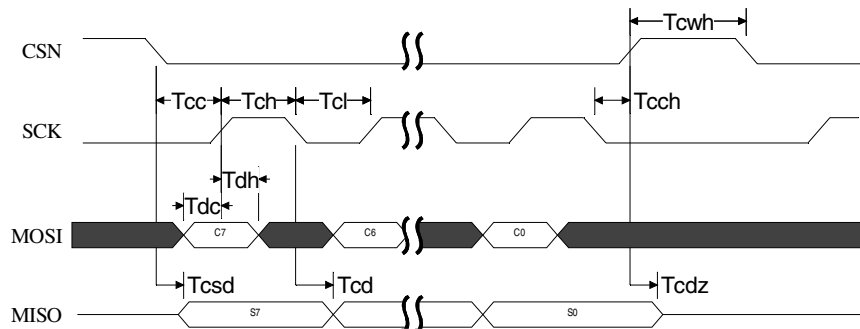


Figure 10 SPI NOP timing diagram.

PARAMETER	SYMBOL	MIN	MAX	UNITS
Data to SCK Setup	Tdc	2		ns
SCK to Data Hold	Tdh	2		ns
CSN to Data Valid	Tcsd		38	ns
SCK to Data Valid	Tcd		55	ns
SCK Low Time	Tcl	40		ns
SCK High Time	Tch	40		ns
SCK Frequency	Fsck	0	8	MHz
SCK Rise and Fall	Tr,Tf		100	ns
CSN to SCK Setup	Tcc	2		ns
SCK to CSN Hold	Tcch	2		ns
CSN Inactive time	Tcwh	50		ns
CSN to Output High Z	Tcdz		38	ns

Table 10 SPI timing parameters ( $C_{Load} = 5pF$ ).

PARAMETER	SYMBOL	MIN	MAX	UNITS
Data to SCK Setup	Tdc	2		ns
SCK to Data Hold	Tdh	2		ns
CSN to Data Valid	Tcsd		42	ns
SCK to Data Valid	Tcd		58	ns
SCK Low Time	Tcl	40		ns
SCK High Time	Tch	40		ns
SCK Frequency	Fsck	0	8	MHz
SCK Rise and Fall	Tr,Tf		100	ns
CSN to SCK Setup	Tcc	2		ns
SCK to CSN Hold	Tcch	2		ns
CSN Inactive time	Tcwh	50		ns
CSN to Output High Z	Tcdz		42	ns

Table 11 SPI timing parameters ( $C_{Load} = 10pF$ ).



PARAMETER	SYMBOL	MIN	MAX	UNITS
Data to SCK Setup	Tdc	2		ns
SCK to Data Hold	Tdh	2		ns
CSN to Data Valid	Tcsd		75	ns
SCK to Data Valid	Tcd		86	ns
SCK Low Time	Tcl	40		ns
SCK High Time	Tch	40		ns
SCK Frequency	Fsck	0	5	MHz
SCK Rise and Fall	Tr,Tf		100	ns
CSN to SCK Setup	Tcc	2		ns
SCK to CSN Hold	Tech	2		ns
CSN Inactive time	Tewh	50		ns
CSN to Output High Z	Tcdz		75	ns

Table 12 SPI timing parameters ( $R_{pull} = 10Kohm$ ,  $C_{load} = 50pF$ ).

PARAMETER	SYMBOL	MIN	MAX	UNITS
Data to SCK Setup	Tdc	2		ns
SCK to Data Hold	Tdh	2		ns
CSN to Data Valid	Tcsd		116	ns
SCK to Data Valid	Tcd		123	ns
SCK Low Time	Tcl	40		ns
SCK High Time	Tch	40		ns
SCK Frequency	Fsck	0	4	MHz
SCK Rise and Fall	Tr,Tf		100	ns
CSN to SCK Setup	Tcc	2		ns
SCK to CSN Hold	Tech	2		ns
CSN Inactive time	Tewh	50		ns
CSN to Output High Z	Tcdz		116	ns

Table 13 SPI timing parameters ( $R_{pull} = 10Kohm$ ,  $C_{load} = 100pF$ ).



PARAMETER	SYMBOL	MIN	MAX	UNITS
Data to SCK Setup	Tdc	2		ns
SCK to Data Hold	Tdh	2		ns
CSN to Data Valid	Tcsd		75	ns
SCK to Data Valid	Tcd		85	ns
SCK Low Time	Tcl	40		ns
SCK High Time	Tch	40		ns
SCK Frequency	Fsck	0	5	MHz
SCK Rise and Fall	Tr,Tf		100	ns
CSN to SCK Setup	Tcc	2		ns
SCK to CSN Hold	Tcch	2		ns
CSN Inactive time	Tcwh	50		ns
CSN to Output High Z	Tcdz		75	ns

Table 14 SPI timing parameters ( $R_{pull} = 50Kohm$ ,  $C_{load} = 50pF$ ).

PARAMETER	SYMBOL	MIN	MAX	UNITS
Data to SCK Setup	Tdc	2		ns
SCK to Data Hold	Tdh	2		ns
CSN to Data Valid	Tcsd		116	ns
SCK to Data Valid	Tcd		121	ns
SCK Low Time	Tcl	40		ns
SCK High Time	Tch	40		ns
SCK Frequency	Fsck	0	4	MHz
SCK Rise and Fall	Tr,Tf		100	ns
CSN to SCK Setup	Tcc	2		ns
SCK to CSN Hold	Tcch	2		ns
CSN Inactive time	Tcwh	50		ns
CSN to Output High Z	Tcdz		116	ns

Table 15 SPI timing parameters ( $R_{pull} = 50Kohm$ ,  $C_{load} = 100pF$ ).





**MEMORY MAP**

All undefined bits in the table below are redundant. They will be read out as '0'.

Address (Hex)	Mnemonic	Bit	Reset Value	Type	Description
00	CONFIG				Configuration Register
	Reserved	7	0	R/W	Only '0' allowed
	MASK_RX_DR	6	0	R/W	Mask interrupt caused by RX_DR 1: Interrupt not reflected on the IRQ pin 0: Reflect RX_DR as active low interrupt on the IRQ pin
	MASK_TX_DS	5	0	R/W	Mask interrupt caused by TX_DS 1: Interrupt not reflected on the IRQ pin 0: Reflect TX_DS as active low interrupt on the IRQ pin
	MASK_MAX_RT	4	0	R/W	Mask interrupt caused by MAX_RT 1: Interrupt not reflected on the IRQ pin 0: Reflect MAX_RT as active low interrupt on the IRQ pin
	EN_CRC	3	1	R/W	Enable CRC. Forced high if one of the bits in the EN_AA is high
	CRCO	2	0	R/W	CRC encoding scheme '0' - 1 byte '1' - 2 bytes
	PWR_UP	1	0	R/W	1: POWER UP, 0:POWER DOWN
	PRIM_RX	0	0	R/W	1: PRX, 0: PTX
01	EN_AA Enhanced ShockBurst™				Enable 'Auto Acknowledgment' Function Disable this functionality to be compatible with nRF2401, see page 29
	Reserved	7:6	00	R/W	Only '00' allowed
	ENAA_P5	5	1	R/W	Enable auto ack. data pipe 5
	ENAA_P4	4	1	R/W	Enable auto ack. data pipe 4
	ENAA_P3	3	1	R/W	Enable auto ack. data pipe 3
	ENAA_P2	2	1	R/W	Enable auto ack. data pipe 2
	ENAA_P1	1	1	R/W	Enable auto ack. data pipe 1
	ENAA_P0	0	1	R/W	Enable auto ack. data pipe 0
02	EN_RXADDR				Enabled RX Addresses
	Reserved	7:6	00	R/W	Only '00' allowed
	ERX_P5	5	0	R/W	Enable data pipe 5.
	ERX_P4	4	0	R/W	Enable data pipe 4.
	ERX_P3	3	0	R/W	Enable data pipe 3.
	ERX_P2	2	0	R/W	Enable data pipe 2.
	ERX_P1	1	1	R/W	Enable data pipe 1.
	ERX_P0	0	1	R/W	Enable data pipe 0.
03	SETUP_AW				Setup of Address Widths (common for all data pipes)
	Reserved	7:2	000000	R/W	Only '000000' allowed
	AW	1:0	11	R/W	RX/TX Address field width '00' - Illegal '01' - 3 bytes '10' - 4 bytes '11' - 5 bytes LSByte will be used if address width below 5 bytes
04	SETUP_RETR				Setup of Automatic Retransmission
	ARD	7:4	0000	R/W	Auto Re-transmit Delay '0000' - Wait 250uS



nRF24L01 Single Chip 2.4 GHz Radio Transceiver

Address (Hex)	Mnemonic	Bit	Reset Value	Type	Description
					'0001' – Wait 500uS '0010' – Wait 750uS ..... '1111' – Wait 4000uS (Delay defined from end of transmission to start of next transmission) <sup>21</sup>
	ARC	3:0	0011	R/W	Auto Retransmit Count '0000' –Re-Transmit disabled '0001' – Up to 1 Re-Transmit on fail of AA ..... '1111' – Up to 15 Re-Transmit on fail of AA
05	RF_CH				RF Channel
	Reserved	7	0	R/W	Only '0' allowed
	RF_CH	6:0	0000010	R/W	Sets the frequency channel nRF24L01 operates on
06	RF_SETUP				RF Setup Register
	Reserved	7:5	000	R/W	Only '000' allowed
	PLL_LOCK	4	0	R/W	Force PLL lock signal. Only used in test
	RF_DR	3	1	R/W	Data Rate '0' – 1 Mbps '1' – 2 Mbps
	RF_PWR	2:1	11	R/W	Set RF output power in TX mode '00' – -18 dBm '01' – -12 dBm '10' – -6 dBm '11' – 0 dBm
	LNA_HCURRE	0	1	R/W	Setup LNA gain
07	STATUS				Status Register (In parallel to the SPI instruction word applied on the MOSI pin, the STATUS register is shifted serially out on the MISO pin)
	Reserved	7	0	R/W	Only '0' allowed
	RX_DR	6	0	R/W	Data Ready RX FIFO interrupt. Set high when new data arrives RX FIFO <sup>22</sup> . Write 1 to clear bit.
	TX_DS	5	0	R/W	Data Sent TX FIFO interrupt. Set high when packet sent on TX. If AUTO_ACK is activated, this bit will be set high only when ACK is received. Write 1 to clear bit.
	MAX_RT	4	0	R/W	Maximum number of TX retries interrupt Write 1 to clear bit. If MAX_RT is set it must be cleared to enable further communication.
	RX_P_NO	3:1	111	R	Data pipe number for the payload available for reading from RX_FIFO 000-101: Data Pipe Number 110: Not Used 111: RX FIFO Empty

<sup>21</sup> This is the time the PTX is in RX listening for an ACK before a re-transmit is made.

<sup>22</sup> The Data Ready interrupt is set by a new packet arrival event. The procedure for handling this interrupt should be: 1) read payload via SPI, 2) clear RX\_DR interrupt, 3) read FIFO\_STATUS to check if there are more payloads available in RX FIFO, 4) if there are more data in RX FIFO, repeat from 1).



nRF24L01 Single Chip 2.4 GHz Radio Transceiver

Address (Hex)	Mnemonic	Bit	Reset Value	Type	Description
	TX_FULL	0	0	R	TX FIFO full flag. 1: TX FIFO full. 0: Available locations in TX FIFO.
08	OBSERVE_TX				Transmit observe register
	PLOS_CNT	7:4	0	R	Count lost packets. The counter is overflow protected to 15, and discontinue at max until reset. The counter is reset by writing to RF_CH. See page 15 and 18.
	ARC_CNT	3:0	0	R	Count resent packets. The counter is reset when transmission of a new packet starts. See page 15.
09	CD				
	Reserved	7:1	000000	R	
	CD	0	0	R	Carrier Detect. See page 18.
0A	RX_ADDR_P0	39:0	0xE7E7E7E7E7	R/W	Receive address data pipe 0. 5 Bytes maximum length. (LSByte is written first. Write the number of bytes defined by SETUP_AW)
0B	RX_ADDR_P1	39:0	0xC2C2C2C2C2	R/W	Receive address data pipe 1. 5 Bytes maximum length. (LSByte is written first. Write the number of bytes defined by SETUP_AW)
0C	RX_ADDR_P2	7:0	0xC3	R/W	Receive address data pipe 2. Only LSB. MSBytes will be equal to RX_ADDR_P1[39:8]
0D	RX_ADDR_P3	7:0	0xC4	R/W	Receive address data pipe 3. Only LSB. MSBytes will be equal to RX_ADDR_P1[39:8]
0E	RX_ADDR_P4	7:0	0xC5	R/W	Receive address data pipe 4. Only LSB. MSBytes will be equal to RX_ADDR_P1[39:8]
0F	RX_ADDR_P5	7:0	0xC6	R/W	Receive address data pipe 5. Only LSB. MSBytes will be equal to RX_ADDR_P1[39:8]
10	TX_ADDR	39:0	0xE7E7E7E7E7	R/W	Transmit address. Used for a PTX device only. (LSByte is written first) Set RX_ADDR_P0 equal to this address to handle automatic acknowledge if this is a PTX device with Enhanced ShockBurst™ enabled. See page 15.
11	RX_PW_P0				
	Reserved	7:6	00	R/W	Only '00' allowed
	RX_PW_P0	5:0	0	R/W	Number of bytes in RX payload in data pipe 0 (1 to 32 bytes). 0 Pipe not used 1 = 1 byte ... 32 = 32 bytes
12	RX_PW_P1				
	Reserved	7:6	00	R/W	Only '00' allowed
	RX_PW_P1	5:0	0	R/W	Number of bytes in RX payload in data pipe 1 (1 to 32 bytes). 0 Pipe not used 1 = 1 byte ... 32 = 32 bytes



**nRF24L01 Single Chip 2.4 GHz Radio Transceiver**

Address (Hex)	Mnemonic	Bit	Reset Value	Type	Description
13	RX_PW_P2				
	Reserved	7:6	00	R/W	Only '00' allowed
	RX_PW_P2	5:0	0	R/W	Number of bytes in RX payload in data pipe 2 (1 to 32 bytes). 0 Pipe not used 1 = 1 byte ... 32 = 32 bytes
14	RX_PW_P3				
	Reserved	7:6	00	R/W	Only '00' allowed
	RX_PW_P3	5:0	0	R/W	Number of bytes in RX payload in data pipe 3 (1 to 32 bytes). 0 Pipe not used 1 = 1 byte ... 32 = 32 bytes
15	RX_PW_P4				
	Reserved	7:6	00	R/W	Only '00' allowed
	RX_PW_P4	5:0	0	R/W	Number of bytes in RX payload in data pipe 4 (1 to 32 bytes). 0 Pipe not used 1 = 1 byte ... 32 = 32 bytes
16	RX_PW_P5				
	Reserved	7:6	00	R/W	Only '00' allowed
	RX_PW_P5	5:0	0	R/W	Number of bytes in RX payload in data pipe 5 (1 to 32 bytes). 0 Pipe not used 1 = 1 byte ... 32 = 32 bytes
17	FIFO_STATUS				FIFO Status Register
	Reserved	7	0	R/W	Only '0' allowed
	TX_REUSE	6	0	R	Reuse last sent data packet if set high. The packet will be repeatedly resent as long as CE is high. TX_REUSE is set by the SPI instruction REUSE_TX_PL, and is reset by the SPI instructions W_TX_PAYLOAD or FLUSH TX
	TX_FULL	5	0	R	TX FIFO full flag. 1: TX FIFO full. 0: Available locations in TX FIFO.
	TX_EMPTY	4	1	R	TX FIFO empty flag. 1: TX FIFO empty. 0: Data in TX FIFO.
	Reserved	3:2	00	R/W	Only '00' allowed
	RX_FULL	1	0	R	RX FIFO full flag. 1: RX FIFO full. 0: Available locations in RX FIFO.
	RX_EMPTY	0	1	R	RX FIFO empty flag. 1: RX FIFO empty. 0: Data in RX FIFO.
N/A	TX_PLD	255:0	X	W	Written by separate SPI command TX data payload register 1 - 32 bytes. This register is implemented as a FIFO with 3 levels. Used in TX mode only
N/A	RX_PLD	255:0	X	R	Written by separate SPI command RX data payload register. 1 - 32 bytes. This register is implemented as a FIFO with 3 levels. All receive channels share the same FIFO

Table 16 Memory map of nRF24L01



## Enhanced ShockBurst Link - Minimum Configuration and Communication Example

### Configuration

#### PTX:

- Power up PTX:  
Write 0x0a to the CONFIG register.  
Note: The device will be configured as a PTX device with the default settings. These settings may be found in the Memory Map table as reset values.

#### PRX:

- Power up the PRX device and set PRIM\_RX bit to 1:  
Write 0x0b to the CONFIG register.
- Set Payload Width, (e.g. 8 bytes for data pipe 0):  
Write 8 to RX\_PW\_P0
- Set CE = 1, and the PRX will be ready to receive 8 byte packets at the default address and frequency.

### Communication:

#### PTX:

- Upload 8 byte payload to TX FIFO of PTX.  
Execute SPI instruction: W\_TX\_PAYLOAD <payload>
- Pulse CE high.
- Wait for interrupt (IRQ pin low).
- Check status register for TX\_DS interrupt (data sent)
- Optional: Power Down mode can be entered after packet transmit:  
Write 0x08 to the CONFIG register.

#### PRX:

- Set CE high.
- Wait for interrupt (IRQ pin low).
- Check status register for RX\_DR interrupt (data ready)
- Read RX Payload:  
Execute SPI instruction: R\_RX\_PAYLOAD
- Optional: Standby-I mode can be entered after packet receive by setting CE low.  
Note: The PRX will send an acknowledgement packet to the PTX after successful receive. This will be done even if the CE pin is set low immediately after RX\_DR interrupt. Though it is recommended to keep CE high long enough to capture potential retransmits from PTX in case of lost acknowledges. (PRX also acknowledges retransmitted packets.) If PRX is turned off immediately and the (in this case only) acknowledgement packet is lost, the PTX will retransmit the packet repeatedly until Auto Retransmit Count (ARD) is reached, thus dissipating unnecessary power.
- Optional: Power Down mode can be entered from Standby-I mode:  
Write 0x09 to the CONFIG register.



### Configuration for compatibility with nRF24XX

How to setup nRF24L01 to receive from an nRF2401/nRF2402/nRF24E1/nRF24E2:

- Use same CRC configuration as the nRF2401/nRF2402/nRF24E1/nRF24E2 uses
- Set the PWR\_UP and PRIM\_RX bit to 1
- Disable auto acknowledgement on the data pipe that will be addressed
- Use the same address width as the PTX device
- Use the same frequency channel as the PTX device
- Select data rate 1Mbit/s on both nRF24L01 and nRF2401/nRF2402/nRF24E1/nRF24E2
- Set correct payload width on the data pipe that will be addressed
- Set CE high

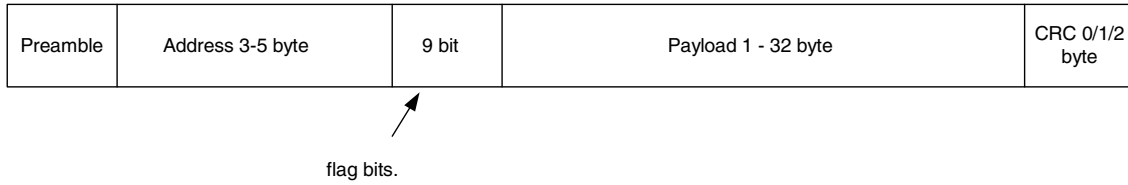
How to setup nRF24L01 to transmit to an nRF2401/nRF24E1:

- Use same CRC configuration as the nRF2401/nRF2402/nRF24E1/nRF24E2 uses
- Set the PRIM\_RX bit to 0
- Set the Auto Retransmit Count to 0 to disable the auto retransmit functionality
- Use the same address width as the nRF2401/nRF2402/nRF24E1/nRF24E2 uses
- Use the same frequency channel as the nRF2401/nRF2402/nRF24E1/nRF24E2 uses
- Select data rate 1Mbit/s on both nRF24L01 and nRF2401/nRF2402/nRF24E1/nRF24E2
- Set PWR\_UP high
- Clock in a payload that has the same length as the nRF2401/nRF2402/nRF24E1/nRF24E2 is configured to receive
- Pulse CE to send the packet



**PACKET DESCRIPTION**

An Enhanced ShockBurst™ packet with payload (1-32 bytes).



A ShockBurst™ packet compatible to nRF2401/nRF2402/nRF24E1/nRF24E2 devices.



Preamble	<ul style="list-style-type: none"> <li>Preamble is used to detect 0 and 1 levels. It is stripped off (RX) and added (TX) by nRF24L01.</li> </ul>
Address	<ul style="list-style-type: none"> <li>The address field contains the receiver address.</li> <li>The address can be 3, 4 or 5 bytes wide</li> <li>The address fields can be individually configured for all RX channels and the TX channel</li> <li>Address is automatically removed from received packets.<sup>23</sup></li> </ul>
Flags	<ul style="list-style-type: none"> <li>PID: Packet Identification. 2 bits that is incremented for each new payload</li> <li>7 bits reserved for packet compatibility with future products</li> <li>Not used when compatible to nRF2401/nRF24E1</li> </ul>
Payload	<ul style="list-style-type: none"> <li>1 - 32 bytes wide.</li> </ul>
CRC	<ul style="list-style-type: none"> <li>The CRC is optional.</li> <li>0-2 bytes wide CRC</li> <li>The polynomial for 8 bits CRC check is <math>X^8 + X^2 + X + 1</math></li> <li>The polynomial for 16 bits CRC check is <math>X^{16} + X^{12} + X^5 + 1</math>.</li> </ul>

Table 17 Data packet description

<sup>23</sup> Suggested use of addresses. In general more bits in the address gives less false detection, which in the end may give lower data Packet-Error-Rate (PER).

- A. The address made by (5, 4, or 3) equal bytes are not recommended because it in general will make the packet-error-rate increase.
- B. Addresses where the level shift only one time (i.e. 000FFFFFFF) could often be detected in noise that may give a false detection, which again may give raised packet-error-rate.
- C. Addresses as a continuation of the preamble (hi-low toggling) will raise the Packet-Error-Rate (PER).



**IMPORTANT TIMING DATA**

The following timing applies for operation of nRF24L01.

nRF24L01 Timing Information

nRF24L01 timing	Max.	Min.	Name	Comments
Power Down → Standby mode	1.5ms		Tpd2stby	Internal crystal oscillator
Power Down → Standby mode	150µs		Tpd2stby	With external clock
Standby modes → TX/RX mode	130µs		Tstby2a	
Minimum CE high		10µs	Thce	
Delay from CE pos. edge to CSN low		4µs	Tpece2csn	

Table 18 Operational timing of nRF24L01

When the nRF24L01 is in power down it must always settle in Standby for 1.5ms before it can enter one of the TX or RX modes. If an *external clock* is used this delay is reduced to 150µs, see Table 18. Note that the configuration word will be lost if VDD is turned off and that the device then must be configured before going to one of the TX or RX mode.

Enhanced ShockBurst™ timing

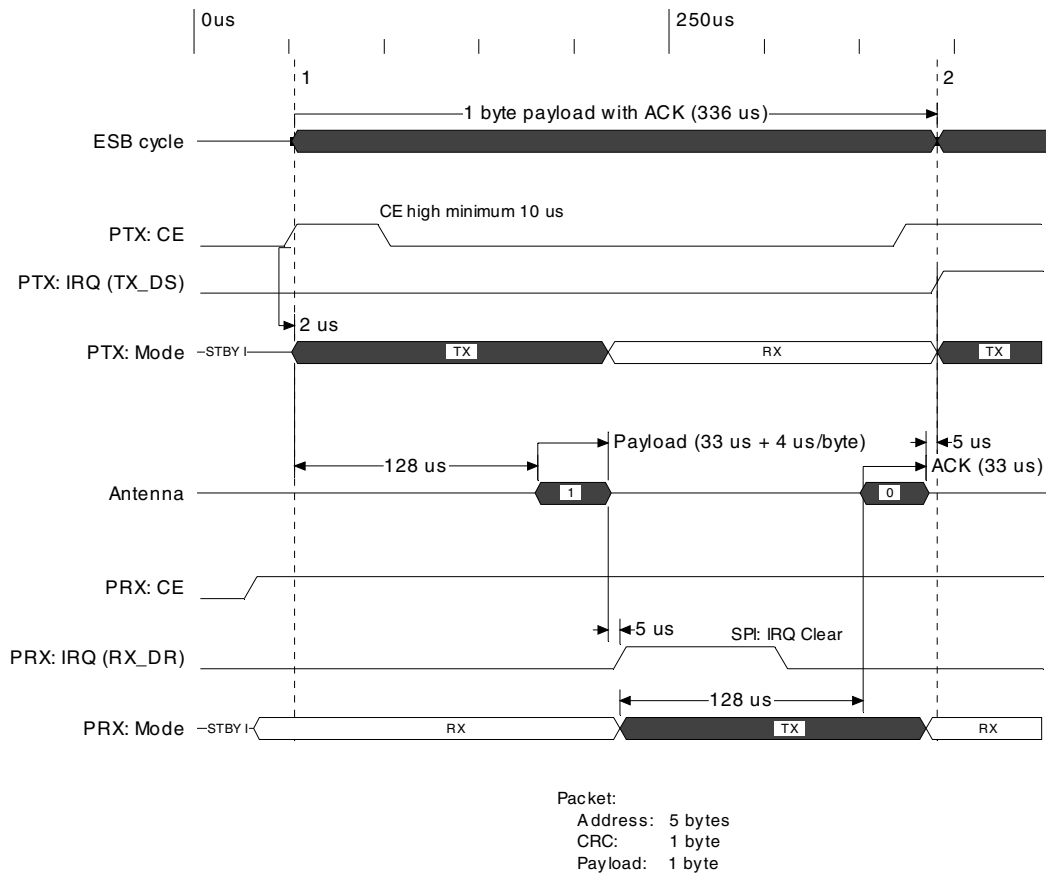


Figure 11 Timing of Enhanced ShockBurst™ for one packet upload (2Mbps).





## **nRF24L01 Single Chip 2.4 GHz Radio Transceiver**

---

In Figure 11 the sending of one packet and the acknowledgement of this packet is shown. The loading of payload to the PTX device is not shown in the figure. The PRX device is turned into RX mode (CE=1), and the PTX device is set into TX mode (CE=1 for minimum 10  $\mu$ s). After 130  $\mu$ s the transmission starts and is finished after another 37  $\mu$ s (1 byte payload). The transmission ends, and the PTX device is automatically turned around to RX mode to wait for the acknowledgement from the PRX device. After the PTX device has received the acknowledgement it gives an interrupt to the MCU (IRQ (TX\_DS) =>TX-data sent). After the PRX device has received the packet it gives an interrupt to the MCU (IRQ (RX\_DR) =>RX-data ready).



**PERIPHERAL RF INFORMATION**

**Antenna output**

The ANT1 & ANT2 output pins provide a balanced RF output to the antenna. The pins must have a DC path to VDD, either via a RF choke or via the center point in a dipole antenna. A load of 15Ω+j88Ω (simulated values) is recommended for maximum output power (0dBm). Lower load impedance (for instance 50 Ω) can be obtained by fitting a simple matching network between the load and ANT1 and ANT2.

**Crystal Specification**

Frequency accuracy includes initial accuracy (tolerance) and stability over temperature and aging.

Frequency	C <sub>L</sub>	ESR max	C <sub>0max</sub>	Frequency accuracy
16MHz	8 – 16 pF	100 Ω	7.0pF	±60ppm

Table 19 Crystal specification of the nRF24L01

To achieve a crystal oscillator solution with low power consumption and fast start-up time, it is recommended to specify the crystal with a low value of crystal load capacitance. Specifying a lower value of crystal parallel equivalent capacitance, C<sub>0</sub> will also work, but this can increase the price of the crystal itself. Typically C<sub>0</sub>=1.5pF at a crystal specified for C<sub>0max</sub>=7.0pF.

The crystal load capacitance, C<sub>L</sub>, is given by:

$$C_L = \frac{C_1 \cdot C_2'}{C_1 + C_2'}, \text{ where } C_1' = C_1 + C_{PCB1} + C_{I1} \text{ and } C_2' = C_2 + C_{PCB2} + C_{I2}$$

C<sub>1</sub> and C<sub>2</sub> are SMD capacitors as shown in the application schematics. C<sub>PCB1</sub> and C<sub>PCB2</sub> are the layout parasitic on the circuit board. C<sub>I1</sub> and C<sub>I2</sub> are the capacitance seen into the XC1 and XC2 pin respectively; the value is typical 1pF.

**nRF24L01 sharing crystal with a micro controller.**

When using a micro controller to drive the crystal reference input XC1 of the nRF24L01 transceiver some rules must be followed.

**Crystal parameters:**

When the micro controller drives the nRF24L01 clock input, the requirement of load capacitance C<sub>L</sub> is set by the micro controller only. The frequency accuracy of ±60 ppm is still required to get a functional radio link. The nRF24L01 will load the crystal by 0.5pF at XC1 in addition to the PBC routing.



### Input crystal amplitude & Current consumption

The input signal should not have amplitudes exceeding any rail voltage. Exceeding rail voltage will excite the ESD structure and the radio performance is degraded below specification. If testing the nRF24L01 with a RF source with no DC offset as the reference source, the input signal will go below the ground level, which is not acceptable.

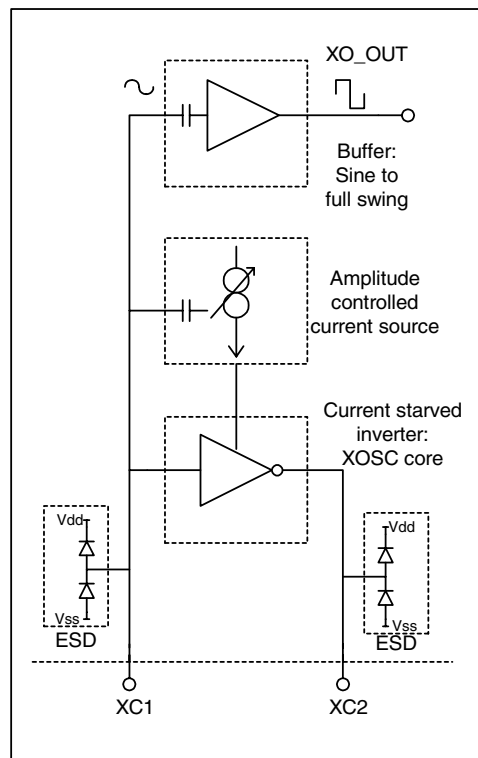


Figure 12 Principle of crystal oscillator

The nRF24L01 crystal oscillator is amplitude regulated. To achieve low current consumption and also good signal-to-noise ratio when using an external clock, it is recommended to use an input signal larger than 0.4 V-peak. When clocked externally, XC2 is not used and can be left as an open pin.



### PCB layout and de-coupling guidelines

A well-designed PCB is necessary to achieve good RF performance. Keep in mind that a poor layout may lead to loss of performance or functionality, if due care is not taken. A fully qualified RF-layout for the nRF24L01 and its surrounding components, including matching networks, can be downloaded from [www.nordicsemi.no](http://www.nordicsemi.no).

A PCB with a minimum of two layers including a ground plane is recommended for optimum performance. The nRF24L01 DC supply voltage should be de-coupled as close as possible to the VDD pins with high performance RF capacitors, see Table 20. It is preferable to mount a large surface mount capacitor (e.g. 4.7 $\mu$ F tantalum) in parallel with the smaller value capacitors. The nRF24L01 supply voltage should be filtered and routed separately from the supply voltages of any digital circuitry.

Long power supply lines on the PCB should be avoided. All device grounds, VDD connections and VDD bypass capacitors must be connected as close as possible to the nRF24L01 IC. For a PCB with a topside RF ground plane, the VSS pins should be connected directly to the ground plane. For a PCB with a bottom ground plane, the best technique is to have via holes as close as possible to the VSS pads. Minimum one via hole should be used for each VSS pin.

Full swing digital data or control signals should not be routed close to the crystal or the power supply lines.



APPLICATION EXAMPLE

nRF24L01 with single ended matching network crystal, bias resistor, and decoupling capacitors.

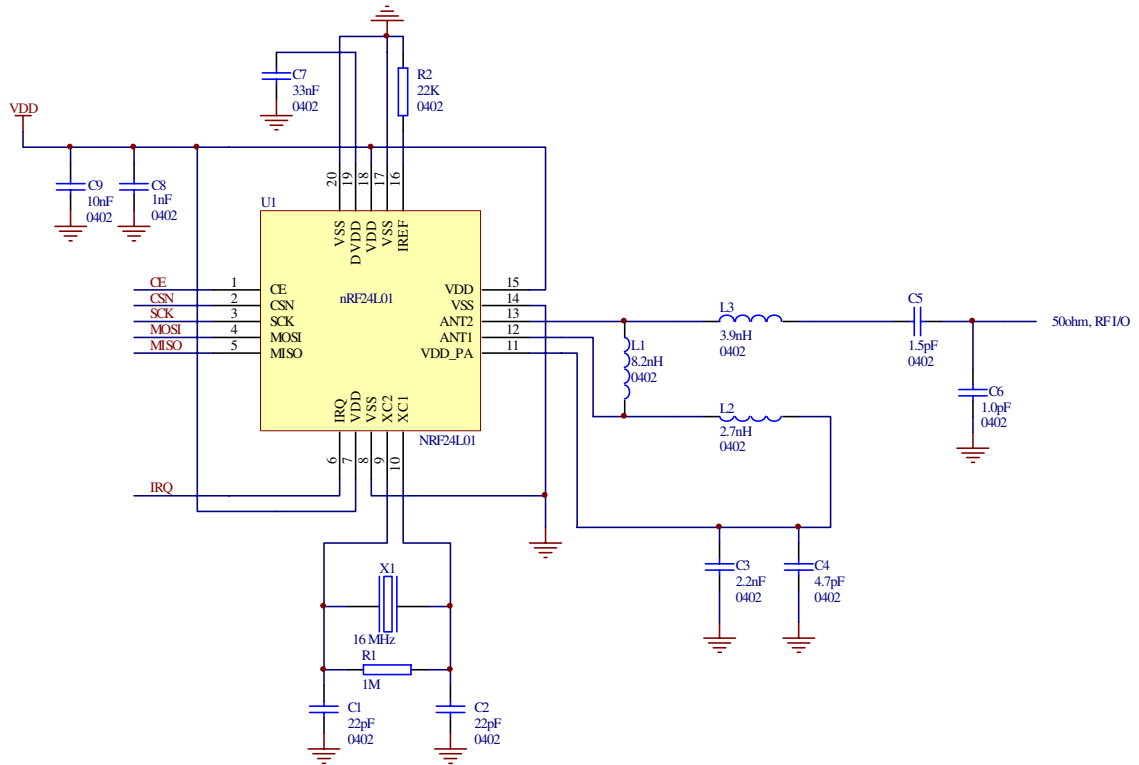


Figure 13 nRF24L01 schematic for RF layouts with single ended 50Ω RF output.

Part	Designator	Footprint	Description
22pF <sup>24</sup>	C1	0402	NPO, +/- 2%, 50V
22pF <sup>24</sup>	C2	0402	NPO, +/- 2%, 50V
2.2nF	C3	0402	X7R, +/- 10%, 50V
4.7pF	C4	0402	NPO, +/- 0.25 pF, 50V
1.5pF	C5	0402	NPO, +/- 0.1 pF, 50V
1,0pF	C6	0402	NPO, +/- 0.1 pF, 50V
33nF	C7	0402	X7R, +/- 10%, 50V
1nF	C8	0402	X7R, +/- 10%, 50V
10nF	C9	0402	X7R, +/- 10%, 50V
8,2nH	L1	0402	chip inductor +/- 5%
2.7nH	L2	0402	chip inductor +/- 5%
3,9nH	L3	0402	chip inductor +/- 5%
1M	R1	0402	+/-10%
22K	R2	0402	+/- 1 %
nRF24L01	U1	QFN20 4x4	
16MHz	X1		+/-60ppm, C <sub>L</sub> =12pF <sup>24</sup>

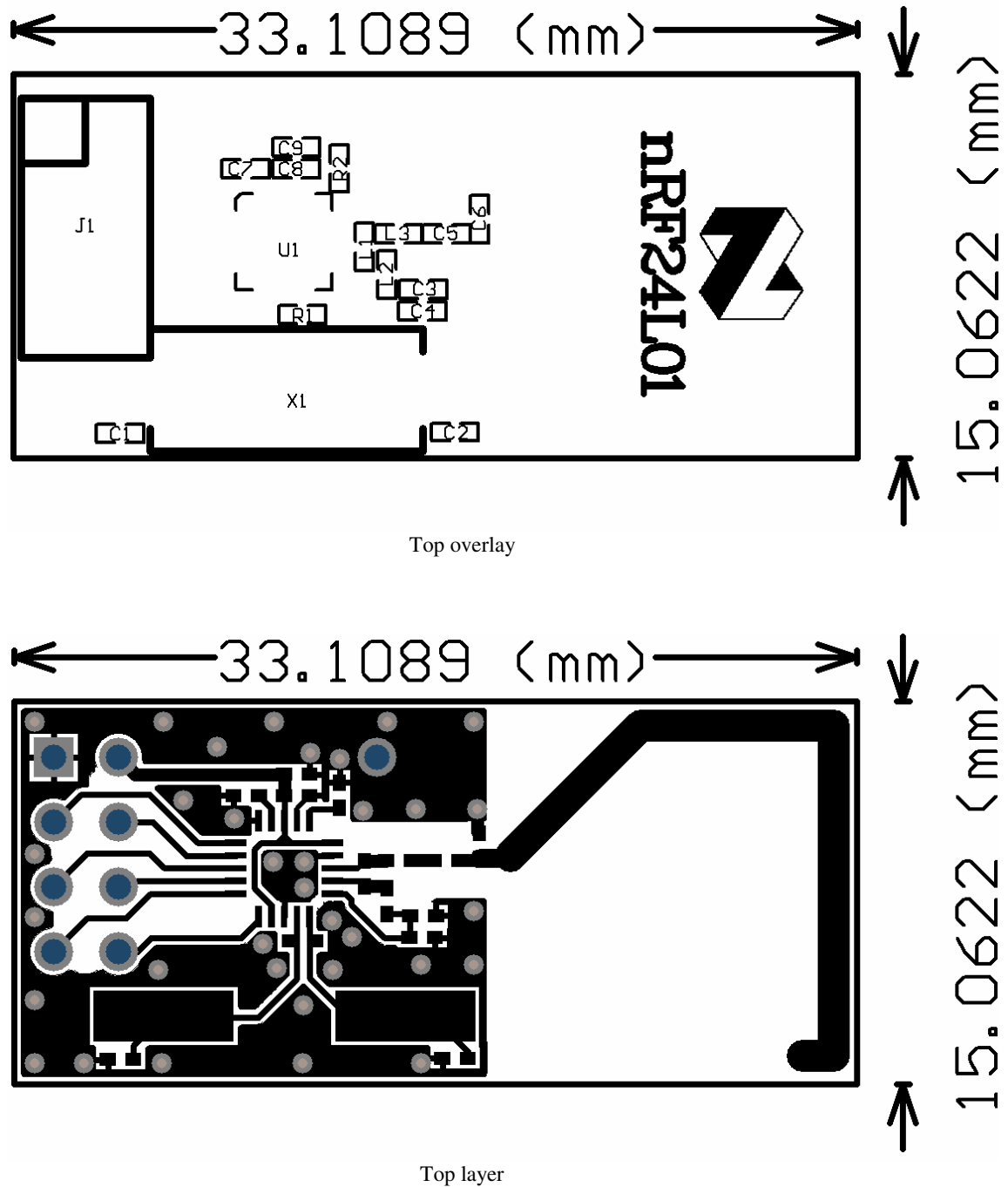
Table 20 Recommended components (BOM) in nRF24L01 with antenna matching network

<sup>24</sup> C1 and C2 must have values that match the crystals load capacitance, C<sub>L</sub>.



PCB layout examples

Figure 14 shows a PCB layout example for the application schematic in Figure 13. A double-sided FR-4 board of 1.6mm thickness is used. This PCB has a ground plane on the bottom layer. Additionally, there are ground areas on the component side of the board to ensure sufficient grounding of critical components. A large number of via holes connect the top layer ground areas to the bottom layer ground plane.



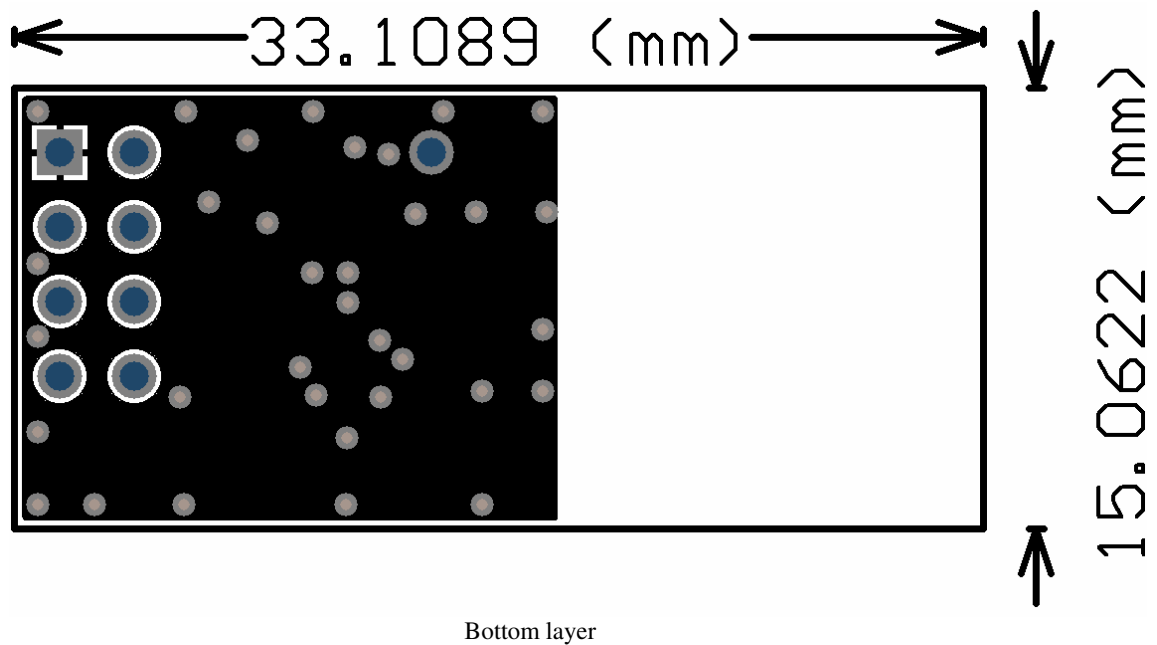
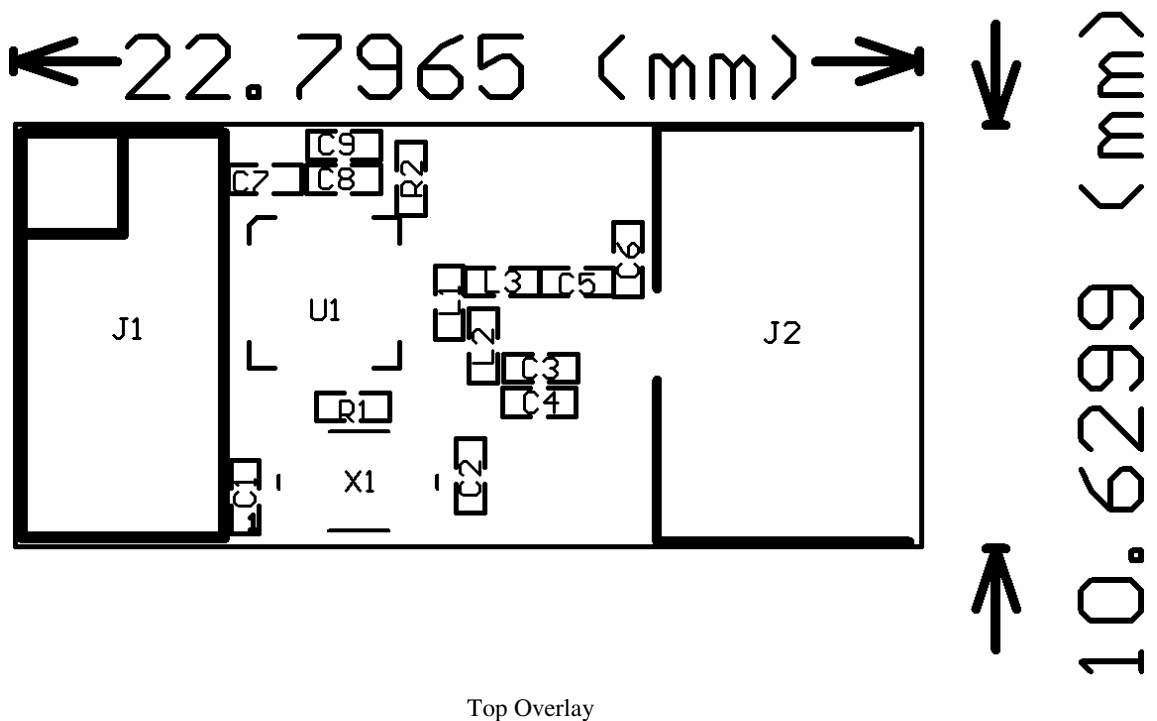


Figure 14 nRF24L01 RF layout with single ended connection to PCB antenna and 0402 size passive components

The next figure (Figure 15) is for the SMA output to have a board for direct measurements at a 50Ω SMA connector.



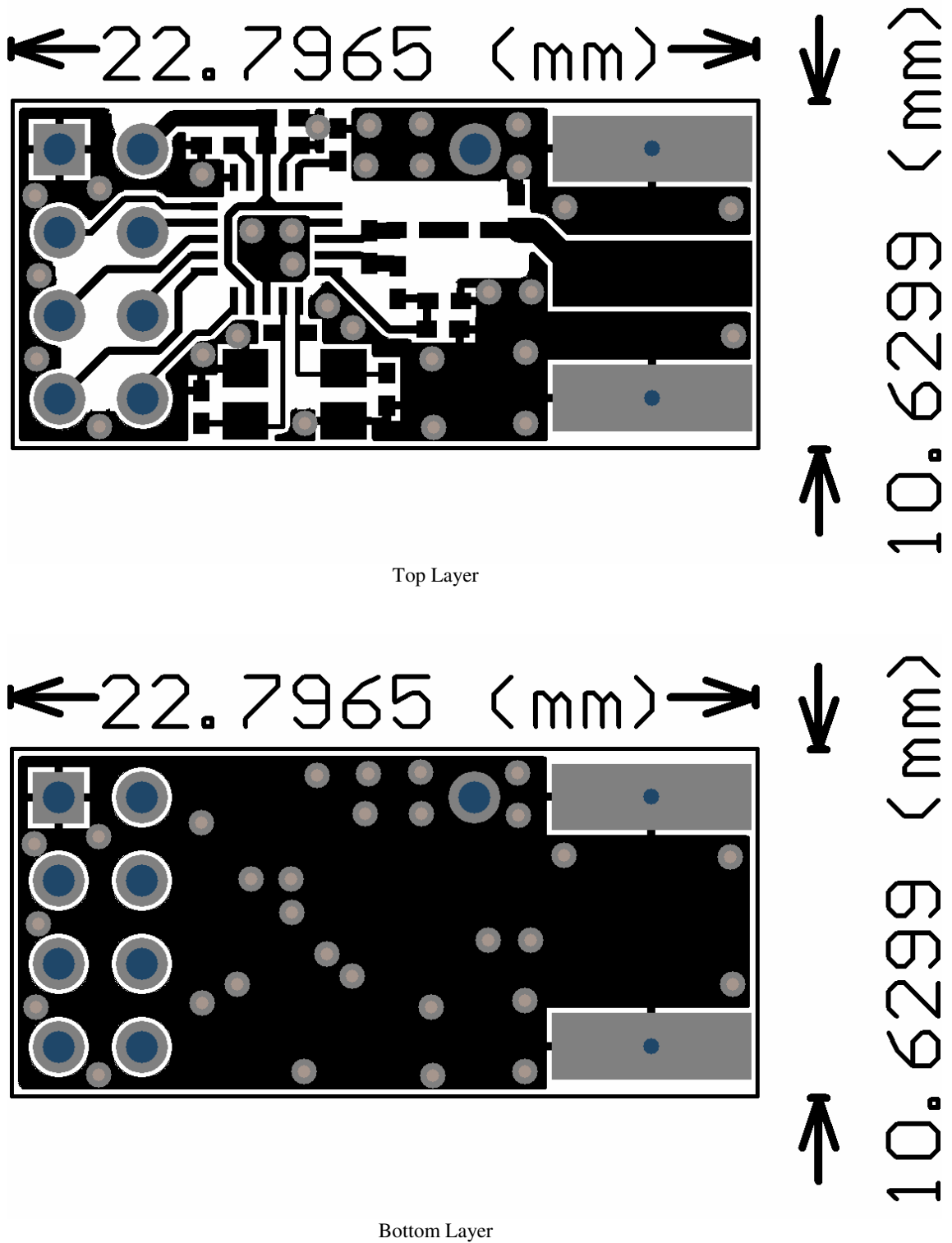


Figure 15 Module with OFM crystal and SMA connector





**DEFINITIONS**

<b>Data sheet status</b>	
Objective product specification	This data sheet contains target specifications for product development.
Preliminary product specification	This data sheet contains preliminary data; supplementary data may be published from Nordic Semiconductor ASA later.
Product specification	This data sheet contains final product specifications. Nordic Semiconductor ASA reserves the right to make changes at any time without notice in order to improve design and supply the best possible product.
<b>Limiting values</b>	
Stress above one or more of the limiting values may cause permanent damage to the device. These are stress ratings only and operation of the device at these or at any other conditions above those given in the Specifications sections of the specification is not implied. Exposure to limiting values for extended periods may affect device reliability.	
<b>Application information</b>	
Where application information is given, it is advisory and does not form part of the specification.	

Table 21. Definitions

Nordic Semiconductor ASA reserves the right to make changes without further notice to the product to improve reliability, function or design. Nordic Semiconductor ASA does not assume any liability arising out of the application or use of any product or circuits described herein.

**LIFE SUPPORT APPLICATIONS**

These products are not designed for use in life support appliances, devices, or systems where malfunction of these products can reasonably be expected to result in personal injury. Nordic Semiconductor ASA customers using or selling these products for use in such applications do so at their own risk and agree to fully indemnify Nordic Semiconductor ASA for any damages resulting from such improper use or sale.

Preliminary Product Specification: Revision Date: 28.09.2006.

Data sheet order code: 280906-nRF24L01

All rights reserved ©. Reproduction in whole or in part is prohibited without the prior written permission of the copyright holder.

# PRODUCT SPECIFICATION



**nRF24L01 Single Chip 2.4 GHz Radio Transceiver**

---

## YOUR NOTES



**Nordic Semiconductor ASA – World Wide Distributors**

**For Your nearest dealer, please see <http://www.nordicsemi.no>**



**Main Office:**

Vestre Rosten 81, N-7075 Tiller, Norway  
Phone: +47 72 89 89 00, Fax: +47 72 89 89 89

**Visit the Nordic Semiconductor ASA website at <http://www.nordicsemi.no>**

---

