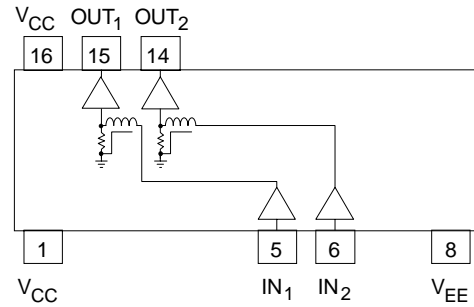


MECH2B Series

10KH ECL Logic Buffered Dual Independent Delays

Also in 10K ECL: MEC2B Series
For 10KH Triples: MECLH Series

MECH2B Style Schematic



OPERATING SPECIFICATIONS

| | |
|-------------------------------------|---------------------------|
| V_{EE} Supply Voltage | -5.20 ± 0.25 VDC |
| I_{EE} Supply Current | 65mA typ, 105 mA max. |
| Logic "1" Input: | |
| V_{IH} | -1.07 V min. |
| I_{IH} | 425 μ A max. |
| Logic "0" Input: | |
| V_{IL} | -1.48 V max. |
| I_{IL} | 0.5 μ A max. |
| V_{OH} Logic "1" Voltage Out | -1.02 V min. |
| V_{OL} Logic "0" Voltage Out | -1.60 V max. |
| T_{RO} Output Rise Time | < 3.00 ns typ. |
| Minimum Input Pulse Width, P_{WI} | 100% of total delay, min. |
| Operating Temperature Range | 0° to +75°C |
| Storage Temperature Range | -65° to +150°C |

Electrical Specifications at 25°C)

| Delay Tolerance (ns) | 10KH ECL Dual P/N |
|----------------------|-------------------|
| 3 ± 1.0 | MECH2B-3 |
| 4 ± 1.0 | MECH2B-4 |
| 5 ± 1.0 | MECH2B-5 |
| 6 ± 1.0 | MECH2B-6 |
| 7 ± 1.0 | MECH2B-7 |
| 8 ± 1.0 | MECH2B-8 |
| 9 ± 1.0 | MECH2B-9 |
| 10 ± 1.0 | MECH2B-10 |
| 11 ± 1.0 | MECH2B-11 |
| 12.5 ± 1.0 | MECH2B-12P5 |

| Delay Tolerance (ns) | 10KH ECL Dual P/N |
|----------------------|-------------------|
| 15 ± 1.0 | MECH2B-15 |
| 20 ± 1.0 | MECH2B-20 |
| 25 ± 2.0 | MECH2B-25 |
| 30 ± 2.0 | MECH2B-30 |
| 35 ± 2.0 | MECH2B-35 |
| 40 ± 2.0 | MECH2B-40 |
| 50 ± 2.5 | MECH2B-50 |
| 60 ± 3.0 | MECH2B-60 |
| 75 ± 3.75 | MECH2B-75 |
| 100 ± 5.0 | MECH2B-100 |

TEST CONDITIONS (Measurements made at 25°C)

| | |
|---|-------------------|
| V_{EE} Supply Voltage | -5.20VDC |
| Input Pulse Voltage | -.80V to -1.80V |
| Input Pulse Rise Time | 3.00ns max. |
| Input Pulse Period | 4.0 x Total Delay |
| Input Pulse Duty Cycle | 50% |
| Outputs terminated through 100 Ω to -2.00 Vdc. | |

Package Dimensions: 16 Pin Dual-in-line (Unused leads removed)

Inches (mm)

