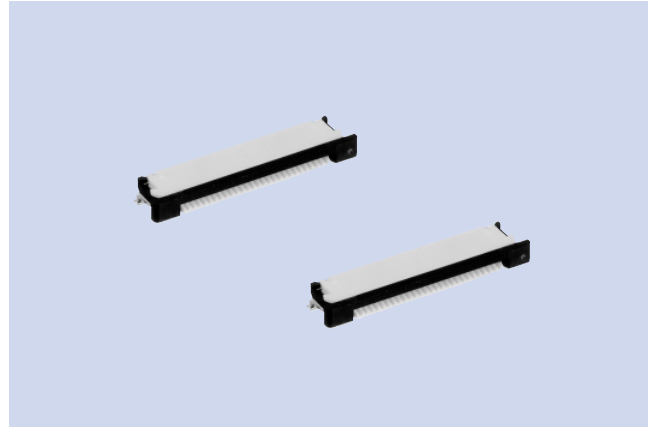


0.5mm Density ZIF FPC Connectors CEM-C77, C78 Series

FEATURES

1. These are very low profile connectors for FPC. (Flexible Printed Circuit) with surface mount contacts.
2. Microminiaturized ZIF (Zero Insertion Force) type.
3. Both top contact (CEM-C77 series) and bottom contact (CEM-C78 series) types are available.



HOW TO ORDER

C77-□□□-05-0-HJGE

1 2 3 4 5

- 1 Series No. (C77 : Top contact type, C78 : Bottom contact type)
- 2 No. of contacts (006 : 6pins)
- 3 Housing material (05 : Nylon resin)
- 4 UL grade (0 : UL94V-0)
- 5 Running No. assigned by us

SPECIFICATIONS

ELECTRICAL CHARACTERISTICS & MECHANICAL CHARACTERISTICS

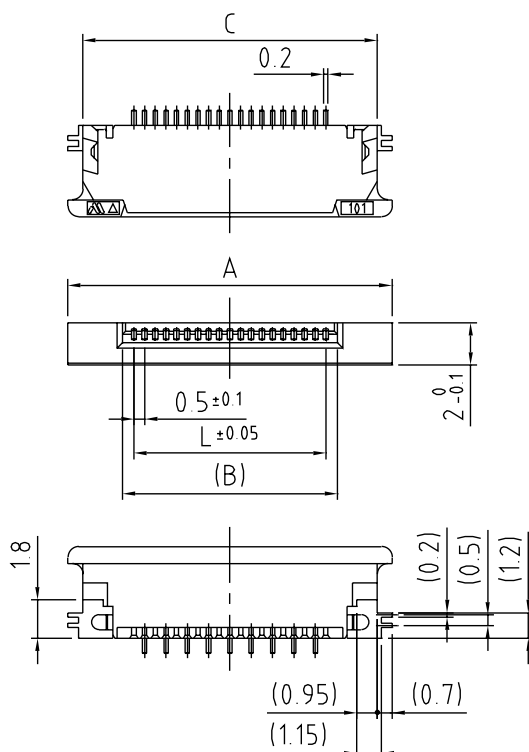
Rated Voltage	AC 50V (rms)
Rated Current	0.5A
Withstanding Voltage	200V AC (rms) 1minute
Insulation Resistance	50MΩ min. (at 500V DC)
Contact Resistance	30mΩ max.
Applicable FPC Thickness	0.3±0.05mm

MATERIAL & FINISH

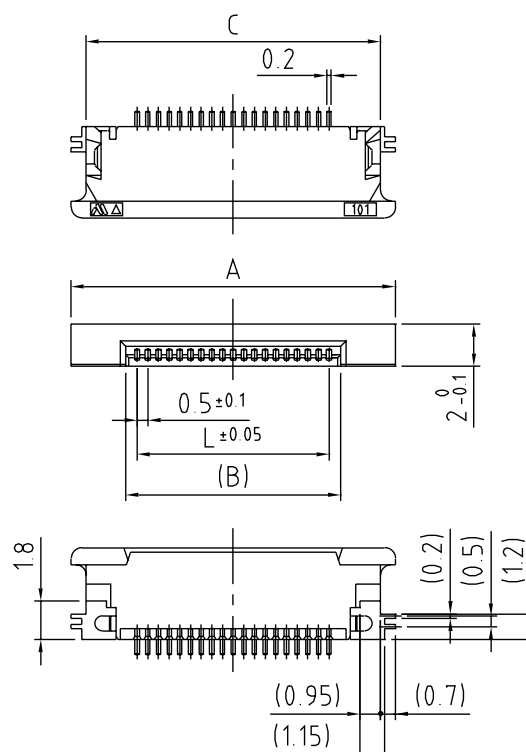
Component Parts	Material	Finish
Housing	Nylon resin	—
Contact	Copper Alloy	Solder plating
Cover	Nylon resin	—
Wing	Copper Alloy	Solder plating

DIMENSIONS

CEM-C77 Series



CEM-C78 Series



No. of Contacts	Part No.	Measurement			
		L	A	B	C
6	C77,C78-006-050-HJGE	2.5	8.7	3.6	7.3
8	C77,C78-008-050-HJGE	3.5	9.7	4.6	8.3
10	C77,C78-010-050-HJGE	4.5	10.7	5.6	9.3
12	C77,C78-012-050-HJGE	5.5	11.7	6.6	10.3
15	C77,C78-015-050-HJGE	7.0	13.2	8.1	11.8
16	C77,C78-016-050-HJGE	7.5	13.7	8.6	12.3
18	C77,C78-018-050-HJGE	8.5	14.7	9.6	13.3
20	C77,C78-020-050-HJGE	9.5	15.7	10.6	14.3
22	C77,C78-022-050-HJGE	10.5	16.7	11.6	15.3
24	C77,C78-024-050-HJGE	11.5	17.7	12.6	16.3
26	C77,C78-026-050-HJGE	12.5	18.7	13.6	17.3
28	C77,C78-028-050-HJGE	13.5	19.7	14.6	18.3

Unit : mm

*50-contact connectors also are available. Please inquire regarding details.